

THE "BEST" FOOT POWDER

IS
Anti-Swell
Anti-Pain
Anti-Tired
Anti-Perspiring
Anti-Corn

DOES ALL AND MORE THAN ANY OTHER FOOT POWDER
25 Cents

L. T. Best
Druggist

FOR SALE

4 BRICK VENEER HOUSES — 6 rooms each, 2 piece bath, electricity and gas, good yards, central location. Will yield over 10% as investment.
\$4,000—Brick, 8 rooms, 2 piece bath, hot air, electric light and gas, right of way. Central.
\$7,000—Brick, 9 rooms, all modern, h.w. floors.
\$5,000—Brick, 6 rooms, modern improvements, garage.
\$8,000—Brick, 9 rooms; all improvements, garage, large garden, fruit and flowers, good location.
\$8,500—Brick, 9 rooms; all modern; central.
\$3,000 — Frame, 6 rooms, Semi-Bungalow; improvements.
FURNISHED HOUSES TO RENT.
Bateman's Real Estate
111 1/2 BROCK ST., KINGSTON
Telephone 1925F.

No gift is more treasured than

A BEAUTIFUL DIAMOND

Whether you wish to see these lustrous stones

Loose,
Mounted in Rings,
Bar Pins,
or
Necklets

Your desire will be met from our stock. The size of Diamond can be chosen according to price desired.

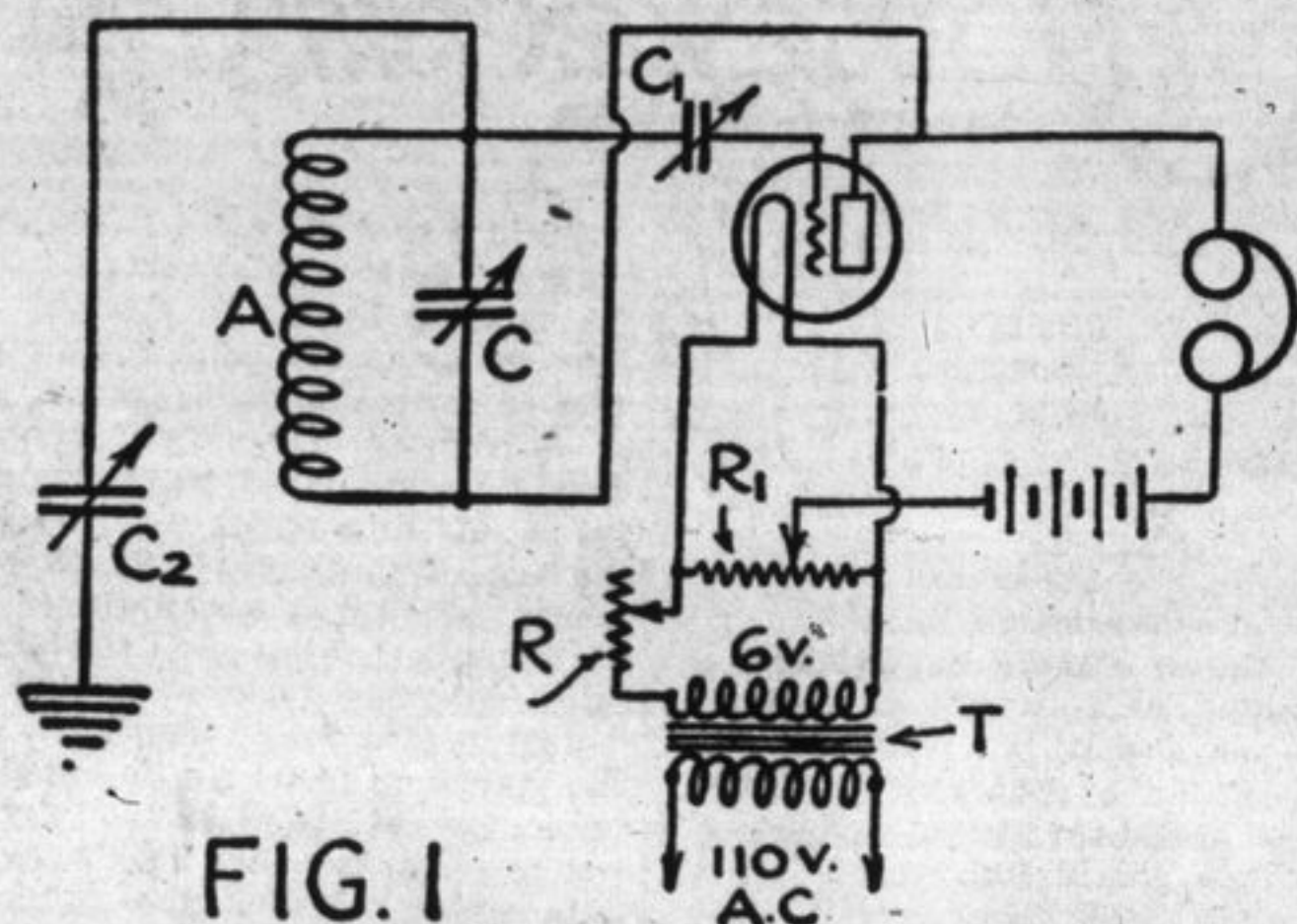


FIG. 1

A No-Antenna Receiver

"Antenna-less" circuits are never as satisfactory as circuits which make use of a good, well-located aerial. Most "no-antenna" hook-ups pick up their signals on the coils of the tuner itself, and it is very apparent that the very small antenna represented by these coils will not begin to pick up the energy that a larger loop or outside antenna would.

Of course, it would be entirely possible to build a five or six tube set which, on account of the great amount of amplification incorporated, would, on no antenna, beat the results obtained with a one-tube set on an outside antenna. But what we are stressing is that no matter how well a set will work with no antenna, it is a sure thing that it will work much better with some form of aerial, whether this is a loop, lampcord along the walls, or a regular outside installation.

For those interested in antennaless circuits, we present the one shown. The main feature of this set is that it is not strictly a no-antenna outfit. We shall explain this statement in a moment.

Referring to the diagram, "C-2" is a condenser in series with the ground connection, and may be a .0005 mid. variable. Coil "A" is the main tuning element, and may consist of 45 turns of No. 22 d.c.c. wire on a four-inch tube. The tuning condenser "C" is another .0005 mid. variable. Condenser "C-1" is still another of the same size, its function being to control re-

generation and oscillation. No grid leak is shown, but may be connected from the grid to the filament in the conventional manner. Make it variable, too.

The transformer "T" is an ordinary bell-ringing transformer, with the 6-volt side connected to supply the filament source of supply. Note that the negative of the "B" battery is brought back to the arms of a 200-ohm potentiometer "R-1". When the set is turned on, this arm is adjusted until the a.c. hum is minimized.

Resistance "R" is the usual filament rheostat. Be sure and place it between the potentiometer and the filament.

The secret of the hook-up is that our a.c. power lines, while supplying the filament current, at the same time have a very decided antenna effect, so that while our set is an antenna-less one to a certain extent, it nevertheless is furnished with an aerial through the power lines.

It is not advisable to use more than one step of audio amplification with the outfit, as the a.c. hum will be amplified so much as to be objectional if this is done. Use one step of audio only—which can be lighted off the same bell-ringing transformer—or get along without any audio amplifier at all.

It will pay the experimenter to try out this set, and possibly discover some improvements to fit his particular case.

RADIO BROADCASTING

The following is a list of radio stations and their broadcasting programmes which may be heard locally on Tuesday:

WJZ (455) New York City.
1 p.m.—Hotel Ambassador Trio.
4.15 p.m.—"Home Beautiful," by Dorothy Ethel Walsh.
4.30 p.m.—Ruby Ennis, soprano.
4.45 p.m.—Harold Weisman, violinist; Nettie Harmatz, accompanist.
5 p.m.—Ruby Ennis, soprano.
5.15 p.m.—Harold Weisman, violinist.
7.30 p.m.—Nathan Frank's Hotel McAlpin Concert orchestra.
8.30 p.m.—Stadium concert by the New York Philharmonic orchestra.
10.45 p.m.—Roger Wolfe Kahn and his Roger Wolfe Hotel Biltmore Cascades orchestra.

WEAF (492) New York City.
11-12 a.m.—American music illustrated by songs by Bertha Van Vliet, soprano, and William J. Falk, pianist, under the auspices of the lecture bureau of the board of education. Motion picture forecast by Adelaide Woodard. Market and weather reports.
4-6 p.m.—Kitty Borchmann, lyric soprano; Ida Hoffman, pianist; Hye Sorenson, Danish baritone, accompanied by Ingeborg Svendsen June. Stories for children.
6-10 p.m.—Dinner music from the Rose room of the Hotel Waldorf-Astoria; Ruth M. Donaldson, soprano; Francis Moore, pianist. Health talk by Dr. C. J. Brophy; Eight Volga Singers, under the direction of Alex Sashko.

WBZ (337) Springfield, Mass.
5 p.m.—Leo Reisman Hotel Lenox ensemble.
5.30 p.m.—Leo Reisman and his Hotel Brunswick orchestra.
6 p.m.—Results of games played by the Eastern, American and National leagues.
6.05 p.m.—Market reports as furnished by the United States department of agriculture. World market survey from the department of commerce at Boston, Springfield, Mass., studio.
6.30 p.m.—Bedtime story for the kiddies, Springfield studio.
6.40 p.m.—Copley Plaza ensemble.
8 p.m.—Recital by Mildred King, pianist.
8.30 p.m.—Recital by Marie Rice, soprano; Juliette Houle, accompanist. Boston studio.

WGY (380) Schenectady, N.Y.
11.30 a.m.—Stock market report.
11.40 a.m.—Produce market report.
6 p.m.—Dinner music by Joseph A. Chickens and his Clover Club Orchestra of Hotel Ten Eyck, Albany, N.Y.
7.40 p.m.—Baseball scores.

KDKA (326) Pittsburgh, Pa.
9.45 a.m.—Union live stock market reports from the "National Stockman" studio.
11.15 a.m.—Concert by Scalo's

orchestra, from Kaufmann's dining room.
2.15 p.m.—Baseball scores, inning by inning.
5 p.m.—Baseball scores.
5.30 p.m.—Dinner concert by the Grand Symphony orchestra.
6.30 p.m.—"The Adventures of Pinkie, the Crafty," for the radio children.
6.45 p.m.—Feature.
7 p.m.—Baseball scores.
7.40 p.m.—"National Stockman and Farmer" market reports.
8 p.m.—Concert by the quartette from the South Avenue Methodist Church, Wilkesburg.
10 p.m.—Concert by "Will" Pefter and his Queen City orchestra.

Complete radio programmes sold at Canada Radio Stores.

MARRIED AT ARDOCH.

A Pleading Occasion With Feasting and Dancing.
Ardoch, July 1.—A wedding of interest was solemnized on Wednesday, June 25th, in the Roman Catholic church, when Miss Gertrude Hartman, eldest daughter of Mr. and Mrs. James Hartman, became the wife of William Hermer, fourth son of Mr. and Mrs. George Hermer. The bride was becomingly attired in grey silk tulle over navy satin de chine with hat to match, while Miss Mary Gunsinger, who acted as bridesmaid, wore grey crepe de chine. Herbert Hermer filled the post of groomsmen.

After the ceremony the bridal procession motored to the home of the bride's parents where a dinner was served to the immediate relatives of the contracting parties. A large crowd assembled in the evening and indulged in dancing. They also presented a miscellaneous shower.

Those from a distance who were present were: Herbert and Victor Hermer, Campbellford; Misses Laura, etta and Irene Waiters, Madoc and Campbellford; Misses Elizabeth, Mary and Alice Gunsinger, Toronto; David Plotz and William Warlick, Denbigh and Frances Rosberry, Lant.

The teachers, Miss L. Rogers and Miss E. Ireton, have gone to spend their holidays at their respective homes in Denbigh and Perth. J. G. Fraser left yesterday for Prescott where he has secured a position. William Derris, who is employed as an electrician in the Nipissing district, is home for a few days. Robert Watkins has a number of men engaged repairing the road between Plevna and Swamp Creek. Mrs. George Weber is in Kingston receiving medical treatment also visiting friends. Miss K. Keeley, Sydenham, is on an extended visit with her sister, Mrs. J. B. Myers. Mr. and Mrs. John Gray, Harlowe, made a business trip here to-day.

Lorne McDonald and Guy Watkins have purchased cars. Charles Smith, Jr., motored to Kingston on Saturday last. He was accompanied by Charles Smith, Sr., and William. William Derris and Allan Watkins took in the picnic in Denbigh to-day. Saturday night's rain was a boon to crops. Strawberries, which are plentiful, are also ripening rapidly.

PROBS:—Mostly fair and warm Tuesday; a few scattered showers.

Tuesday at Steacy's

This great cool shopping centre should be the mecca of all thrifty shoppers to-morrow.

Shop early Tuesday and save 10% on all your regular cash purchases.

Double Discount Stamps

From 9 to 1 O'clock

Every department is represented in this special morning fixture and we invite your active participation.

Crepe Bloomers

Tuesday 69c.

10 doz. Tissue Crepe Bloomers with elastic at knee and waist, cut in full sizes. Regular \$1.00 values.

Crepe Step-Ins

Tuesday 69c.

7 dozen Crepe Step-Ins in Flesh and White with Val. trimming. Regular \$1.00 values.

Crepe Skirts

Tuesday \$3.25

25 only, Cream and Colored Fine Wool Crepe Skirts — all the wanted sizes. Regular \$4.95 values.

Children's Gingham Dresses

Tuesday ... \$1.29 and \$1.39

36 Gingham Frocks in Checks, Plaids and plain colors. Sizes 6 to 12 years. Regular \$1.50 and \$1.75 each.

Summer Vests

Tuesday 3 for \$1.00

15 doz. Swiss Ribbed Cotton Vests with strap shoulder and crochet top. Sizes 36 to 40. Regular 45c. each.

Lisle Stockings

Tuesday 39c. Pair

25 doz. Mercer-Lisle Hose in Black and White—all sizes—special values at 50c. pair.

Hardware For Hot Weather

Refrigerators—White Enamel lined—
\$18.00, \$27.00, \$50.00, \$60.00
Screen Doors, 2' 8" x 6' 8"; 2' 10" x 6' 10";
3' x 7' \$2.50 and \$3.75
Window Screens 50c. to 85c.
Screen Wire Cloth 18c. per yd. to 48"
B. H. English Paint ... \$1.50 per qt. Colors
\$1.60 per qt. Gloss White.

McKelvey & Birch, Limited

General Contractors, Heating Specialists, Steam Fitters and Plumbers, Jobbers of Plumber's and Gas-Fitters' Supplies, Stoves, Sheet Metal and Sheet Piping Hardware, Tins, Oil, Bo: Supplies, Sheet Metal and Tin Work; Electric work; Painting and Paper Hanging. Special work of all kinds undertaken.

SIMPLIFIED SPENDING



A Chequing Account for current expenses necessary to maintain a home and a farm greatly simplifies the business of paying bills.

The Bank of Montreal makes a specialty of handling small Chequing Accounts and endeavors to give courteous and satisfactory service.



You can arrange to open an account with us by mail if a personal visit is not convenient.

Kingston Branch:
P. DU MOULIN, Manager.

BANK OF MONTREAL
Established over 100 years

Millinery to clear Tuesday \$1.98

12 only, Trimmed Hats in Straw, Crepe-de-Chene, Visca Cloth and Taffeta. The colors are Jade, Grey, Crab-apple, Chinese Red, Sand and Black—all new shapes — formerly priced from \$6.50 to \$10.00 each.

BATHING TOGS FOR THE FAMILY!

For Men, Women, Boys and Girls—a complete assortment of styles, colors and sizes — at popular prices throughout!

STEACY'S - Limited