



Radio Topics

PORTABLE RECEIVING SET

By R. M. SHERRILL
(Radio Engineer)

Now that the time for vacations and touring trips is approaching, why not plan to carry a Radio Set with you? A good portable set is easily built, occupies but little room and will add much pleasure to your vacation.

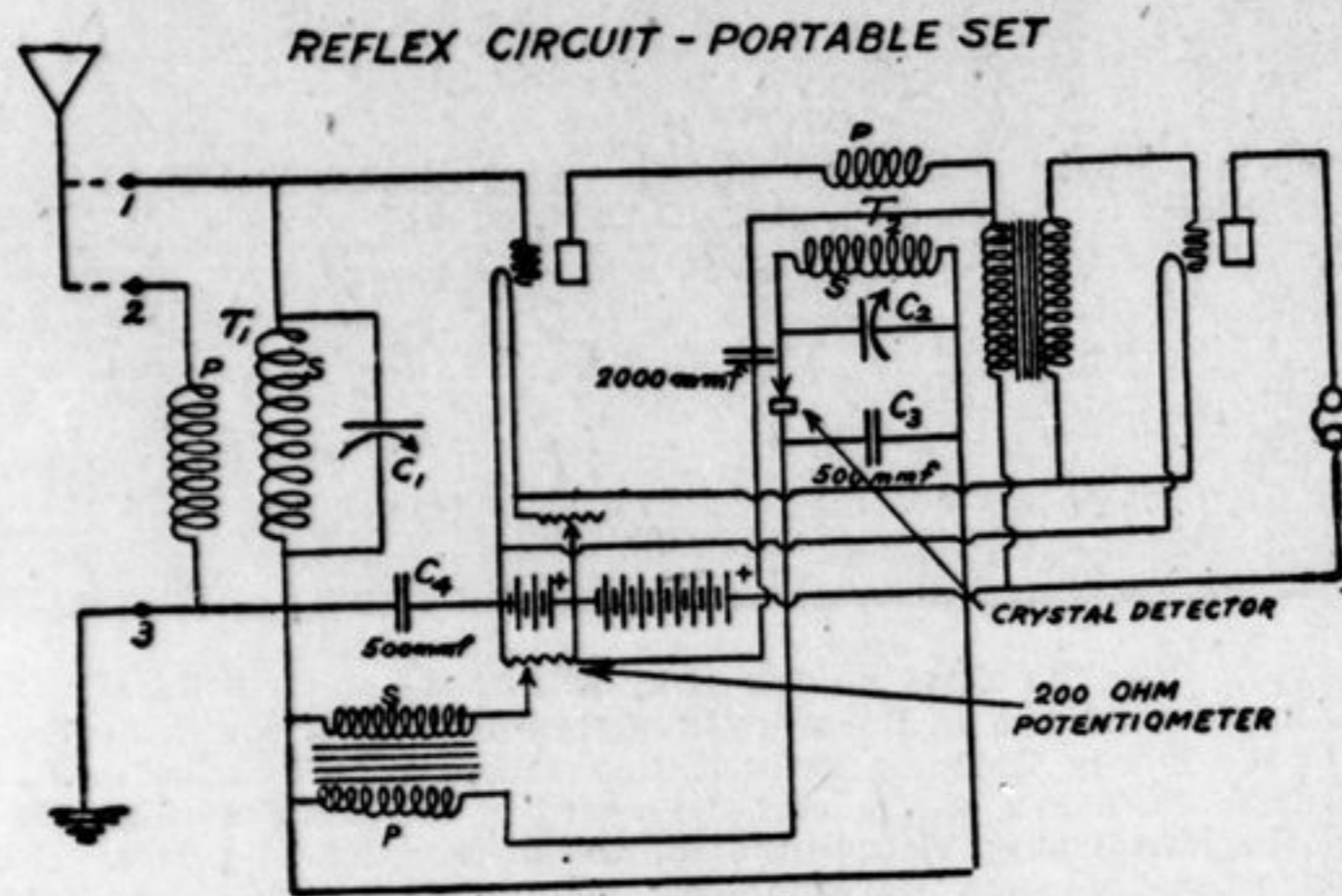
If you are making an automobile trip, you can use regular storage battery tubes, and just plug into the dash-light or other socket on the machine for your filament current. Or, UV199s or WD12s may be used and both the A and B batteries built into the set.

The receiver may be mounted in a small wooden box with a carrying strap on the top, or better yet, may be built into a small leather suitcase.

The requirements of a portable set are somewhat different from those of a permanent installation.

See Diagram

The tuning and reflex transformers shown as T-1 and T-2 in the diagram are made exactly alike. Each should be wound on a 3 inch piece of bakelite or dry cardboard tubing 2 inches long. The secondary, which consists of 60 turns of 26 gauge DCC copper wire, is wound on first. The primary, consisting of 10 turns of the same wire, should be wound on top of the secondary at the lower end of the winding. In mounting these transformers in the set, place them so they are separated as much as possible, and so that their axes are at right angles to each other.



For the sake of room, of weight, and of simplicity, we must sacrifice to some extent on volume and selectivity. The efficiency of the reflex circuit makes it ideal for use in a portable set. The diagram shows a suitable 2 tube reflex circuit with a crystal detector.

The tuning transformer and the reflex transformer may be homemade; the other apparatus needed is listed below:

- 2 500 mmf. variable condensers (about 23 plate).
- 1 Filament rheostat.
- 1 200 ohm potentiometer.
- 2 A. F. Transformers.
- 1 Brownlie Crystal Detector.
- 2 500 mmf. by-pass condensers.
- 1 2000 mmf. by-pass condenser.
- 2 Dials.
- 1 (45 to 90 volts) B battery.

In order to save on space, select parts which are as small as possible even if it is necessary to sacrifice quality a little.

(Copyright, 1924, by The Bonnet-Brown Corporation, Chicago)

RADIO QUESTIONS AND ANSWERS

Mr. Sherrill will be glad to help you solve your radio problems. Write him, care of The Durham Chronicle.

M. L. A. says: "Will you please give me the address of a place I can get some Edison B battery elements?"

Ans.—These may be obtained from B. T. Stott, 60 Pallister Avenue, Detroit, Mich.

F. T. asks: "If a 6 volt automobile generator may be used for charging his A and B batteries?"

Ans.—The generator will charge any battery of 6 volts. It will not do for charging B batteries unless the cells are specially connected in groups of about 6 volts each.

M. E. T. says: "I am using a 4-tube Superdync receiver. Some diagrams show a connection between the primary and secondary circuits

and others omit this connection. What is that connection used for? It seems to make little or no difference with my receiver."

Ans.—The connection you mention simply grounds the A battery. The tuning will probably be more selective without the connection. Using the connection will usually remove a lot of noises from the receiver.

Dundalk

When W. A. Seabright was out fishing recently, his boat upset and he had to wade in water up to his chest before reaching dry land. Little Eileen, six-month-old daughter of Mr. and Mrs. Templeman Dynes of Redickville, passed away on Tuesday, May 19.

Mrs. (Rev.) Spencer made amiss-step in going out of the back door at the parsonage and twisted her ankle, breaking a cartilage. A large crowd was on hand for the concert presented by the Presbyterian Dramatic Club, "The Country Minister."

There was a fair attendance at the park for the sports held under the auspices of the Presbyterian Sunday School. Following the children's races, Dundalk and Flesherton played a 6-6 tie game of baseball.

INJURED IN STORM

During a severe electrical storm on Saturday morning last, lightning hit and destroyed the barn Martin, a young farmer of East Garfraxa Township, was stunned and cut about the face when a bolt of lightning struck his residence.

Read Classified Ads. on Page 9.

News of Nearby Towns

Markdale

A pretty May wedding was solemnized at the home of Mr. and Mrs. Marshall Beard, Markdale, when their daughter, Thelma, became the bride of Mr. William McEachnie of Marmora. The ceremony was performed by Rev. Dr. Gray. After the honeymoon, the couple will reside at Marmora.

At a meeting of the Centre Grey Baseball League in Flesherton on Thursday, May 21, this year's schedule was arranged.

On Monday, May 25, Markdale boys went to Thornbury where they played a baseball game with the home club that resulted in a 7-all tie. On Friday, May 22, the High School students travelled to Meaford and won 7-3.

Rt. Wor. Bro. Samuel Patterson of Shelburne, D. D. G. M. of Grey District, paid his official visit to Hiram Lodge No. 490, A. F. and A. M., on Friday evening May 22, when the officers of the lodge passed an Entered Apprentice to the Fellow Craft Degree.

Arthur Cooper, aged 59 years, passed away at the home of his son, Arthur, West Backline, Glenelg, on Thursday, May 21, after a lingering illness.

The contract for repairing the curling rink damaged recently by fire, has been let to Mr. J. R. Dillon, Mr. and Mrs. Ben Sewell of the suburbs were sorely bereft early Tuesday morning, May 26, by the death of their infant daughter, Muriel Agnes Bell, aged three months.

The monthly meeting of the W. M. S. of St. Paul's Presbyterian Church was held at the home of Mrs. John Reid on Tuesday, May 15. The most interesting part of the afternoon's program was the presentation of a Life Membership Certificate in the W. M. S. to Mrs. Reid.

Chesley

A pretty wedding was solemnized at the home of Mr. and Mrs. Joseph Ward of Brant on May 20 when their youngest daughter, Janet Ruth, was united in marriage to Mr. Harold Dodsforth, son of Mr. and Mrs. John Dodsforth of Bentinck.

William Blackburne of Concession 4, Elderslie, brought to The Chesley Enterprise office on Tuesday, May 26, a mammoth goose egg that measured 12 1/4 x 8 3/4 inches and weighed exactly one pound.

At a special meeting of the High School Board Thursday, May 21, the members of the teaching staff were re-engaged and given an increase of \$100 each in salary in consideration of an extra teaching period each day.

On Tuesday, May 26, John White McKinnon, only son of Rev. and Mrs. John McKinnon of this town, was inducted into the Christian ministry in Knox Church, Walkerton. He has been appointed Director of Religious Education in the largest church in Moose Jaw, Sask.

Dan Cook, who died at the home of his daughter, Mrs. (Capt.) Lambert, in Sauguen Township, at the age of 72, was for ten years a resident of Chesley.

Chesley won the opening Bruce League baseball game at Hanover by a 7-5 score. On May 27, Chesley opened at home, defeating Kincardine, 24-1.

A ladies soft ball league was organized among the churches on Friday, May 22.

Hanover

The Sauguen Golf Club will be opened on June 1 for members only. Allan Watt of Hanover, who with Howard Martin of Guelph was charged with stealing chickens at Milton, was sentenced to three months in the Reformatory.

While Mr. Ed. Schlottbauer of Bentinck was taking the young cattle out to the bush, one of them stumbled, fractured its leg and had to be shot.

While visiting in Milverton over the 24th, Mr. and Mrs. Ervin Beckner and baby of Hanover were injured in an auto accident. It is feared the baby may be injured internally.

Rev. D. J. Lane, pastor of St. Andrew's Presbyterian Church, here,

has accepted a call to Wallaceburg. The annual decoration of the Soldiers' Memorial by the Hanover school children took place on Friday afternoon, May 22, about 4 p. m.

The death occurred in Brant Township on Friday, May 22, of Mr. John Rothaupt at the age of 73 years.

The annual church parade of the Boy Scouts and Girl Guides took place to the Baptist Church on Sunday, May 24.

Mr. Val Sachs, who recently conducted the Paramount Theatre here, has purchased the movie house at Mount Forest and moved there.

Walkerton

On Friday, May 15, the drug store of S. R. Davey in Chesley was entered through a back window and the till rifled of \$100 in cash. After working on the case, Provincial Officer Bone of Walkerton had a warrant issued for the arrest of Moses Steinberg, an 18-year-old Chesley youth who had left for Toronto shortly after the robbery. When the accused returned to Chesley, he was arrested and is now out on bail.

Soloman Lasch of Carrick was fined \$20 and costs for allowing his horse to feed on the flesh of a dead horse.

Fenner Bros., of the 15th Concession, Carrick, have a cow that gave birth to twin calves on Monday, May 25, and a heifer that repeated the performance on the following Tuesday.

When three horses attached to a manure spreader ran away, Mr. A. Rosswurm of Carrick, attempted to jump from the implement but caught his foot in the clutch and was thrown under the wheels. He suffered a badly bruised left shoulder and some fractured ribs.

Rev. A. H. Plyley, local Methodist pastor, has accepted a call to Elora. His successor at Walkerton is Rev. Thomas Boles, late of Milton.

Knox Memorial Church, Pinkerton, recorded a majority of 22 in favor of Union. The sister church at Carrick goes into union without a vote.

A Toronto bond dealer, driving a Ford coupe from Carrick to Walkerton, had a narrow escape from death when a big touring car struck and demolished the Toronto car and whose unfortunate driver was left in the ditch. A passer-by conveyed the injured man into Walkerton where he was under the doctor's care for a few days.

Donald Reich, the 8-year-old son of Mr. Ben. Reich, was knocked down and almost killed on the roadway in front of his home Friday night, May 22. The lad, who had been hanging on the back of a C. N. R. Express truck, leaped off directly in front of an auto. Although severely injured about the head and one arm, hopes are entertained for his recovery.

Leo Kunkel, the 11-year-old son of Mr. Peter Kunkel of Carrick, had a dangerous appendix removed at the County Hospital here on Monday, May 25. Miss Louisa Hossfeld, daughter of Mr. William Hossfeld of Otter Creek, was also operated on for appendicitis Wednesday, May 27.

Leo Schnurr, the 9-year-old son of Mrs. Frank Schnurr, fell off the bannister at the Separate School and dropped heavily to the floor. He received some nasty bruises about the head and face.

Mr. Campbell Grant of Durham, who graduated as a barrister from Osgoode Hall, Toronto, last week, opened a law practice in the office formerly occupied by the late Arthur Collins.

Rev. Joseph Guinn, a former Walkerton boy and son of the late

Richard Guinn, has been assigned to the pastorate of the Methodist Church at Southampton.

Although the Royal Hotel was all set to sell the new beer on the 21, the new stock didn't arrive in town until Saturday, May 23.

Mr. George Sisenberg, the local junk dealer, joined the benedictines last Sunday in Toronto, his bride being Miss Clara Kabner of the Queen City.

The annual inspection of Public and High School cadets took place on Thursday, May 28, the inspecting officer being Lieut.-Col. George H. Gillespie of London.

In spite of cold weather, a good crowd turned out to witness the program of sports on Monday, May 25. The band provided excellent music. The Hanover juvenile lacrosse players were trimmed by the locals by an 8-6 score, while the local baseball pastimers lost to the Chesley team 13-6, the visitors garnering nine counters in the ninth stanza. In an interesting football game, Walkerton was victorious over Carrigill 2-0.

Thomas Herman had the misfortune to have his foot badly injured on Wednesday morning, May 20. He was working on the 21st sideroad with Overseer Poltuss, and while chopping out a pine stump, the axe glanced off and cut a very bad gash in his foot. He will be off work for a time.

Walkerton won their first league baseball game of the season from Lucknow by a 19-2 score.

Jennie Bannerman, who with her mother is visiting her grandmother, Mrs. Ruthven, in Elderslie, was so badly bitten by a dog that eight stitches were necessary to close up the wound.

Alex., the eight-year-old son of Mr. and Mrs. Andrew Schnurr of near Amberslie, had his foot and leg badly mangled when he was caught between the sections of a land roller he tried to climb on.

Edward D. Ramsey, son of Mr. and Mrs. M. J. Ramsey, was among the successful graduates in the final year at the Royal College of Dental Surgeons, Toronto.

Local lady bowlers organized their club on Friday, May 22.

Rev. Thomas R. Todd, son of Mrs. A. Todd of town, is pastor of the Harristown United Church.

James H. Spence, K. C., of Tor-

onto and graduate of Walkerton High School, has been elected President of the Ontario Bar Association.

The watch stolen from Mrs. Young some time ago has been returned to her.

The third and fourth rooms of the Public School held an Empire Day celebration on Friday afternoon, May 22.

The local Baptist congregation has extended a call to Rev. J. S. Tiffin of Oil City.

Mount Forest

In spite of cold weather, the attendance at the community races on the 25th was excellent.

At a special meeting of the Town Council on Saturday, May 23, it was decided to delay the paving of Main Street as the government assistance was not deemed adequate.

At the regular monthly meeting of the Board of Education on Tuesday evening, May 26, Miss H. McKee was appointed to the Entrance Board; the Supply Committee was instructed to secure coal for next year; it was decided to re-engage both Public and High School staffs, and a motion was passed to ask from the Town Council \$8,000 for each of the schools for next year.

While Captain Evenden was out riding on his bicycle on Tuesday evening, May 26, he was hit by a car driven by an Owen Sound man but not seriously injured.

Around noon Tuesday of last week, the fire brigade had a run up Main Street to Mr. Weber's where a chimney was on fire. No damage was done.

The Horticultural Society had shrubs planted out recently at the Town Hall and other places around town.

Donald Penwarden, young son of Mr. and Mrs. E. E. Penwarden, met with a rather serious accident on Monday, the 25th. He lit the fuse of a three inch "National Salute" cracker, but it hung fire, and he turned the fuse towards his face. The cracker then went off shooting the fiery contents into his face. The left side of his face was painfully burned and his eye injured, but it is hoped that the sight may not be impaired.

Flapper version: "Pet and the world pets with you, refrain and you walk alone."



Maximum Security at Minimum Cost

A SAFETY Deposit Box in the nearest branch of the Standard Bank will relieve any anxiety regarding the whereabouts of your valuables while permitting free access to them by you or a duly authorized person at any time during banking hours. The cost is less than one cent per day; the value received is an inestimable sense of security.

THE STANDARD BANK OF CANADA

DURHAM BRANCH—John Kelly, Manager
Sub-Branch at Pricerville

The New Ford with the Ruckstell Axle is—

- The Wonder Car of America.
- The only car in the World to climb Mount Diablo on "HIGH".
- The only light car in America with four speeds forward.
- The Ford with four speeds Ruckstell-equipped holds

3 World Records

for hill climbing on high gear.

Ask for a "FORD" Ruckstell equipped demonstration and be convinced.

SMITH BROS.

Ford Sales and Service
Durham Holstein Mt. Forest Hanover

Have You Had Your ORIGINAL MELOTTE for 30 Years?

MANY of our machines have been in use continuously for 30 years—and more. If you have been using a Melotte Cream Separator for this length of time, ask us to examine it and check up its operation. We are pleased to render this service to our customers at any time, without obligation. Ask us to call and demonstrate.

F. W. MOON
Durham Ontario