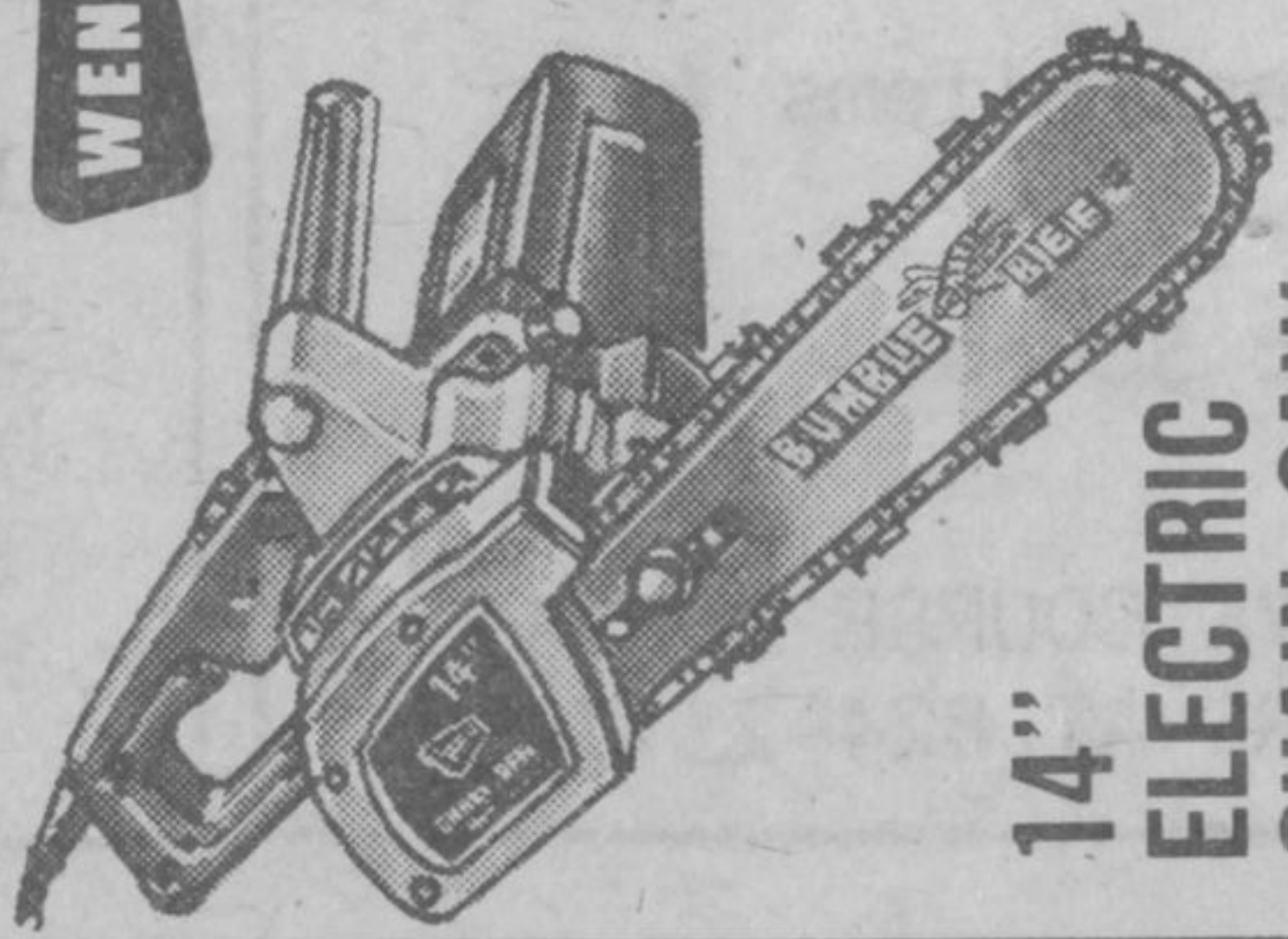




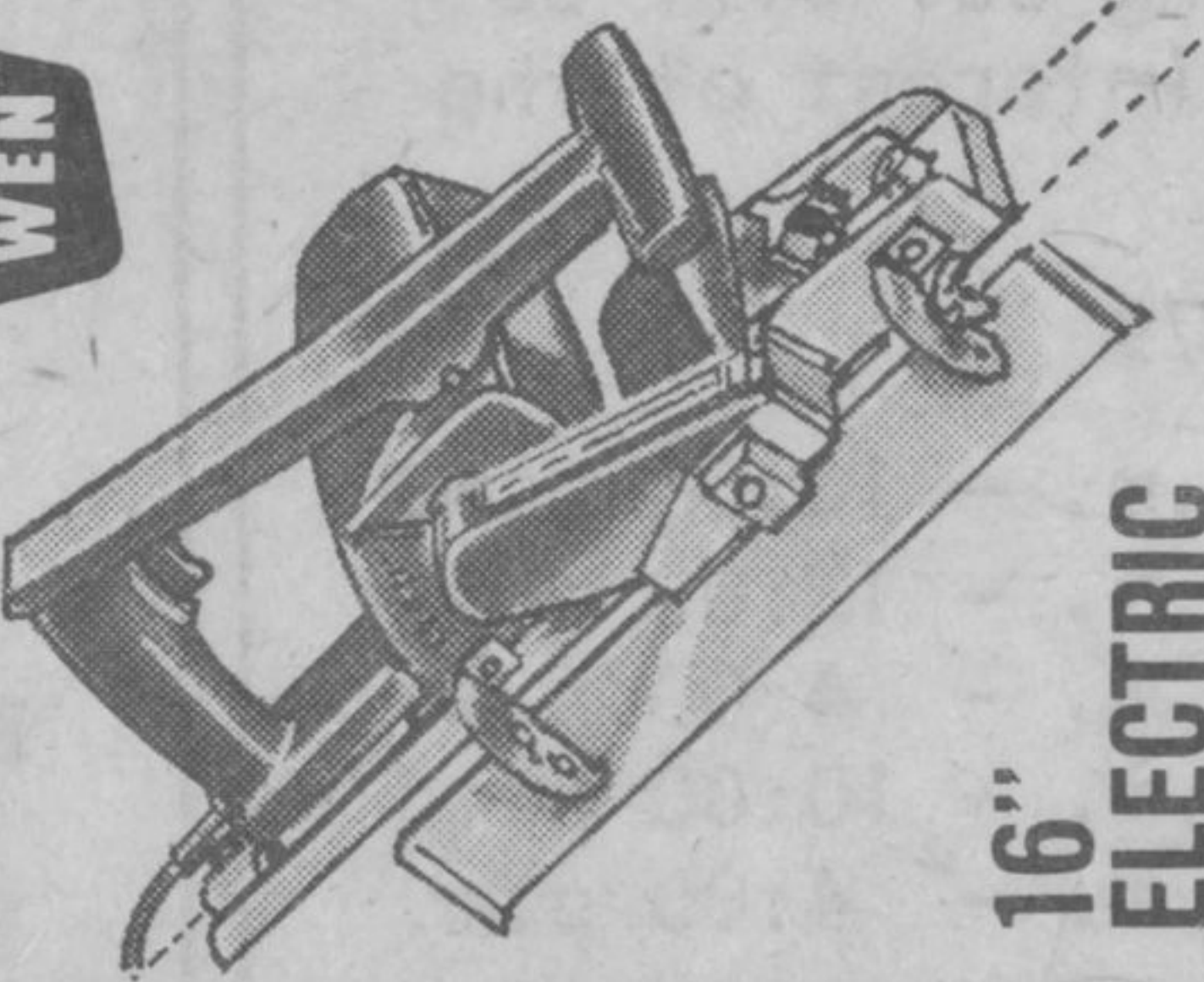
**SUPER**

**3 DAYS ONLY**  
THURS. FRI. & SAT.  
FEB. 22, 23, 24



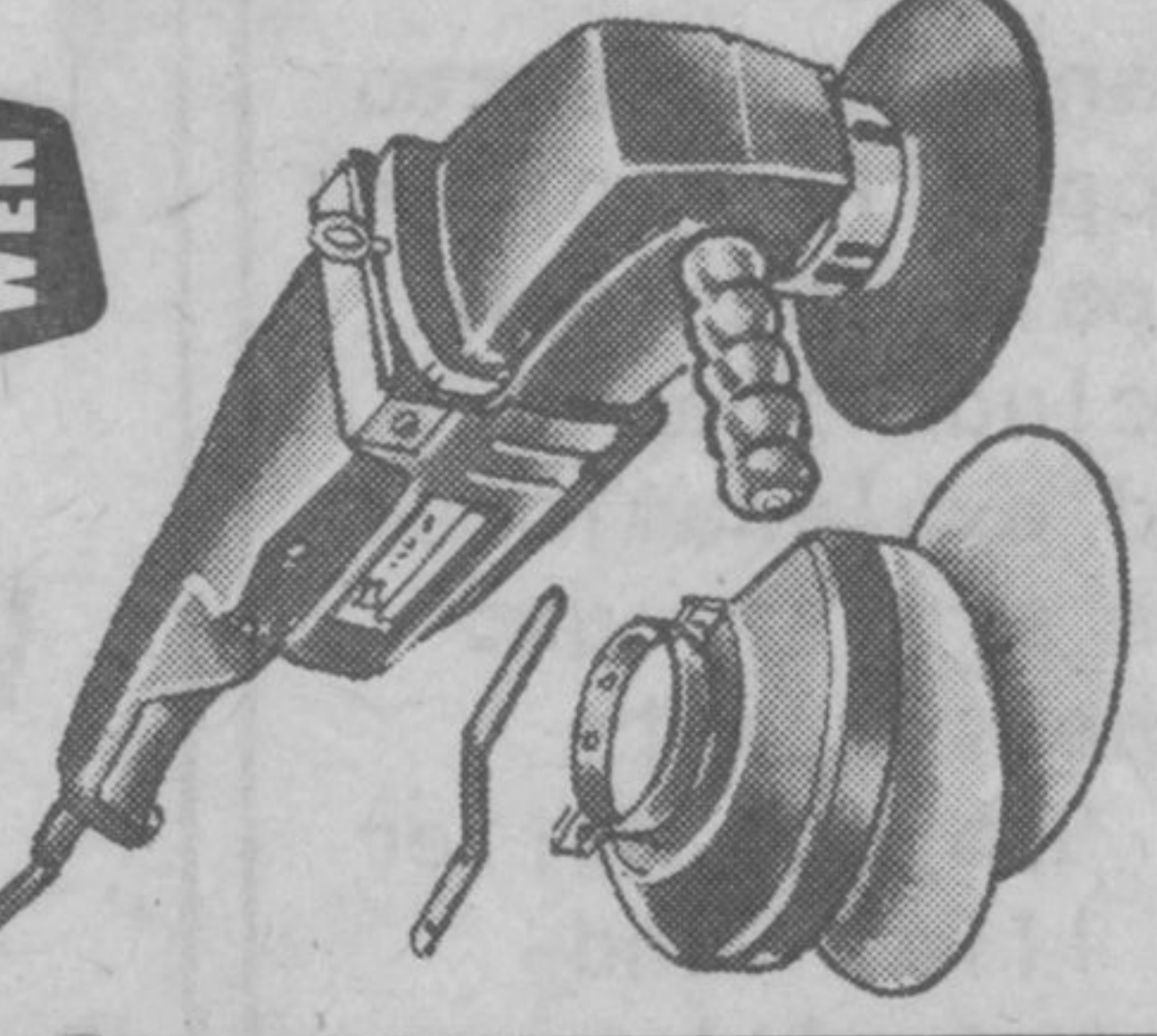
**14" ELECTRIC CHAIN SAW**  
Double-insulated, 2 HP motor; 11 amps; 5200 RPM. Bar and chain. 8 lbs. Full replacement warranty.

**3-DAY SALE PRICE 49.88**  
Reg. 61.95



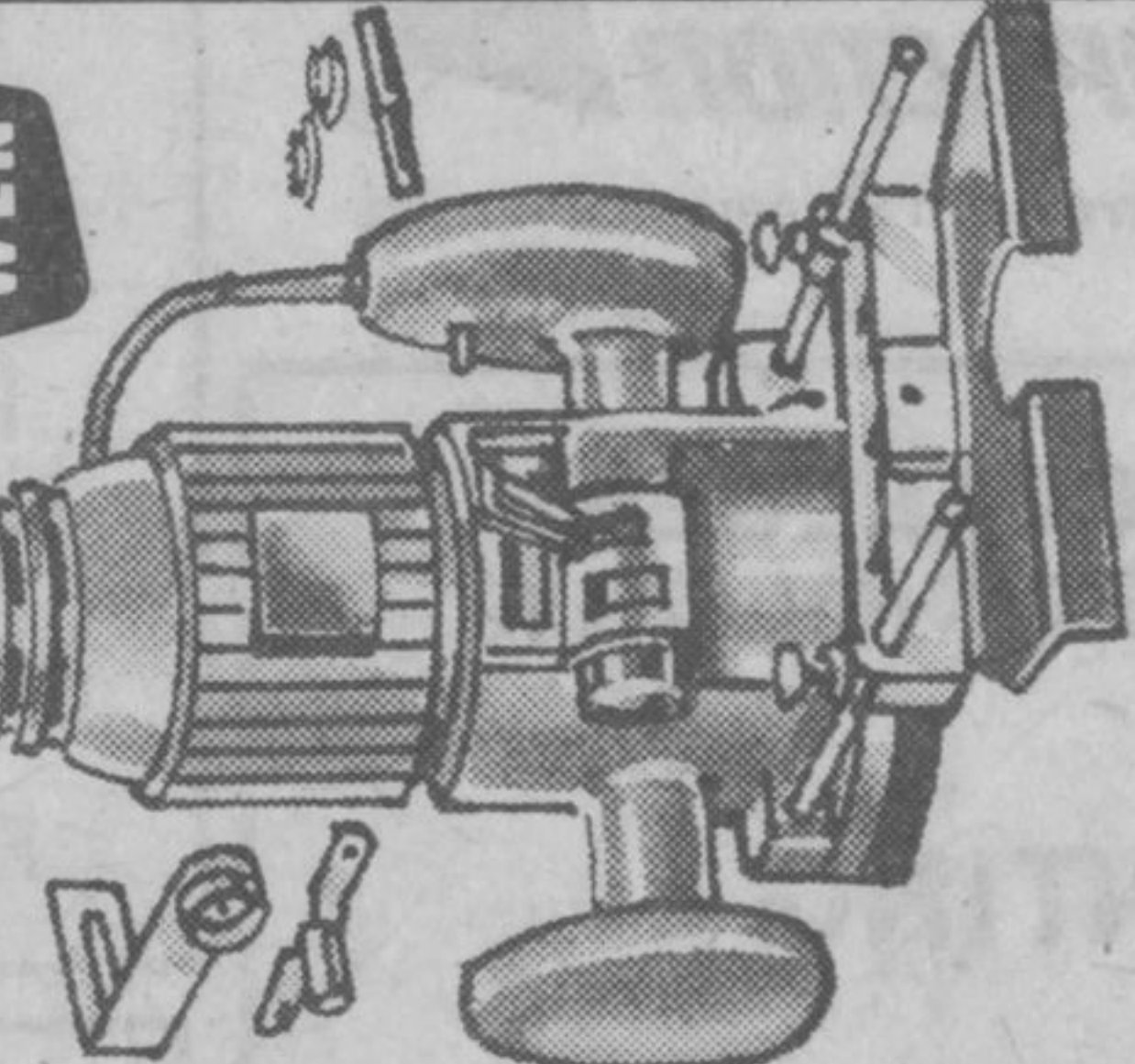
**16" ELECTRIC HAND PLANE**  
For edge and smooth-surface planing plus bevelling. Mitre adjustment. 6 amp; 14,500 RPM. With blades.

**3-DAY SALE PRICE 59.88**  
Reg. 64.99



**7" DELUXE GRINDER/SANDER**  
Heavy-duty; double insulated. Ball bearings. Double reduction gears. 5000 RPM; 10 amps. Backing pad and accessories.

**3-DAY SALE PRICE 74.88**  
Reg. 84.99



**2/3 H.P. ROUTING KIT**  
Multi-feature, 4-amp, 25,000 RPM router. Double insulated. Circle and edge cutter attachments. 1/4" bit. Manual.

**3-DAY SALE PRICE 44.88**  
Reg. 49.99

Handyman Special



**ALL YOU NEED TO FIX IT!**

3-DAY SALE PRICE

**1.88**

Reg. 2.49

**"BERNZOMATIC" PROPANE CYLINDER**  
"Gold Seal" guaranteed quality! 14-oz. replacement cylinder attaches quickly to burner head of most propane torches. Stock up and save!

