

# SAFE SUMMER DRIVING

## YOU CAN MAKE IT HAPPEN HERE!

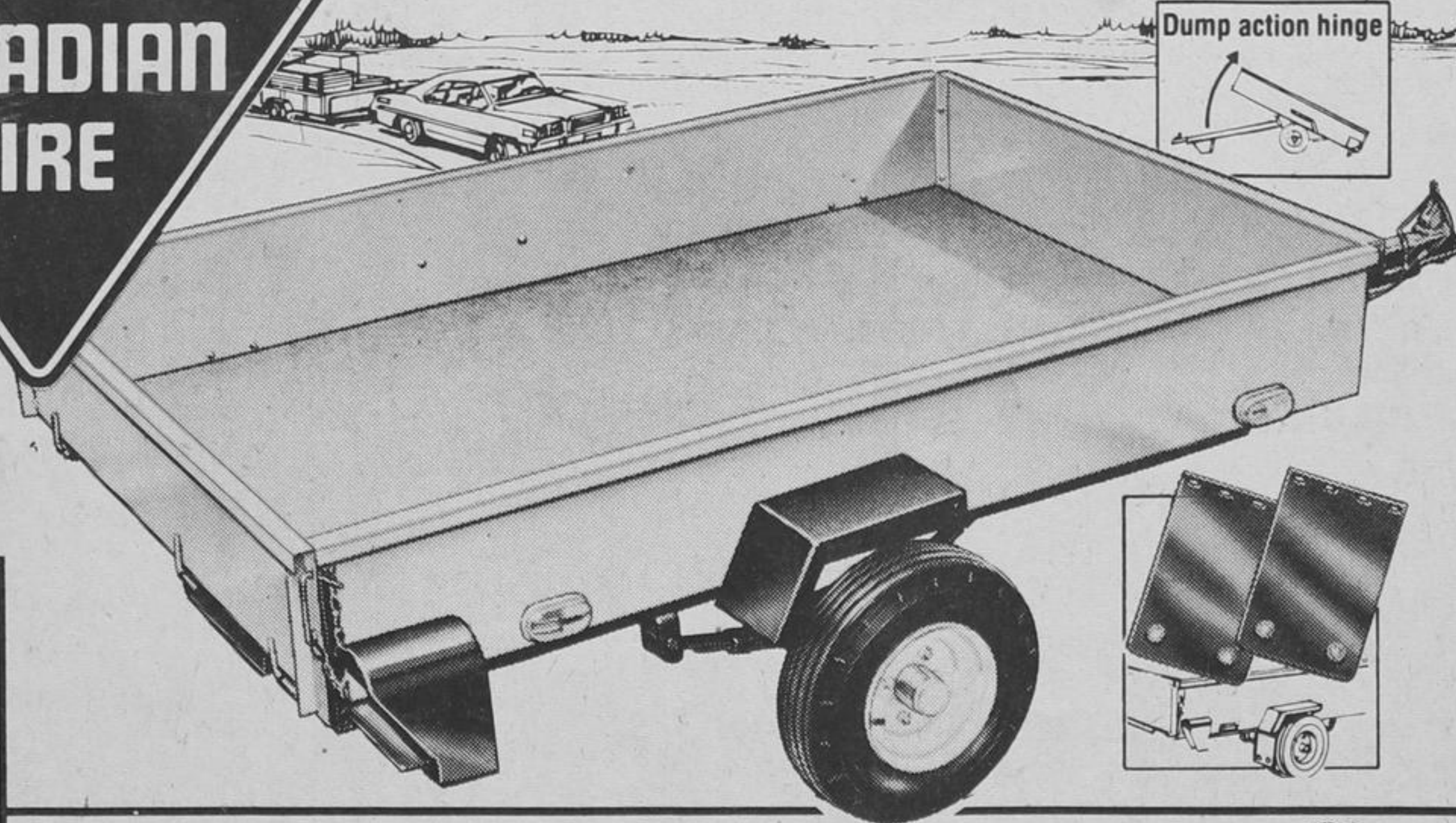
# 1200-lb Utility Trailer

EXTRA SAVINGS  
CASH BONUS  
COUPONS



SERVICE  
DEPARTMENT  
OPEN NIGHTS

TILL **9** P.M.



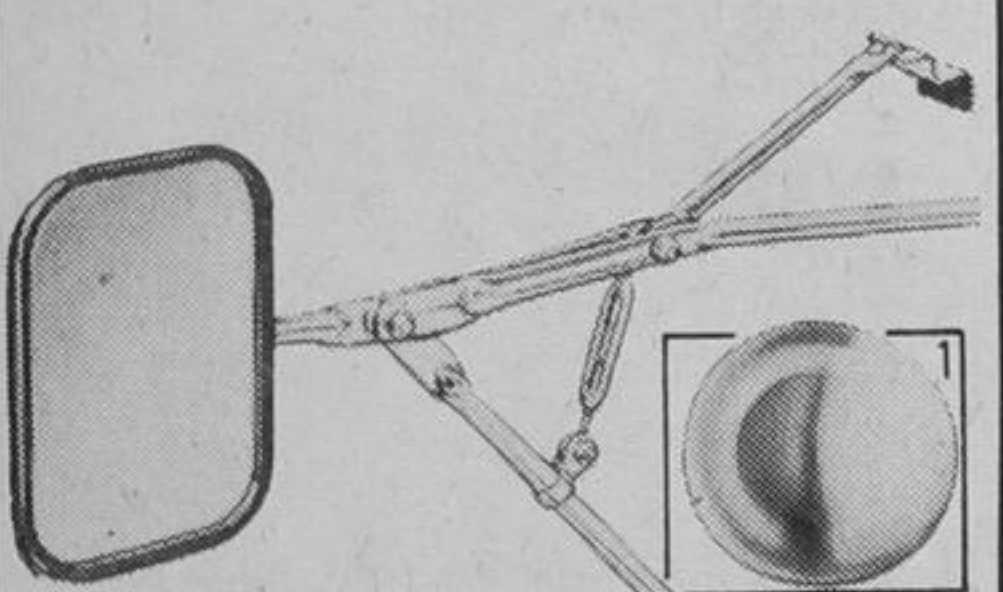
Streamlined low-profile trailer is completely assembled — ready to roll.

# 389<sup>00</sup>

1200-lb capacity welded channel-steel frame with yellow steel box, 48 x 74 x 10" deep. Trailer-to-hitch leveler and dump hinge on tongue. Safety chain and approved lighting kit with side lights are installed. 5.70 x 8" tubeless tires.

It may be necessary to allow up to 2 weeks delivery on trailer.

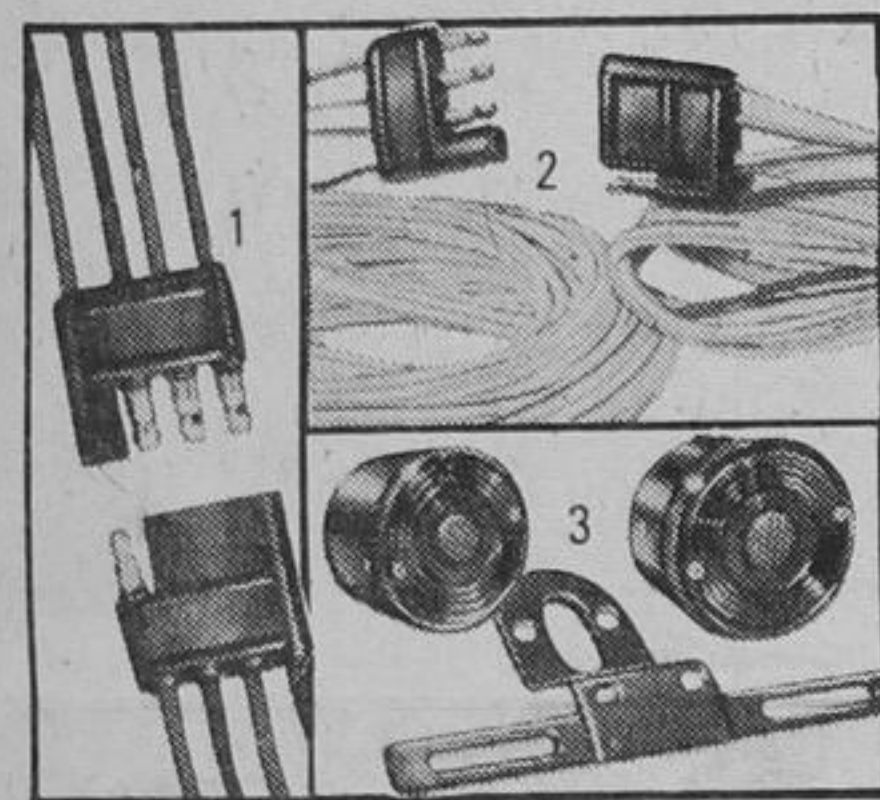
**Rubber Splashguards**  
Heavy-duty black rubber, red reflectors. Abt. 12 x 18" **4<sup>99</sup>** Pair



**Fender Mount Mirror** **10<sup>95</sup>**

Quickly mounts on left or right, extends to widest legal limit. Adjustable turn-buckle. About 5 1/2" x 7 1/2".

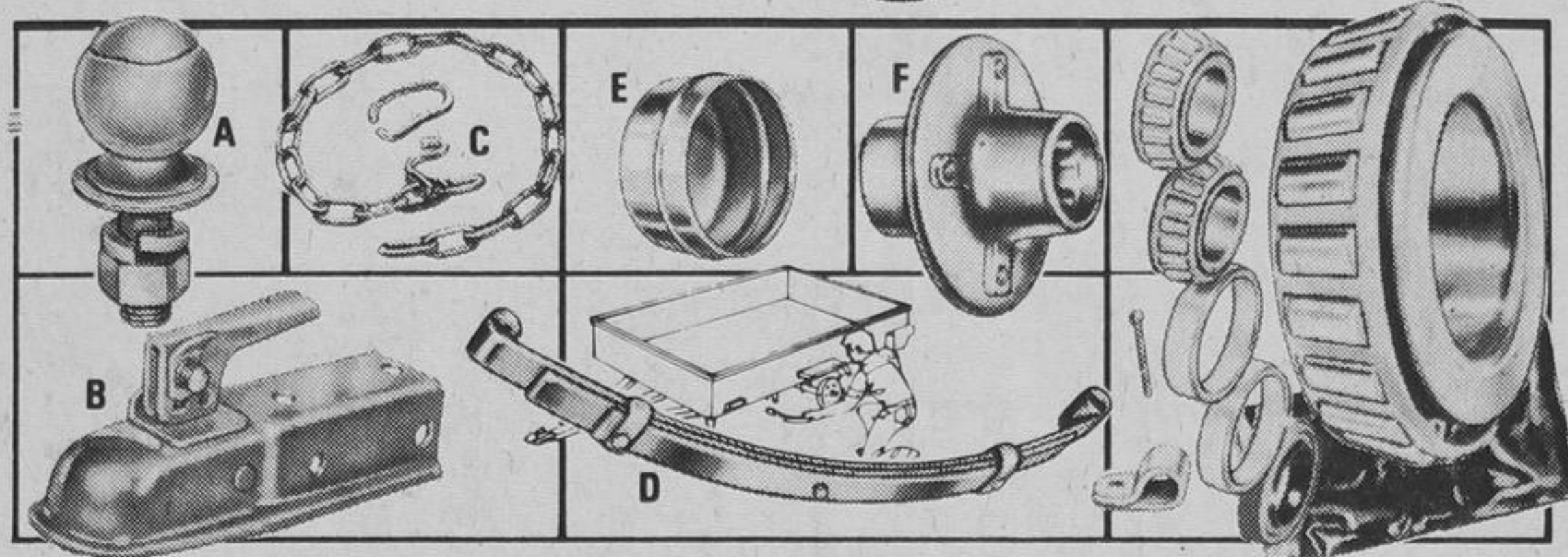
1. **3" Convex Mirror** **99<sup>c</sup>**  
For panoramic view.  
Adhesive back . . . . .  
3 3/4" Convex Mirror — as above . . . . . 1.17



**Electrical Trailer Connector**  
1. Color-coded, pre-wired, weather-proof. **99<sup>c</sup>**  
Car-Trunk Lead — 4-pole . . . . . 1.69

**Trailer Wiring Harness**  
2. Includes necessary wiring; flat 4-pole plugs . . . . . **5<sup>99</sup>**

**2-Lamp Trailer Light Kit**  
3. Complete with 4" lenses, bulbs, 24' wire, 2-pole connector and license bracket . . . . . **14<sup>95</sup>**



**A. Trailer Hitch Ball and Bolt.** Malleable steel. 1 7/8 x 5/8" bolt. 40-6520 . . . . . **2<sup>19</sup>**  
Chromed Steel Ball and Bolt . . . . . 3.79

**B. Trailer Coupler (less ball)** Fits 1 7/8" ball; 2 or 2 1/2" tongue. 40-6501 . . . . . **6<sup>69</sup>**

**C. 42" Trailer Safety Chain** 3500-lb of strength. Plated finish . . . . . **4<sup>99</sup>**

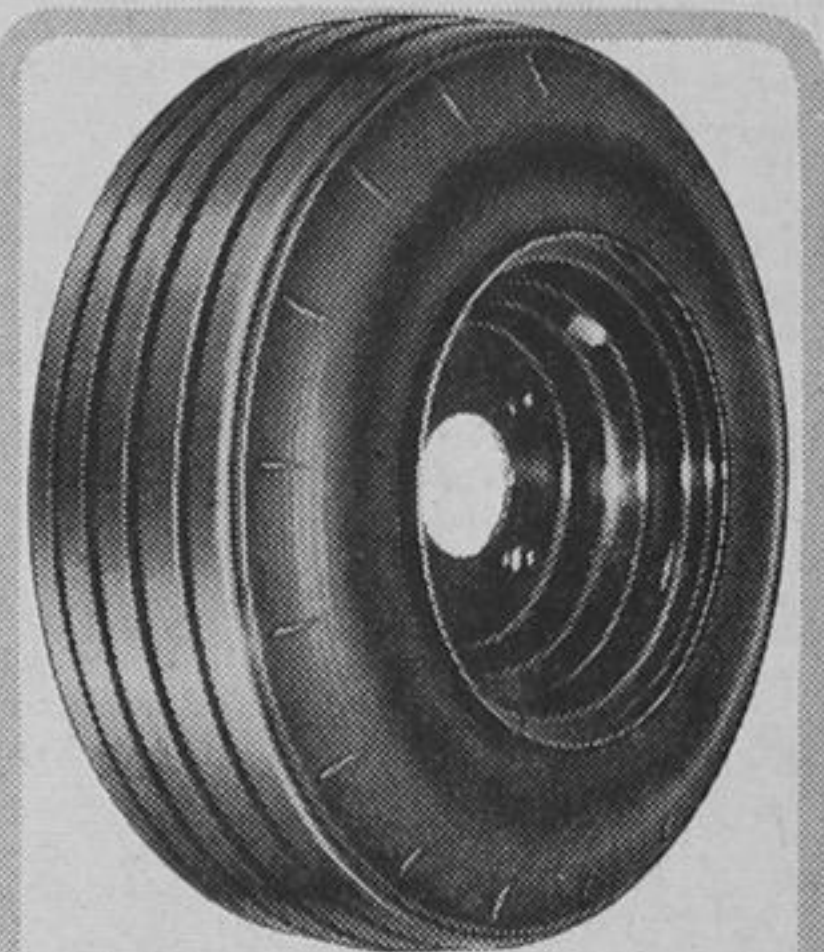
**D. 3-Leaf Spring** — replacement for trailers up to 800-lb capacity **16<sup>99</sup>**  
**5-Lf. Spring** — 2000-lb cap. **24.95**

**E. Trailer Hub Dust Cap** — Durable metal. Clips onto existing hub. . . . . **99<sup>c</sup>**

**F. 4-Bolt Hub with bearings.** Ductile iron casting; 4" circle . . . . . **21<sup>95</sup>**

**Trailer Wheel Bearing Kit**  
Complete kit for one wheel **8<sup>99</sup>**

Consists of tapered roller-bearing cones and cups; waterproof grease; grease seal; cotter pin. 13-0891



**Trailer Wheel & Tire Assembly**

Safety 99 Nylon 4.80 x 8" tire **31<sup>95</sup>**

Bolt-on rim constructed of rugged cast steel. With tire and 4-ply rated tube. 40-8510 Other sizes from 41.95 to 45.95

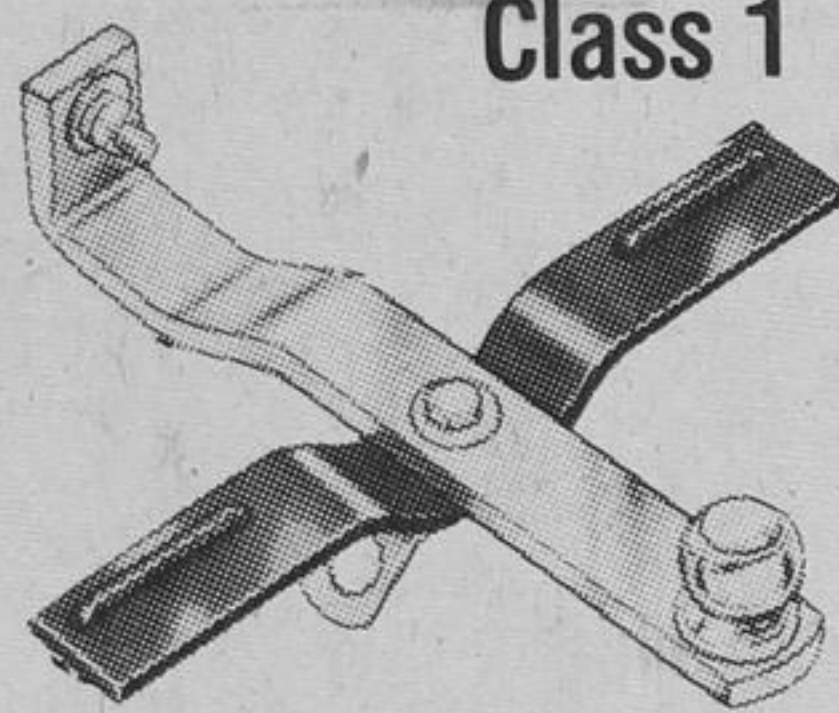
**Tube-Type Trailer Tires** — Tough Nylon with 4-ply rating. In most sizes. Example: Deluxe 4.80 x 8" . . . . . **17<sup>95</sup>**

**Trailer-Tire Tubes** — Most makes. Example: 4.80/4.00 x 8" . . . . . **5.99**

**Handy Tire Gauge**  
10-120 lb Pressure **2<sup>99</sup>**

Gives accurate readings. Pen-type clip.

## Class 1 CUSTOM HITCHES



Extra-tough steel with chromed cold-forged draw bars. Class 1, custom-fit hitches meet CSA Standard D264. Ball-and-bolt not included. 40-6706X

- \*installed**
- 1976-78 Fury & Monaco mid-size stn wgn: **46<sup>55</sup> \***
  - 1975-79 Granada & Monarch. **46<sup>55</sup> \***
  - 1974-78 Ford and Mercury full-size models except station wagon. **45<sup>55</sup> \***
  - 1977-79 Chevrolet, all full-size models except station wagon. **43<sup>55</sup> \***
  - 1975-79 Nova, Omega, Skylark & Ventura all except station wagon. **43<sup>55</sup> \***

## SUPREME MUFFLER

GUARANTEED AS LONG AS YOU OWN YOUR CAR

Available for most popular North American cars. Sample Listing: 1972-76 Dart, Duster, Swinger, Scamp and Valiant 6-cylinder . . . . .

# 25<sup>95</sup>

INSTALLED  
Brackets & Clamps extra

### Supreme Mufflers for North American Cars

1971-73 Chev and Canadian Pontiac V8 350 with 2-BBL	<b>31<sup>95</sup></b> INSTALLED	1973 Vega and Astre with 4-cylinder	<b>26<sup>95</sup></b> INSTALLED
1972-74 Ford and Meteor with V8 351 engine	<b>24<sup>95</sup></b> INSTALLED	1971-75 American Motors Gremlin and Hornet with 6-cyl	<b>26<sup>95</sup></b> INSTALLED
1973-74 Century and Cutlass V8 engine with single exhaust	<b>31<sup>95</sup></b> INSTALLED	1971-72 Chev and Canadian Pontiac 6-cyl 250 engine	<b>25<sup>95</sup></b> INSTALLED

Sample listings only — similar low prices on other North American makes

### Mufflers for Imported Cars

1971-73 Datsun 510 Sedan, all engines rear muffler	<b>24<sup>95</sup></b> INSTALLED	1971-74 Toyota Corolla 1200 & 1600 engine	<b>28<sup>40</sup></b> INSTALLED
--	-------------------------------------	---	-------------------------------------

Sample listings only — similar low prices on other import models

## SAVE 40<sup>00</sup> TRAILER EXTENSION ROOM



76-5090  
Reg. \$179<sup>95</sup>  
**139<sup>95</sup>**  
2 ONLY

## SAVE \$20 TO \$100 FOR THE BACKYARD SWIMMER POOL FILTERS

81-3093 COLECO CF 112 FILTER 15 FT. POOL 3 ONLY Reg. \$79<sup>95</sup> **59<sup>95</sup>**

81-3094 COLECO CF 225 FILTER 18 FT. POOL 1 ONLY Reg. 163<sup>95</sup> **113<sup>95</sup>**

81-3112 COLECO FILTER CF 551 25 FT. POOL 1 ONLY Reg. 249<sup>95</sup> **149<sup>95</sup>**

81-3339 COLECO FILTER FOR 24' to 30' POOL CF 970 Reg. 255<sup>95</sup> **155<sup>95</sup>**  
1 ONLY

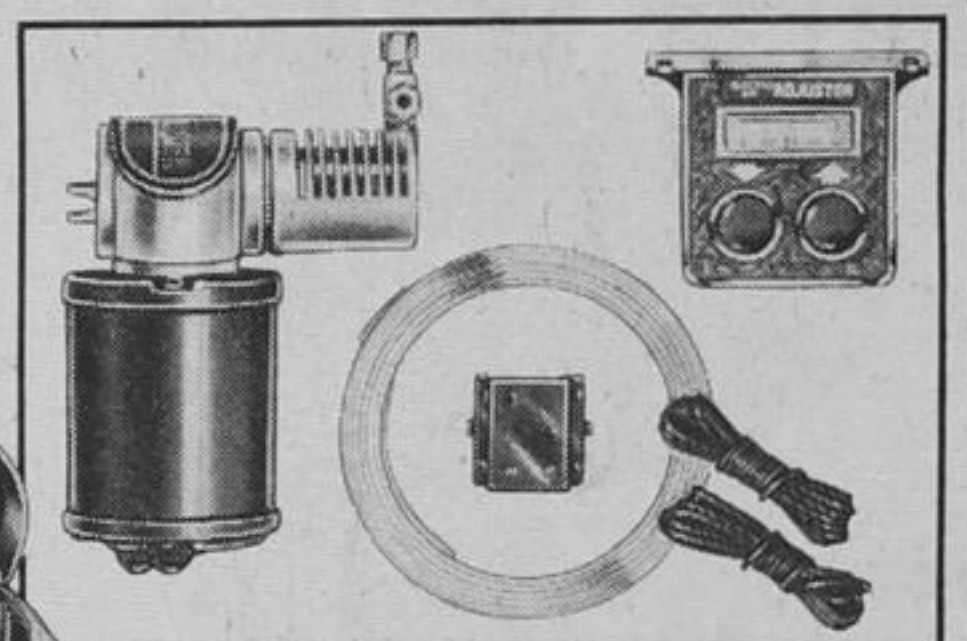
USE YOUR CANADIAN TIRE CREDIT CARD



Gabriel 24 Month Warranty (ask for details)

**Gabriel Hi-Jackers**  
**79<sup>95</sup>** Pair

Adjustable air shocks provide increased load capacity of up to 1,000 pounds. Maintain level of vehicle under load — yet still ride smooth. 0 to 150 psi. 22-1614X Hose Adapter Kit req'd for above . . . . . 16.79



Ride on Air for better load-carrying capacity and increased comfort

**Air Shock Compressor**  
**52<sup>95</sup>** Kit

Installs easily in car for instant inflation. 2-button dash unit provides fingertip control to increase or decrease pressure. With pump, control, hoses and fittings. For most air shocks. 22-1499



# CANADIAN TIRE

ASSOCIATE STORE

10288 YONGE ST., RICHMOND HILL  
884-1196

STORE AND SERVICE DEPARTMENT OPEN NIGHTS TILL 9 P.M.