



Lt. TERRY CHAPMAN
Accounting Grad

Lieutenant Terry Chapman, son of Mr. and Mrs. Grant Chapman 231 Ashlar Road, Richmond Hill, has completed the certified General Accountants Association course and received his CGA Degree.

Lt. Chapman who received his Business Administration Degree from Ryerson Polytechnical Institute is currently base accountants finance officer at CFB North Bay, headquarters for the Northern NORAD Region, and the Canadian Forces Air Defence Command.

He is married to the former Rosemary Gross, whose mother Mrs. Jean Gross lives at 344 Boisdale Avenue in Richmond Hill. Lt. Chapman is being posted to Canadian Forces Goose Bay, Newfoundland. The Chapman's have one child, Nadine Mary 3.

To Preserve 90-year-old School

Markham Township has agreed to purchase German Mills Public School and preserve it as a historical landmark.

The school was built approximately 90 years ago at its present site on German Mills Road. The late Alfred Rush of Unionville was one of the first pupils there, with members of the Tooley family.

The building was closed as a classroom in 1960 and since that time was used as the TSA 1 Board office and more recently, for storage purposes.

"I don't think you need to sell council on this purchase," commented Reeve Stewart Rumble as Councilor Allan Sumner urged that council buy the school.

On a motion of Councilor Sumner, seconded by Deputy-reeve S. J. Gadsby, a recommendation of the parks and recreation committee was adopted that the school be purchased for \$10,000. Purchase money will come from apartment or lot fees.

GORMLEY

Correspondent:
Mrs. Chas. Milsted
Telephone 887-5445

Neighborhood Notes

Congratulations and best wishes are extended to Mr. and Mrs. David Heise who were married at the Brethren in Christ Church, Mechanicsburg, Pennsylvania last Saturday.

David is the son of Mr. and Mrs. Russell Heise of Gormley and his bride is the former Joan Lehman, daughter of Mr. and Mrs. Robert Lehman of Mechanicsburg.

Mr. and Mrs. Heise will reside in Virginiatown, in northern Ontario, where David has accepted a teaching position.

Mr. and Mrs. Leslie Sheffer and family of Stayner visited Mr. and Mrs. Roy Brillinger and family on Sunday.

Twenty guests were entertained at a dinner held at the home of Mr. and Mrs. William Ash, Wednesday evening in honor of Mrs. James Pople of Luton, England, who is visiting her daughter, Mrs. Ron Holmes.

The community extends wishes for a speedy recovery to Lawrence Boynton, who is now home, following recent surgery at York County Hospital, Newmarket.

At this time of writing the postal strike is still in effect, but the Gormley Post Office remains open and the couriers are maintaining their daily service.

Church News

Reverend and Mrs. James Cober, missionaries on furlough from Barjora, India, were guest speakers at Heise Hill on Sunday evening.

Mrs. David Bennett entertained the junior ladies sewing circle at her home Tuesday evening.

Reverend Elwood Flewelling and Reverend Alvin Winger, accompanied by their wives are attending the ministers' seminar at Camp Kahquah this week.

The United Missionary youth fellowship group is planning a social evening at Bruce's Mill on Thursday evening (tonight). Cars will leave the church at 7:30 pm.

At the general conference held in Elkhart, Indiana last week, the merger of the United Missionary Church and the Missionary Church Association was approved by a vote of over 90 percent in favor.

"Without Onion" will be the film showing at Parkside Youth Centre this Sunday at 9 pm.

TO CLEAR! JOHNSON RAID Garbage Can Spray

Kills germs dead! Stops odors! **2.47** for **.47**

SAVE 85¢ — control offensive summertime odors in household waste containers. Prevents mold and mildew too! Handy 10-oz. push button spray. Just like getting one can free. Reg. 66¢ each.

Special Offer! Plastic GARBAGE CAN

LIMITED QUANTITY SPECIAL 2.44 each

There's always need for a big Garbage can like this — at home or cottage! 23" high, 16" wide, two-tone durable plastic. Snug fitting snap-on lid; side handles.



Save! S.T.P. Oil Treatment

Compare at \$1.29

SPECIAL .99

Silences. Tunes-up. Protects! A must for today's punishing highway speeds and stop 'n' go traffic. Gives quicker starts, better acceleration. Raises film strength, frees hydraulic lifters, reduces oil consumption. 15-oz.

Mid-Summer Warehouse Clearance

TO CLEAR 6-oz. AEROSOL TOUCH-UP

Discontinued Colours — **99¢ Size**

Sale Price 9¢ Each

Fast drying enamel in decorator shades of blue, brown, green and grey. Great for the car. New look for furniture, toys, appliances.

SPECIAL 13.88

FOLD-A-WAY Golf Cart
COMPARE AT \$15.95

Strong polished steel and aluminum. Folds for trunk-tote. 10" rubber wheels. **13.88**

SPECIAL 9.99

9-CLUB Golf Bag
COMPARE AT \$12.95

Roomy accessory pockets; Ball pouch. Smart black and red leatherette. **9.99**

SPECIAL 7.77

THREE TRAY Tackle Box
COMPARE AT \$10.77

14 1/2 x 7 1/2 x 7" high with 3-cantilevered trays, plastic hsp. carry handle. **7.77**

TRANSMISSION Sealer

Extends life, maintains tight seal, reduces noise and wear. 20-oz.

1.27 Reg. \$1.59

GUM-RID Conditioner

"Peps-up" carburetor! Frees fuel pump and gas line. 20-oz. can.

.88 Reg. 98¢

MOTO-MASTER BRAKE FLUID

1.27 Reg. \$1.59

MOTO-MASTER 5way COOLING SYSTEM CONDITIONER

Lubricates pump, stops leaks, resists rust and scale year 'round. 8-oz.

.64 Reg. 79¢

SUPER HEAVY DUTY Brake Fluid

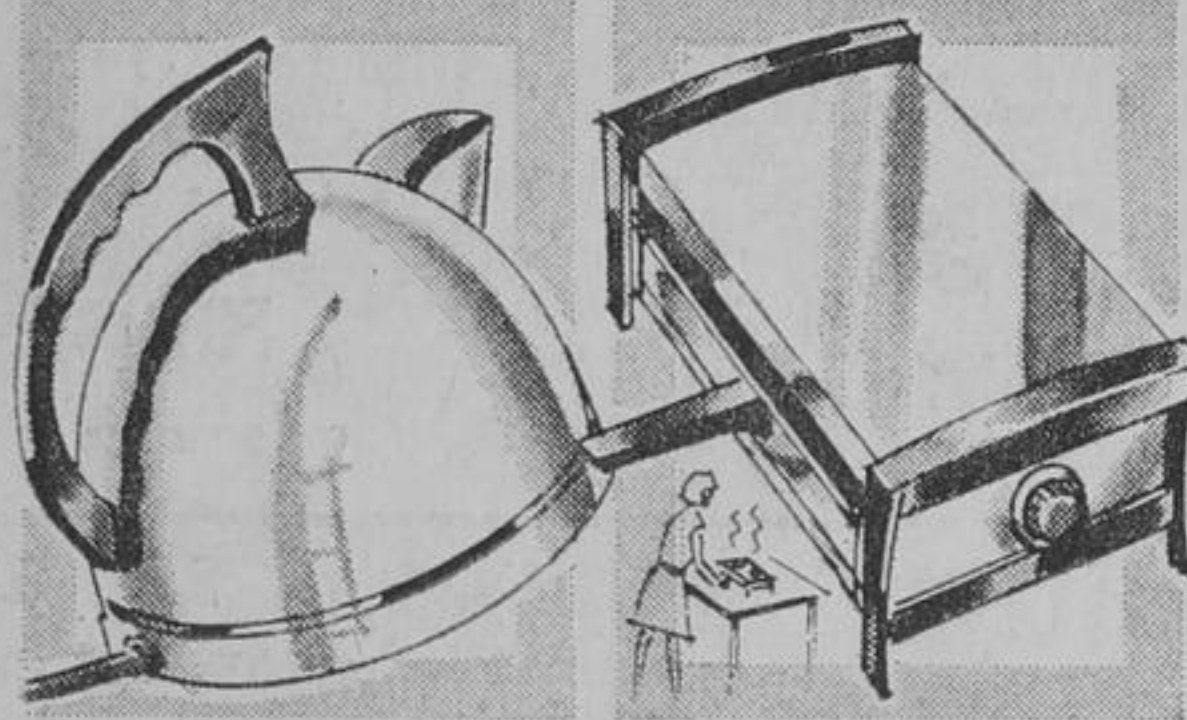
Exceeds SAE. specs. Withstands high braking temperature. 20-oz.

.94 Reg. \$1.10

COOLING SYSTEM Conditioner

Lubricates pump, stops leaks, resists rust and scale year 'round. 8-oz.

.64 Reg. 79¢

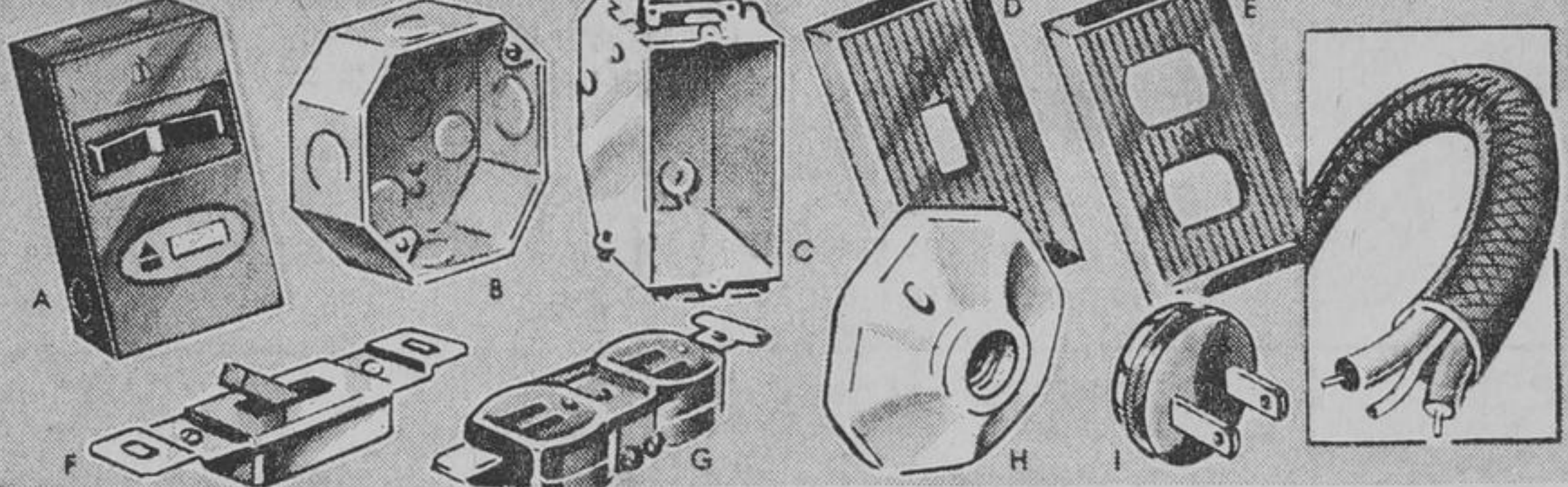


REDUCED! Electric Kettle 4.77 Reg. \$5.88

Speedy 2-quart size; 1500 watt element with safety shut-off.

"Silex Proctor" Toaster Broiler 4.77 Compare at \$9.77

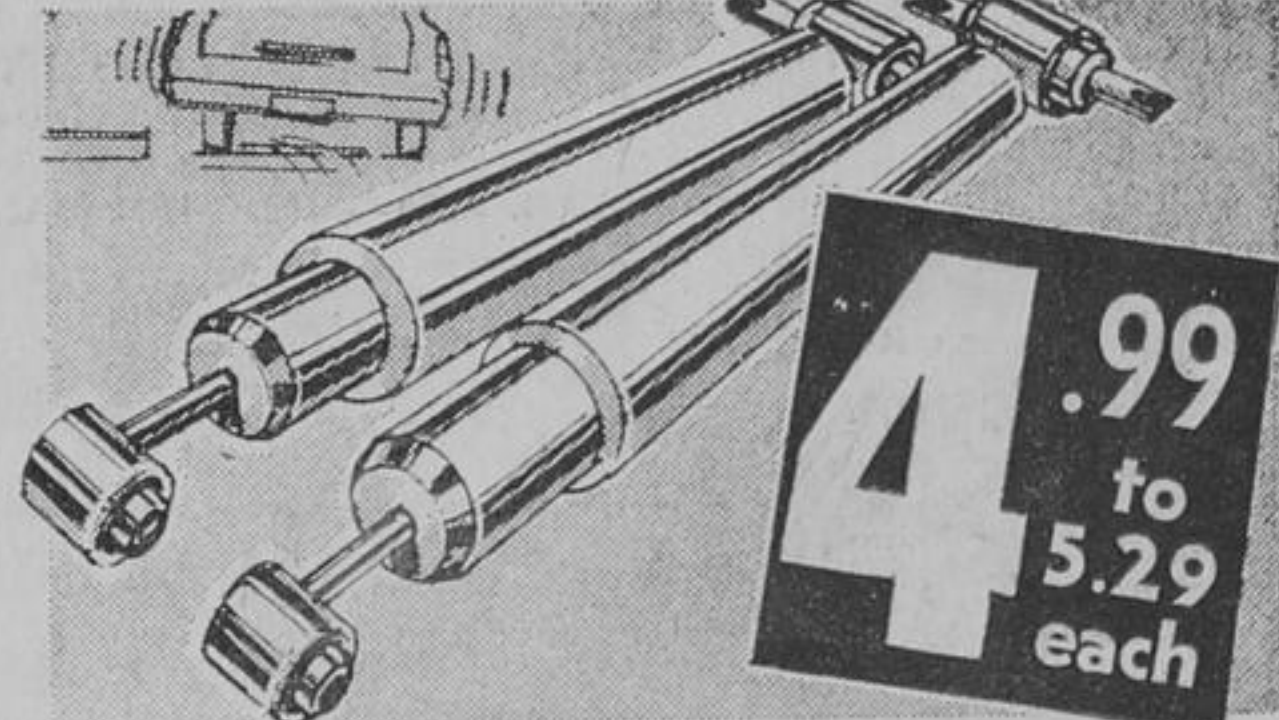
Thermostatic control prevents overheating. 13 1/2 x 9 x 4 1/2" deep.



Big Saving for the "Do-it-Yourselfer"

(A) KNIFE SWITCH BOX 20-amp 2-fuse. Reg. \$3.15	2.88	(D) WALL PLATE Single switch, Bakelite. Reg. 9¢	.07	(G) DUPLEX RECEPTACLE 3-wire ground. Brown. Reg. 34¢	.29
(B) OUTLET BOX Knock-outs. 4". Reg. 39¢	.34	(E) DUPLEX OUTLET PLATE Brown bakelite. Reg. 9¢	.07	(H) CEILING RECEPTACLE For 3 1/2" or 4" outlet boxes. Reg. 39¢	.34
(C) SWITCH BOX For Romex, BX, Loom. Reg. 39¢	.34	(F) TOGGLE SWITCH Flush type design. Reg. 23¢	.19	(I) PLUG CAP Brown bakelite. Reg. 13¢	.09

Romex-type WIRE Special **4 1/2¢** per foot
2-14 gauge wires plus ground.

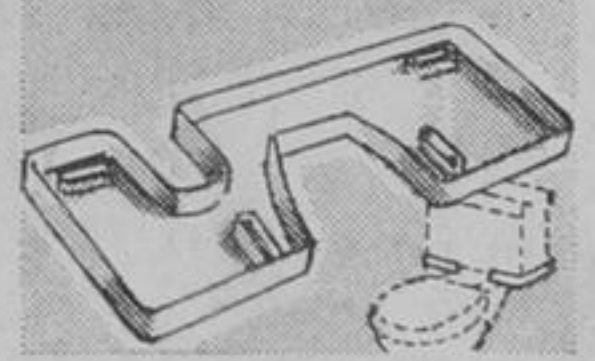


MOTO-MASTER Shock Absorbers

4.99 to 5.29 each

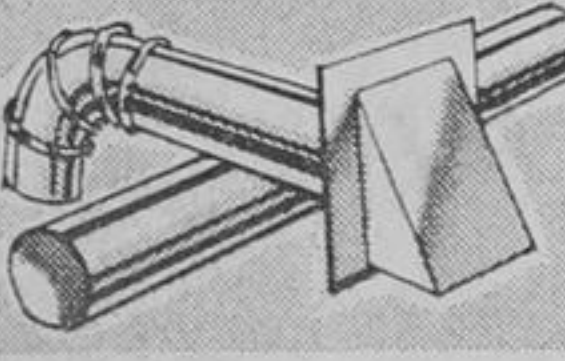
GUARANTEED 18000 MILES or 18 MONTHS

Designed to take the 'tilt' out of turns, the 'nose-dive' out of stops, and the 'bounce' out of bumps. Save now on fast expert installation too!



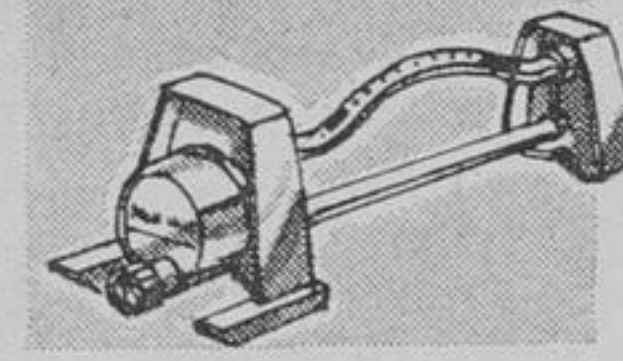
TOILET TANK Drip Tray 1.77 Reg. \$2.39

Fits underneath standard size tank to absorb moisture. Fittings.



DRYER EXHAUST Vent Kit 3.44 Reg. \$4.75

Includes 4" aluminum piping with floating damper. Outside vent.



OSCILLATING Sprinkler 2.22

Big Buy

Gentle water-sweep for total coverage without puddling. Won't rust.

Save \$2.50 Barrel Shaped COOLER 3.99

Savings by the Barrel-full!

Great for parties or picnics. Sturdy, molded from expanded polystyrene — water-proof and buoyant. Blue and white. Braided nylon handles. Approx. 18" x 15".

CANADIAN TIRE ASSOCIATE STORE

70 Yonge Street North, Richmond Hill
884-1196

Extra! Cash and Carry BONUS COUPONS

Apply for a **Can-Charge Credit Card Today**

376 999-765
JOHN DOE



Vinyl, Plastic and Leather Cleaner .99

Cleans around the home or car. Brush applicator. Compare at \$1.98

Squeegee Window Washer .69

6" cellulose sponge and rubber blade. Extra long 24" handle; sponge refill.

BABY MOON Hub Caps 5.55 SET

SAVE \$1.44 — Smart triple-plated hub cap to 'update' oldies. Reg. \$6.99