

### CHANGE OF TIME TABLES Effective Sunday, April 28th

LEAVE RICHMOND HILL  
(Standard Time)

TO ORILLIA 8.18 a.m. 1.43 p.m. 5.48 p.m. 6.48 p.m.	TO NORTH BAY 8.18 a.m.	TO MIDLAND 8.18 a.m. 1.43 p.m. 5.48 p.m. 6.48 p.m.
--	---------------------------	--

c—Sat. only; d—Daily except Sat., Sun. and Hol.; e—Sat., Sun. and Hol. only

Copies of the new time tables are available at all offices and agencies

All coach travel information at  
**G. A. DONNELLY, Telephone 177**  
**GRAY COACH LINES**

## To FARMERS

We have a good supply of Erban, Alaska, Victory and Banner Seed Oats

Also No. 21 O.A.C. and Velvet Barley and Spring Wheat

Special reduced price on Oilcake and Soybean Meal

Treat your grain with Ceresan. It pays. A good supply always on hand

Timothy and Clover Seeds

### I. D. RAMER & SON

Phone 10

The Elevator

### MAPLE

The regular meeting of the Y.P.U. was withdrawn Monday evening and the members attended the Rally held at Thornhill.

Mr. and Mrs. Kelly of Gananoque are visiting this week at the home of Mr. and Mrs. C. J. Robeson.

The combined Women's Association and Women's Missionary Society held their April meeting at the home of Mrs. L. Laver with twenty-five members present. An address "Making Your Life Count", was given by Mrs. H. E. Huenergard. Mrs. J. R. MacCrimmon gave the report of the W.M.S. conference. Lunch was served by the committee in charge, Mrs. A. Wilson and Mrs. F. P. Rumble.

Mrs. I. Watson, Mrs. Fred Cooper and Mrs. Harry Taylor attended the fiftieth anniversary of Trinity Church Women's Auxiliary at Thornhill Friday afternoon, April 19th. Miss Minnie Line and Mrs. Carl Black visited Monday at the home of Mrs. Geo. Lloyd, Toronto.

Thirty-five Maple friends of Al Forrest attended the graduating exercises of Emmanuel College held in Deer Park United Church, Toronto, on Tuesday evening, April 23rd.

On April 15th, twenty years ago, Miss Muriel Gould came from England to make her home with Mr. and Mrs. F. Line.

Miss Florence Cave spent a few days this week at the home of Miss Myrtle Keffer.

Congratulations to Bob Manning who has won the McLellan Scott and the R. H. Thornton scholarships at Knox College, and has led his year with first class honours.

Necessity is the mother of invention. That's why some boys invented a method of stealing gasoline out of parked cars.

### Thornhill

Warden and Members of the York County Council Honoured by Patterson Lodge A.F. & A.M. Thornhill

A very pleasing event took place at the regular meeting of Patterson Lodge Thursday, April 18th, 1940, when the officers and members honoured the Warden of York County, Bro. Earl Bales, who is a member of Patterson Lodge. He was accompanied by his colleagues of the York County Council and visitors from the various lodges of the County and the City to the number of over one hundred. After the business of the lodge had been disposed of, the Warden and distinguished guests were received and welcomed by W. Bro. Neil McDonald, the acting Worshipful Master. W. Bro. J. D. Lucas, County Solicitor and presiding Worshipful Master of the evening, occupied the chair and conducted the ceremony of the E.A. degree and was ably assisted by R.W. Bro. J. O. Little, P.D.D.G.M. Toronto District D and Ex-Warden of York County, V.W. Bro. Thos. Trench, P.G.S., and Reeve of Richmond Hill, Bro. Harold Sanders, Senior Warden of Richardson Lodge, Stouffville; W. Bro. K. C. Siddall, the Worshipful Master of Mimico Lodge, Mimico; Bro. Byron Stiver, Rowland Lodge, Mt. Albert; Bro. W. W. Gardhouse, County Treasurer, Humber Lodge, Weston; Bro. H. C. Rose, Waverly Lodge, Guelph; Bro. James Rennie, Richardson Lodge, Stouffville, and Reeve of Markham Township; Bro. J. S. Osborne, Newmarket; Bro. W. A. Roberts, Patterson Lodge; W. Bro. O. B. Heisey, P.M., Markham Union Lodge, and Reeve of Markham Village; Bro. F. J. MacRae, Wilson Lodge, Toronto; W. Bro. W. H. Pugsley, Malone Lodge, Sutton; W. Bro. J. P. Allan, Humber Lodge, Weston, and W. Bro. Allan P. Wheeler, Scarboro Lodge, Agincourt; W. Bro. Hilliard LeGard, P.M., Cathedral Lodge, Toronto. During the signing of the register Bro. F. J. Towel rendered a delightful solo with Bro. W. R. Howard at the organ.

At the conclusion of the ceremony W. Bro. Thos. Johnstone moved a hearty vote of thanks to W. Bro. Lucas and his staff of officers for the very creditable manner in which the degree was conferred. W. Bro. Lucas replied with a few appropriate remarks.

After the closing of the lodge the brethren adjourned to the banquet hall where W. Bro. McDonald presided. After the usual toasts the brethren were entertained by a delightful film "They Discovered America" sponsored by Gray Coach Lines. The Woman's Auxiliary of Trinity Church, Thornhill, celebrated the fiftieth anniversary of its founding on Friday, April 19th. A service was held in the church at which Rev. J. W. McDonald, rector of St. George's Church, Hamilton, and a former Thornhill rector, was the special preacher. Rev. E. W. G. Worrall assisted the rector in the service. Visitors were present from all parts of the Deanery of West York as well as Toronto and other points. The two remaining charter members were present, Mrs. Langstaff of Uxbridge and Miss Alice Wright of Willowdale.

After the service a social hour was spent in Lawrence Memorial Hall. The history of the organization was reviewed by Mrs. Ball, Mrs. Robinson and Mrs. M. Simpson. Congratulatory messages were given by Miss V. Summerhayes and Mrs. Cuttle of the Diocesan Board, and Mrs. Haynes, the Deanery officer for West York. A beautiful three-storey cake was sampled by all during the refreshment period, when tea and many appetizing delicacies were served by the hostesses. About 130 were present.

The visiting clergy were as follows: Rev. N. H. Noble, a former rector; Rev. J. H. Kidd, Woodbridge; Rev. F. V. Abbott, Schomberg; Rev. E. W. G. Worrall, King; Rev. A. J. Patstone, Newmarket; Rev. J. W. McDonald, Hamilton; Rev. W. F. Wrixon, Richmond Hill, and Rev. E. B. Cooke of Thornhill United Church. On Sunday evening Mrs. MacDonald, a missionary from Trinidad, gave an illustrated lecture with beautifully colored slides in Lawrence Memorial Hall. A new conception of the geography, industries and people was given those who were fortunate enough to be present.

### RICHVALE

The Women's Association will hold a sale of Work and Home Baking in Richvale Church on Wednesday, May 8th at 3 p.m. Afternoon Tea will be served.

Many a young man thinks he has been treated unfair by the fair sex.

### Noted Missionary Speaks At Gormley

Gormley and vicinity are to be very highly favored in the near future by a visit from Rev. A. W. Banfield who has served as a missionary in West Africa for nearly thirty years.

Rev. A. W. Banfield went out from Toronto to Nigeria, West Africa, in 1901 with the pioneer party of the Sudan Interior Mission. For fifteen years he labored among the Nupe (new pay) tribe of the interior. During those years he built five mission stations, reduced the native language to writing, prepared school books, a hymn book, two books of Bible stories, compiled a Nupe dictionary of 15,000 words, wrote a Grammar and numerous other books. He also translated the entire Bible into Nupe.

In 1915 Mr. Banfield was appointed General Secretary for West Africa for the British and Foreign Bible Society of London, Eng., which position he filled for fifteen years. During that period he travelled two hundred thousand miles in West and Central Africa. In 1928 he crossed the African continent twice by different routes, travelling 11,500 miles in seven and a half months. He has travelled extensively in the fields of sixty-four Missionary Societies in West, East and Central Africa. He enjoys the distinction of being a Fellow of the Royal Geographical Society of London, England.

His 1000 foot motion picture film of a Missionary journey from New York to Kano, the metropolis of Central Africa, shows typical village market scenes, witch doctors' activities, Juju men demonstrating their powers, scenes in the daily life of a hill tribe that wears leaves for clothing; frontier missionaries at home, travelling, preaching by the wayside and baptizing their converts. He has seen how missionaries are changing "Darkest Africa" into "Hopeful Africa" and the "White Man's Grave" being transformed into the "Black Man's Resurrection".

He has been invited here by the Young People's Society of the Gormley Mennonite Church.

### FIGURE THIS OUT

An Arab who had three sons and 17 horses, before his death wished to divide his horses among his sons according to the merit of each. To the first he gave one half; to the second one third, and to the third one ninth, and that night he died. As 17 horses could not be divided, a wise man of that tribe was consulted. He said he had a horse that he would put in to make an even number. Therefore, the first received half of 18, or 9 horses; the second, a third of 18, or 6 horses; the third a ninth of 18, or 2 horses, making 17 in all, and the wise man took his own horse home again.

### HAVE YOU A LAST WEEK'S LIBERAL?

We will pay 5 cents each for copies of last week's issue of The Liberal delivered to this office in good condition.

Buy Canadian, Buy British, Help Win the War.

### Sale Register

FRIDAY, APRIL 26—Auction sale of Farm Stock, Implements, etc., the property of J. G. Wells, Lot 6, rear half of second Concession, King Township, 1 1/4 miles east of King Village. Sale at 1 o'clock. Terms cash. F. N. Smith, Auctioneer.

FRIDAY, APRIL 26th — Auction sale of 35 Head of Dairy Cattle, Fresh Cows and Springers. All cattle are negative to blood test, 4 Horses and some Brood Sows, the property of W. J. Honey, on Lot 2, Con. 7, Markham. Terms cash. No reserve. Sale at 1 p.m. Prentice & Prentice, Auctioneers.

SATURDAY, APRIL 27 — Auction Sale of Furniture and Household effects on Church Street, Markham, the property of Mrs. John Postill. Sale at 2 p.m. No reserve. Terms cash. Prentice & Prentice, Auctioneers.

SATURDAY, APRIL 27th—Auction sale of Walnut Furniture, Musical Instruments and other furniture, the property of Wilmot White Estate, Maple Avenue, Maple, Ont. Terms cash. No reserve. Sale at 1 p.m. J. Carl Saigeon, Auctioneer.

TUESDAY, APRIL 30th — Auction sale of Farm Stock, Implements, etc., the property of the Estate of the late Wm. J. McAllister, Lot 1, rear Con. 3, King Township, on good road one mile south of King City. Terms cash. No reserve as farm is rented. Sale at 12 o'clock sharp. C. E. Walkington, Auctioneer. Full list in next week's paper.

SATURDAY, MAY 4—Auction sale of six acres of land, also Horse, Pigs, Oats, Furniture, Garden Tools, Hot Bed Sash, etc., the property of L. F. Bagg, Lot 15, Con. 2, Markham Township. Terms cash. Terms for land made known on day of sale. Sale at 2 p.m. D.S.T. R. H. Kane, Auctioneer.

SATURDAY, MAY 4—Auction Sale of 4 acres of land, frame cottage, good cellar, furnace, etc., stable, chicken house, household furniture, etc. No reserve on chattels. Property sold subject to reserve bid. Sale at 1 p.m. Terms cash. Property of Asa Kettlewell. Prentice & Prentice, Auctioneers.

SATURDAY, MAY 11th — Auction sale of Public Garage with frame Workshop in rear and Dwelling at 2.30 p.m., on the property, corner Weston Road and Ray Avenue, No. 1263 Weston Road, the property of James Ramesbottom. Terms 10 per cent on day of sale, balance 40 per cent in 30 days, and vendor if necessary is willing to accept mortgage for balance for term of five years at 6 per cent half yearly. For further particulars apply to James Ramesbottom, phone Maple 6123 or J. Carl Saigeon, Auctioneer, Maple, phone 11.

WEDNESDAY, MAY 15th—Auction sale of Valuable Residential property situated at 19 Richmond Street, Richmond Hill, also the Furniture, Household Goods, etc. belonging to the estate of the late Mrs. Agnes Coulter Campbell. J. C. Saigeon, Auctioneer.

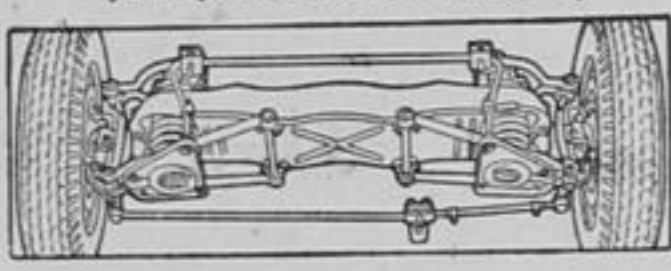


# Only Chevrolet has "THE RIDE ROYAL"

because only Chevrolet has all the modern features which make it possible!

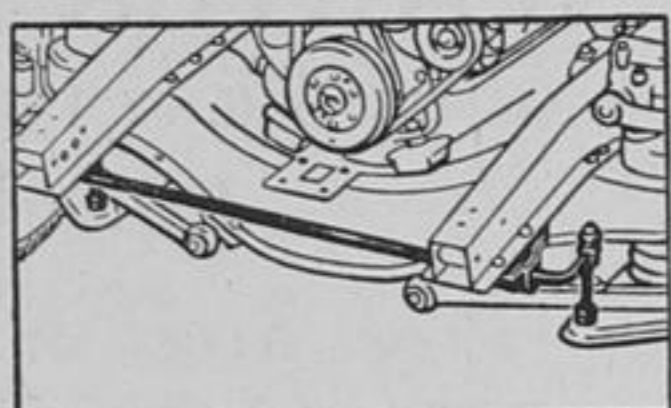
**CHEVROLET**  
Eye It  
Try It  
Buy It!

#### PERFECTED KNEE-ACTION (On Special De Luxe Models)



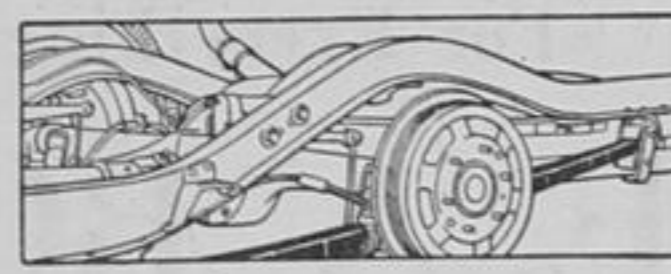
Assembled as an integral unit complete in itself, to assure perfect balance and, therefore, perfect springing, steering and braking in each individual car. Easiest ride on any road!

#### AUTOMATIC RIDE STABILIZER



Attached to the front end of the chassis frame, and linked to the lower Knee-Action member, it imparts genuine steadiness on curves and sharp turns!

#### SCIENTIFICALLY BALANCED SPRINGS



With double-acting shock absorbers, and with spring action varying automatically according to load and deflection, "balanced springing" assures uniform riding smoothness.

#### STABILIZED FRONT END



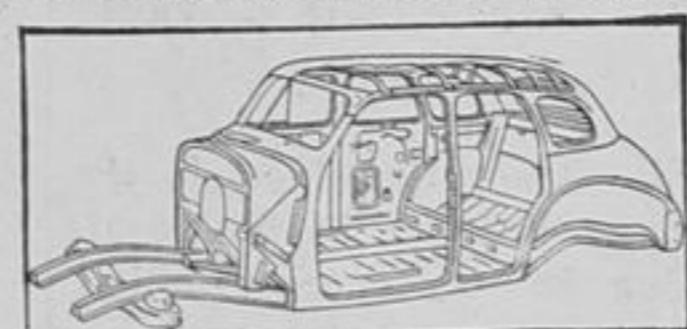
Radiator, hood, headlights and fenders are firmly and securely bound together in a rigid framework of structural steel to give true front-end stability. The Stabilized Front End means freedom from squeaks and rattles—saves you money on repair bills.

#### IMPROVED WEIGHT DISTRIBUTION



Scientific distribution of weight over springs in this longest of all lowest-priced cars—completes the story of today's finest ride, "Chevrolet's Ride Royal!" Come in and try it today.

#### RIGID ALL-STEEL BODY AND BOX-GIRDER FRAME



The strongest and most rigid body and frame construction known to modern automotive engineering—makes for solid, long-lasting comfort and safety.

## DAY-TONN MILLINERY

2504 YONGE ST. - NORTH OF CAPITOL THEATRE  
North Toronto  
NINE STORES IN TORONTO

WE INVITE YOU TO VISIT OUR STORE FOR  
DISTINCTIVE MILLINERY

### NOW IS THE TIME FOR THAT SPRING CHECK-UP OF YOUR CAR

General Repair Work — Greasing —  
Washing, Simonizing and Polishing  
Prompt Service and Careful, Efficient Workmanship  
We invite you to bring your motor troubles to us

## CANADIAN OIL SERVICE STATION

CECIL MABLEY, Prop.

WHITE ROSE GAS and ENARCO MOTOR OIL  
Telephone 156W North Yonge St., Richmond Hill

## THORNHILL MOTORS THORNHILL ONTARIO