

by Eileen Hocken  
Anyone entering Port McNicoll will notice one more of the village's efforts to beautify our small community.

The Council authorized the construction of three lovely wooden planters which have been placed on village property on First Street. A flag pole and flag will also be going up shortly on the same spot.

Art Bell, who can always be counted on to show his community spirit, has volunteered to water the flowers for the village.

Many improvements have taken place in Port McNicoll in the past few years. The residents are taking pride in their homes and properties and a major clean-up has taken place.

With the exception of a few scattered properties, yards are free of litter and nicely landscaped, with small neat gardens. There are no more scrap cars collecting rust in back yards either.

The Property Standards Board has had something to do with bringing properties up to standards. Their job is to see that unkempt yards are cleaned and if the owners will not do so after being warned, the Board will have them cleaned and the owners must foot the bill.

A little problem that's been upsetting quite a few residents during the summer months is that of youngsters trespassing on other people's properties and making off with whatever flowers they can get their little hands on.

While mother might appreciate a nice little bouquet from her darling son or daughter, the owners of those particular flowers are not too pleased to find their choice blooms

have disappeared. Please teach your children that they are not to pick flowers from other people's yards. Packets of flowers are not expensive. Let the child grow his or her own.

An Adult Dance will be taking place at the Community Centre on Saturday, June 19. Everyone is welcome! The Port McNicoll Recreation Board is sponsoring this evening of entertainment.

Music will be supplied by E.S.P. This band was quite popular at the last dance - a good reason for them being asked to return and play for us.

If you have nothing else on the go, do plan on attending this community dance.

Donations other than clothes are needed for the Community Garage Sale and Craft Show which will take place at the Community Centre on Saturday, July 3.

This is another event sponsored by the Recreation Board. If everyone in the village contributed even one article, they'd be surprised at the amount of goodies that could be collected for this Garage Sale.

Please be generous and support your community with this project. Your donations will be picked up by members of the Recreation Board, just give them a call.

On Wednesday, June 9, 42 Grade 8 students from Port McNicoll Public School departed via Gray Coach for the first stretch of their trip to Ottawa.

They were accompanied by three teachers, Mrs. Horvat, Mr. Macklin and Mr. Parkhill and the school secretary, Mrs. Sandy Aiken.

Their's was a busy itinerary! They toured Old Fort Henry in

Kingston before continuing on to Ottawa. While in Ottawa, the students and their chaperones stayed at Carleton University.

The students also toured the R.C.M.P. Barracks and the Museum of Man and Natural Sciences. They then went on a tour of

the Parliament Buildings and met with MP Mr. Doug Lewis in the Main Foyer of the Parliament Buildings. The youngsters also

enjoyed a driving tour of Ottawa and Hull, Quebec, and a tour of the National Aeronautical Collection.

On Friday, before leaving Ottawa for home, a tour of the Museum of Science and Technology and a tour of the War Museum took place.

**Woolco**  
CATALOGUE STORE

**Take advantage of us...**

**Remember Dad!**

Offers expire June 22, 1982. Limited Quantities



Save 15.00! Sunbeam electric mower

**79<sup>81</sup>** each

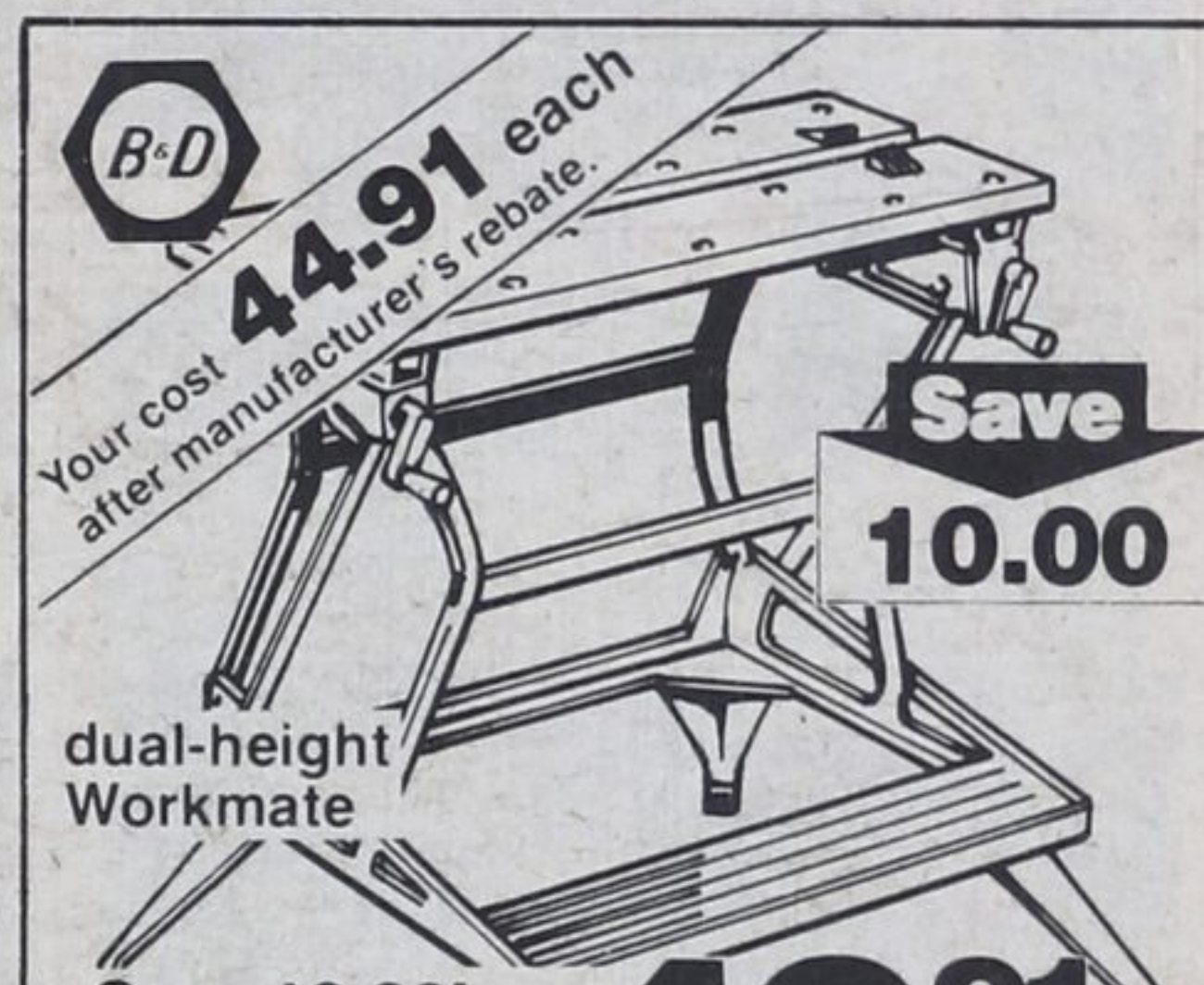
Was 94.81. 92654, item E, page 13, Spring Catalogue.



Save 20.00! Gran Prix 19" rotary mower

**129<sup>91</sup>** each

Was 149.91. 92630, item F, page 13, Spring Catalogue.



B-D  
Your cost **44.91** each after manufacturer's rebate.

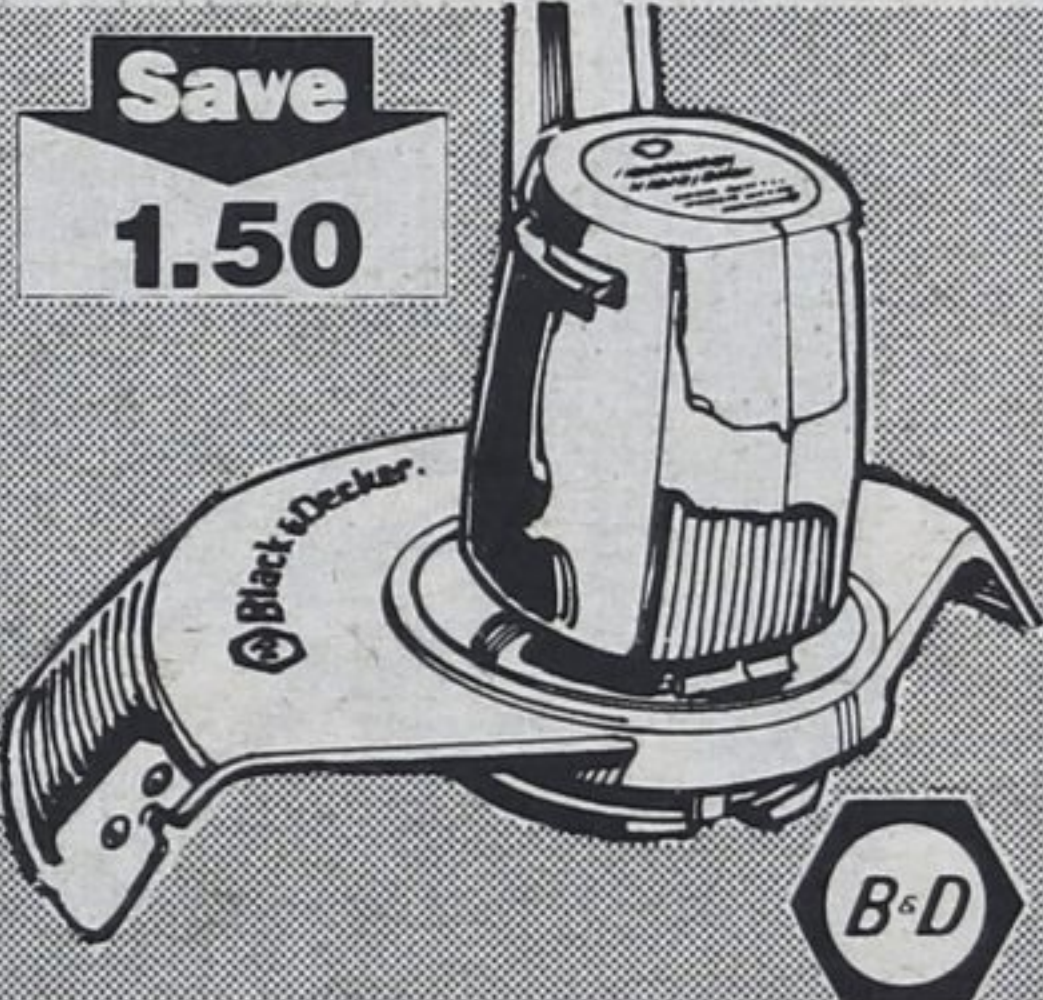
dual-height Workmate

Save 10.00! Black & Decker Workmate

**49<sup>91</sup>** each

Was 59.91. 27181, item G, page 43, Spring Catalogue.

Get a \$5.00 cash rebate from Black & Decker! To get your \$5.00 cash rebate from Black & Decker Value Offer, 100 Central Ave., Brockville, Ontario, K6V 5W6. Mail enclosed B&D registration card and cash register receipt as proof of purchase. Offer valid only on this Workmate. Offer expires June 30, 1982. Allow 4-6 weeks for rebate return.



Save 1.50

Save 1.50! Black & Decker Whipper Snipper

**17<sup>38</sup>** each

Was 18.88. 92573, item 17, page 12, Spring Catalogue.



Save 10.00

Save 10.00! Men's 'Hey Jude' melody alarm watch

**19<sup>83</sup>** each

Was 29.83. 84481-goldtone, 84480-silvertone, item 5, page 244, Annual Catalogue.



Save 30.00

Turco Alpine single burner gas barbecue with tank

**139<sup>91</sup>** each

Was 169.91. 90221, item 18, page 9, Spring Catalogue.



Save 5.00

Save 5.00! Prosonic 'Sportabout' AM/FM stereo

**34<sup>95</sup>** each

Was 39.96. 72385, item G, page 51, Spring Catalogue.



Save 5.00

Save 5.00! Polaroid Sun 640 instant camera

**62<sup>33</sup>** each

Was 67.33. 70142, item D, page 45, Spring Catalogue.

**PGH births**

The most recent reported birth at Penetanguishene General Hospital was that of a girl on June 11, weighing eight pounds, the daughter of Mr. and Mrs. Ernest Quesnelle of RR 2, Midland.

seven pound five ounce boy.

A boy weighing seven pounds five-and-one-half ounces was born to Mr. and Mrs. Steven Bell of Perkinsfield, and a girl weighing eight pounds seven-and-one-half ounces was born to Mr. and Mrs. John Tremball of Penetanguishene, on June 9.

The day previous Mr. and Mrs. Paul Dutton of RR 1, Wyebridge, became the parents of a

**Ten charges laid**

During the eight days ending yesterday, 10 persons were charged with violating the Liquor Licence Act by Midland OPP officers. Six drivers were charged with being impaired.

**WILLIAM P. TAWS, LL.B.**  
BARRISTER, SOLICITOR & NOTARY

IS PLEASED TO ANNOUNCE THE OPENING OF HIS LAW PRACTICE AT

521 BAY STREET WEST

MIDLAND, ONTARIO

L4R 1L2

TELEPHONE (705) 526-7865

BUSINESS HOURS:

MONDAY TO FRIDAY 9:00 A.M. TO 5:00 P.M.

SATURDAY 9:00 A.M. TO 12:00 P.M.

If you find a better current price on any identical item in any other Canadian catalogue store, we will match the price or refund the difference.

**Huronian Mall,  
Hugel Ave. W. & Hwy. #27, Midland**

**BRING YOUR FILMS TO US**

FOR PROMPT QUALITY  
PHOTOFINISHING WITH  
FULL RANGE OF SERVICES