

Vasey news

by Eleanor Edwards and Mrs. Harold Graham

Mr. and Mrs. Lawrence Edwards, Joanne and Jeffrey and Mrs. Cliff Tinney of Elrose Sask. are visiting relatives in the community this week. On Saturday, a family dinner was held at the home of Mrs. John Moriarty. Mr. and Mrs. Neil Edwards, and family of Wasaga Beach were also there.

On Friday, Mr. and Mrs. Melvern Isaac and Janet and Mr. W.A. Isaac visited in Stayner with Mr. and Mrs. Aubrey Fleming and family. Sunday visitors with Mr. and Mrs. Bill Isaac, Mr. W.A. Isaac of Midland and Mrs. J. Bell of Unionville.

Mr. Herbert Platt has returned to Germany after spending the past few weeks visiting with Mr. and Mrs. Erich Wagner and family.

Mr. and Mrs. Eldon Nixon, Cheryl, Scott and Bradley spent the holidays with Mr. and Mrs. Charles Brown. Christmas Day they spent with Mr. and Mrs. Don Bell and family of Crossland.

Mr. and Mrs. Fred Edwards and Blake spent Christmas with Mr. and Mrs. Elmer Brown and boys of Dalston. Visitors with the Edwards during the weekend were Mr. and Mrs. Charles Doakes of Guelph and Katherine and Marvyn Hawke of Brampton. Mr. Les Edwards spent Christmas Day with Mr. and Mrs. Doug Edwards and family of Coldwater.

Mr. and Mrs. Kurt Benke and Andrew were in Toronto for the holidays to visit with Mr. and Mrs. George Boghic.

Mrs. W.D. Pretty of Regina is spending some time with Mr. and Mrs. Ross Faint.

Sunday visitors of Mr. and Mrs. Lloyd McDonald were, Mr. Neil Sheardown and daughters, Cora Lee and Mary Ellen of Roseneath, Allan Sheardown of Maxwell and Gerald Corbett of Mississauga.

Mr. and Mrs. Alvah Stewart had their family home for Christmas, including John Stewart, who has just returned home from Australia.

Ross Rummy of Burlington spent the Christmas weekend with Mr. and Mrs. Frank Rummy.

There will be no Sunday School at the Vasey United Church on January 1. The new session will commence on January 8, 1978.

Holiday visitors with Mr. and Mrs. Vic Wilson and family were Mr. and Mrs. Dwayne Turcott and family of Peterborough and Steven Preiss of Waterloo.

Mr. and Mrs. Blain Edwards and boys of Windsor are visiting Mr. and Mrs. Roy Edwards for the holidays. The family gathered at the home of Mr. and Mrs. Don Woodrow for Christmas.

Mrs. John Moriarty, Marilyn and Eddie spent a couple of days with Mr. Moriarty aboard the ship Progress.

Last Wednesday, Mr. Bill Armstrong of Thornbury visited with Mr. George McLay. Christmas Day Mrs. McLay had all her family home.

Monday visitors of Mr. and Mrs. Ken Robinson were Mr. and Mrs. Calder Hunter and family of Crossland, Dr. and Mrs. Alan Robinson and Adam of Mississauga and Mr. and Mrs. Grant Robinson and boys.

Mr. and Mrs. Ron Duntun of Toronto spent Monday with Mr. and Mrs. Frank Smitham.

Mr. and Mrs. Clare McKeown and Allan enjoyed Christmas with Mr. and Mrs. Bob McKeown and family in Bracebridge.

Christmas Day, Mr. and Mrs. Earl Edwards had their family all home. Mrs. Ethel Turner of Angus visited with Mr. and Mrs. Brian Turner and family for the holidays.

Mr. and Mrs. Lloyd Gratrix and family, of Peterborough Mr. and Mrs. Leonard Edwards of Owen Sound spent Christmas weekend with Mr. and Mrs. Orval Edwards and Gregory. Mr. and Mrs. Ted Vasey entertained their family at home on Christmas Day.



Winter Express Radial
E78/14 WHITEWALL
47⁴⁰ Each
Two or more after discount* **42¹⁸** each

60 to 80% of snow still to fall

According to Government statistics, from 60 to 80% of Canada's snow falls after January 1st. That means there's a lot more to come and you're going to need snow tires to get through it all. We have the best snow tire values for you in all constructions right up to top-of-the-line radials.



Winter Express Nylon
E78/14 BLACKWALL
24⁴⁰ Each
After discount for cash* **23¹⁸** each

Winter Express Polyester
E78/14 WHITEWALL
28⁹⁰ Each
Two or more after discount* **25⁵⁵** each

Winter Express Polyflex
E78/14 WHITEWALL
29⁹⁰ Each
Two or more after discount* **26⁵⁰** each

Glass-Belted Winter Express Radial Snow Tire

Rigid treadface & coarse-cleated tread provide up to 80% more snow traction than summer radials

The Winter Express Radial is a great traction tire with bold, rugged, self-cleaning cleats that develop exceptional bite in heavy snow. Built lighter for a softer, smoother ride with a polyester body encircled by two glass belts. Extra traction for winter action.

5 Year Road-Hazard Insured

Whitewall sizes	One tire price	2 or more each after discount*
155SR-13	39.75	34.91
165SR-13	42.95	37.95
BR78/13	42.90	37.90
DR78/14	45.80	40.66
ER78/14	47.40	42.18
FR78/14	49.45	44.13
GR78/14	51.40	45.98
FR78/15	49.90	44.55
GR78/15	51.30	45.88
HR78/15	54.95	49.35

Choose Nylon (A), or Polyester (B)

Select the Winter Express 4-ply nylon or polyester for tops in winter performance. Both are produced from the same molds. Nylon blackwall offers strength at low cost, while polyester whitewall eliminates cold-start thump.

5 Year Road-Hazard Insured

Winter Express 2+2 Polyflex with BPT

C. Our polyester-belted nylon winter tire has Big Paw Traction (BPT) to make it a real snowbeater. BPT is a blend of natural and synthetic tread rubbers that grip ice almost like studs. Yet it still has a resilience at well below freezing. And it's a top-performing tire. Two plies of tough Du Pont-66 Nylon provide strength, and that's topped off with two polyester belts to ensure a solid open tread-face for peak performance.

5 Year Road-Hazard Insured

Winter Express Snowfighters						
	Nylon blackwall		Polyester whitewall		Polyflex whitewall	
Tire size	One tire price	Each after discount*	One tire price	2 or more each after discount*	One tire price	2 or more each after discount*
600/12#	—	—	26.45	23.23	26.95	23.70
A78/13	20.30	19.28	24.80	21.66	25.80	22.61
B78/13	21.80	20.71	25.80	22.61	26.80	23.56
C78/13	22.80	21.66	26.80	23.56	27.80	24.51
C78/14	23.30	22.13	27.80	24.51	28.30	24.98
E78/14	24.40	23.18	28.90	25.55	29.90	26.50
F78/14	25.95	24.65	30.40	26.98	31.45	27.98
G78/14	27.30	25.93	31.80	28.31	33.30	29.73
H78/14	29.40	27.93	33.80	30.21	34.80	31.16
560/15	21.30	20.23	25.80	22.61	—	—
F78/15	26.30	24.98	—	—	31.90	28.40
G78/15	27.75	26.36	32.65	29.12	33.45	29.88
H78/15	29.45	27.98	34.45	30.83	35.45	31.78

tread not shown

Dynamic Wheel Balance

Protect your new tire investment by having a professional off-the-car wheel balance. You'll get better ride performance and longer wear. Weights included.

3⁵⁰ each tire



No extra charge for passenger tire installation on most standard rims when you buy a Dill or Schrader valve at our regular price of \$1.00. We must install our new tire and valve together.

5 Year Road-Hazard Insurance covers tires against damage caused by road conditions which renders them unsafe.

***5% Discount for cash payment on tires in lieu of Cash Bonus Coupons**

Due to heavy seasonal demand, we may be temporarily out of stock on your size but we will gladly take your order



Enjoy the Luxury of Simulated Sheepskin

1. Super-soft simulated sheepskin looks great, feels great and wears long. Natural sheepskin color. Available for sedan, coach or rear seat and pairs for small, regular or high-backed bucket seats. As above, for Van & Truck Seats... 19.99

18⁹⁵

Infra-Ray Heated Cushion

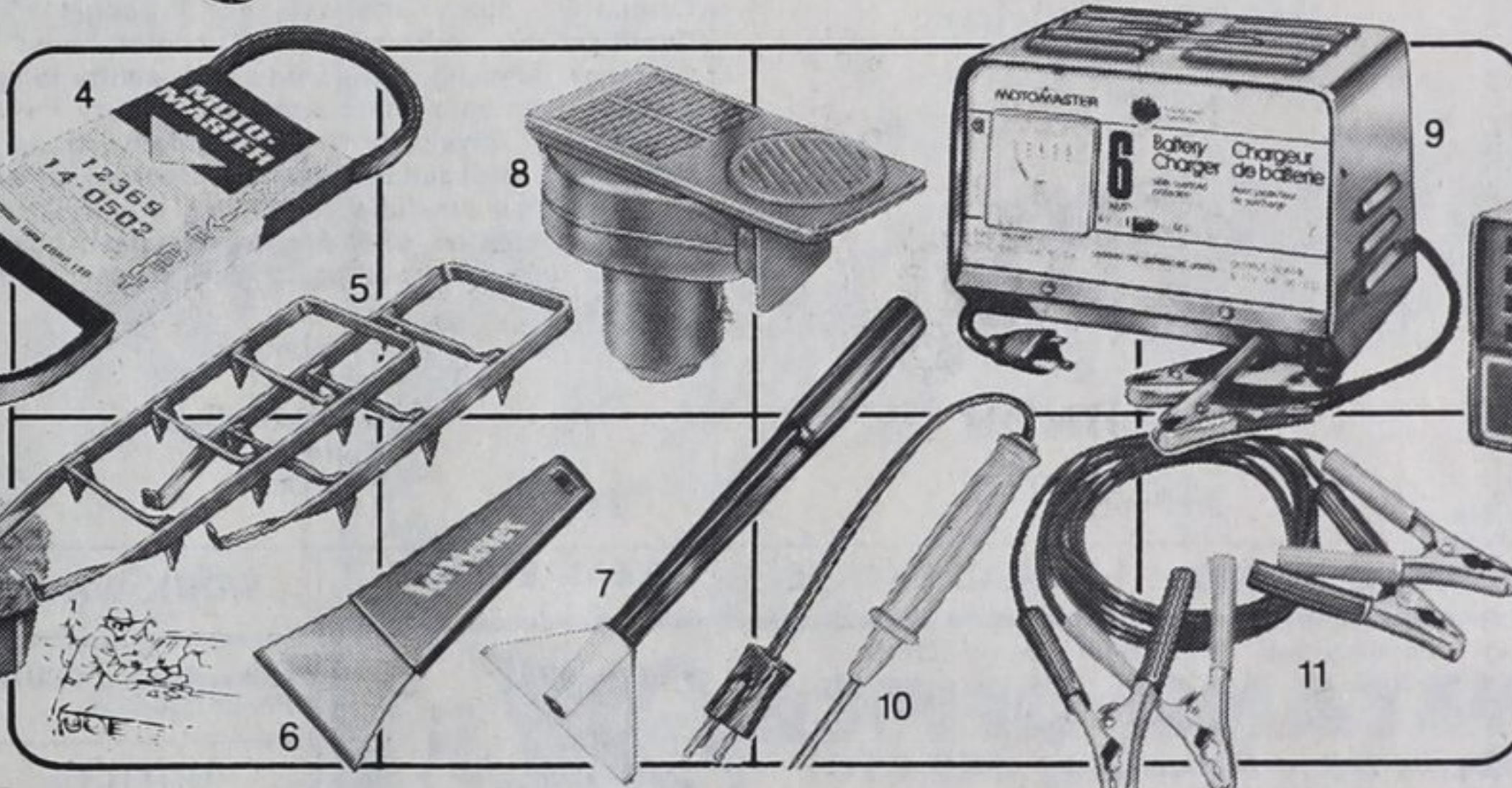
2. Plugs into car's 12V cigarette lighter for a warm ride. Red or Black.

13⁴⁹

Comfortable Car Cushion

3. One-piece seat zips apart to make two cushions. Soft and warm acrylic pile.

5²⁹ front or rear



Motomaster Automotive Fan Belts

4. Made to exacting specifications. Each

1³⁹ to 3⁶⁹

Super on-the-spot Traction Aid

5. 2 steel plates with deep-biting spikes. For car tires.

11⁹⁵

'Ice Mover' Clears Windows Fast

6. Tough plexiglass blade removes heavy ice easily

77[¢]

Ice Scraper and Squeegee

7. Fine and coarse blades of non-scratch plastic.

1⁴⁹

Electric Rear Window Defogger

8. Drop-in unit for most 12V cars from 1955. With switch.

19⁹⁹

6 and 12-Volt Battery Charger

9. Flip a switch for 6 or 12 Volt charging. 6-amp unit.

21⁴⁹

Sure-start Dipstick Heater

10. Flexible stainless steel tube keeps engine oil warm.

12³⁹

8-foot Battery Booster Cables

11. Joined to prevent tangling. 8-ga copper wire, 200A clips.

6³⁹

Slim-Style Car Interior Pre-Heater

Chases Chills **22⁹⁵**

12. Get off to a warm start. Hi-to-Lo thermostat and rotary control lets you adjust fan-forced heat to your liking. Fits under dash with mounting bracket included. About 7 1/2 x 2 1/2 x 8" deep. Complete with 9-ft. 3-wire cord.



Apply for a Canadian Tire Card or Save with Cash Bonus Coupons



EXTRA SAVINGS! 4% CASH & CARRY BONUS COUPONS

David J. Finch Ltd., 478 Bay St. 526-9321

**CLOSED FOR INVENTORY
Wednesday, January 11th All Day**