

AN AUTOMOBILE ENGINE is not the simplest piece of machinery in the world as these four students are finding out. They worked on the engine as part of an auto mechanics display at

the MDHS open house Thursday evening. An estimated 500 people visited the school for the exhibitions.

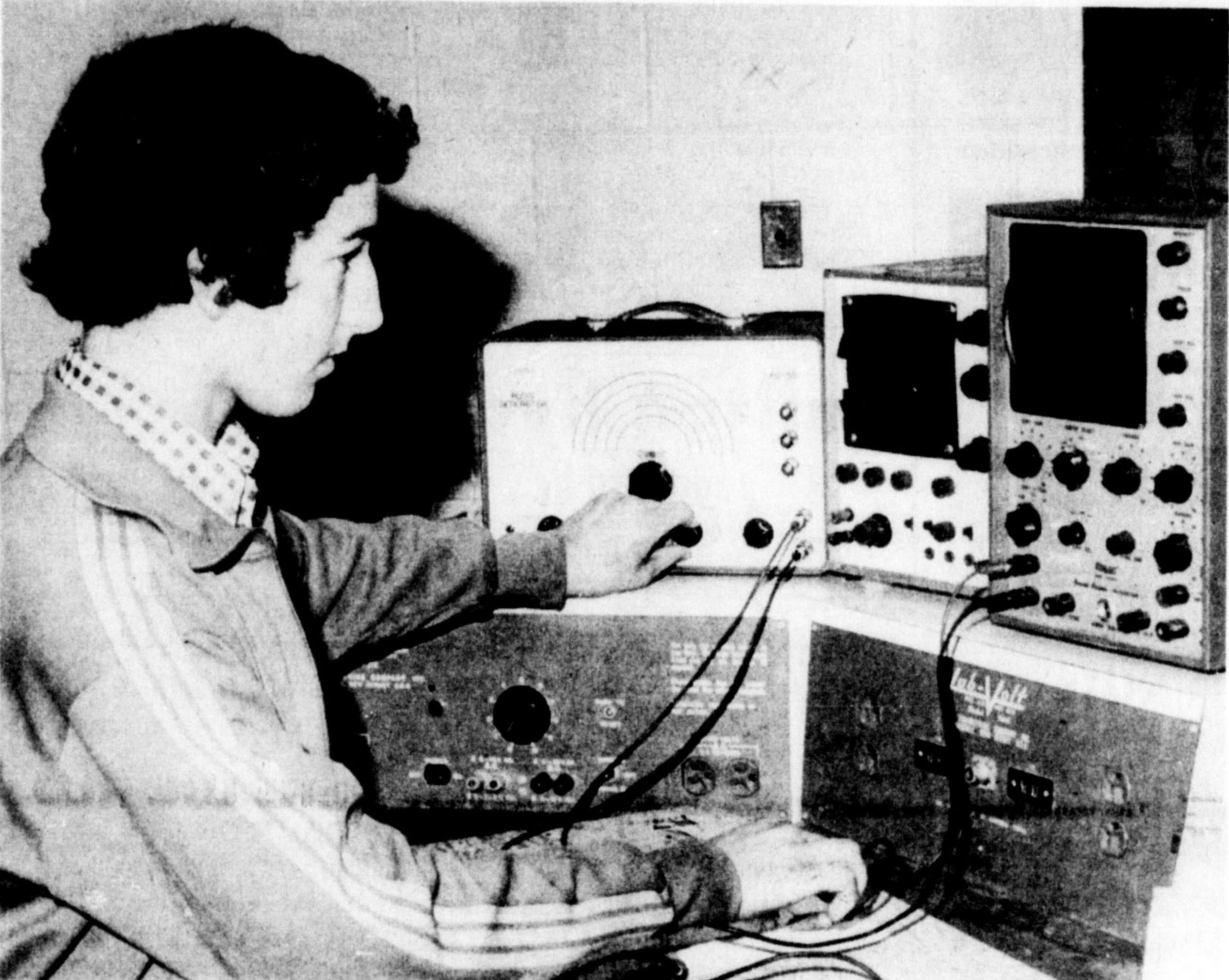


THE MDHS CHOIR performs a Christmas carol under the direction of Judy Hunter (right) at the high school open house Thursday evening. The choir sang several carols and songs in the cafeteria. School officials said it was the most successful open house in the school's history.



A LION BECOMES fire chief, courtesy of Jeff Feenstra who caps the stuffed beast as Kathy Wierenga looks on. The display was done by the marketing students at Milton high school as part of its open house Thursday evening.

Photos by Peter Mills



COMPLICATED MACHINERY it may seem, but actually it is nothing more than a basic amplifier circuit. Frank Olsthoorn uses oscillos-

copes to try to perfect his experiment. By hooking the circuit to an electrical current, Frank can determine whether his job is finished.

Chicks win at RWF

Milton poultry breeders Alf Waldie and Don Brethet did well in Royal Winter Fair poultry classes again this year. Brethet took 10 firsts, 13 seconds, four thirds, eight fourths and one championship, while Waldie poultry entries claimed two firsts, a second, a third, a fourth, and a rosette for best of breed on only five entries.



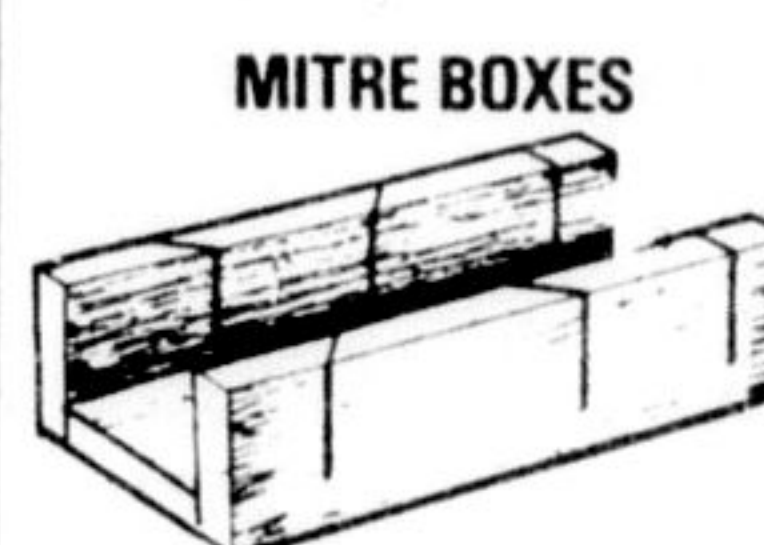
MILTON PARKS AND RECREATION DEPARTMENT

PROGRAM REGISTRATION NOTICE

The Milton Parks and Recreation Department will be accepting Program Registrations for their 1979 Winter Recreational Services on **Thursday, December 14, 1978**. The 1979 Winter Program Brochures will be placed in the mail on Friday, December 8, 1978. To ensure that the entire Town of Milton will have complete mail coverage of the Brochure we **WILL NOT BE ACCEPTING** any completed registrations until **Thursday, December 14, 1978**. This new procedure will hopefully allow all citizens a fair chance in registering in the Winter Programs. It is the Department's policy to accept registrations on a "first come, first serve" basis. If your household does not receive a Brochure before December 14, 1978 please feel free to drop down to the Parks and Recreation Department located at 251 Main Street East (Town Hall) to pick one up. Registrations will be accepted by **MAIL ONLY!** Participants have the choice of **MAILING** their registration into the office, or dropping the completed registration in the mail drop installed outside the Parks and Recreation Office. We hope that all interested participants will be accommodated in the Programs of their choice.

YOU'RE GOING TO GIFT IT RIGHT

GIFT THE MAN IN YOUR LIFE WITH SOME NEW TOOLS



From \$3.35



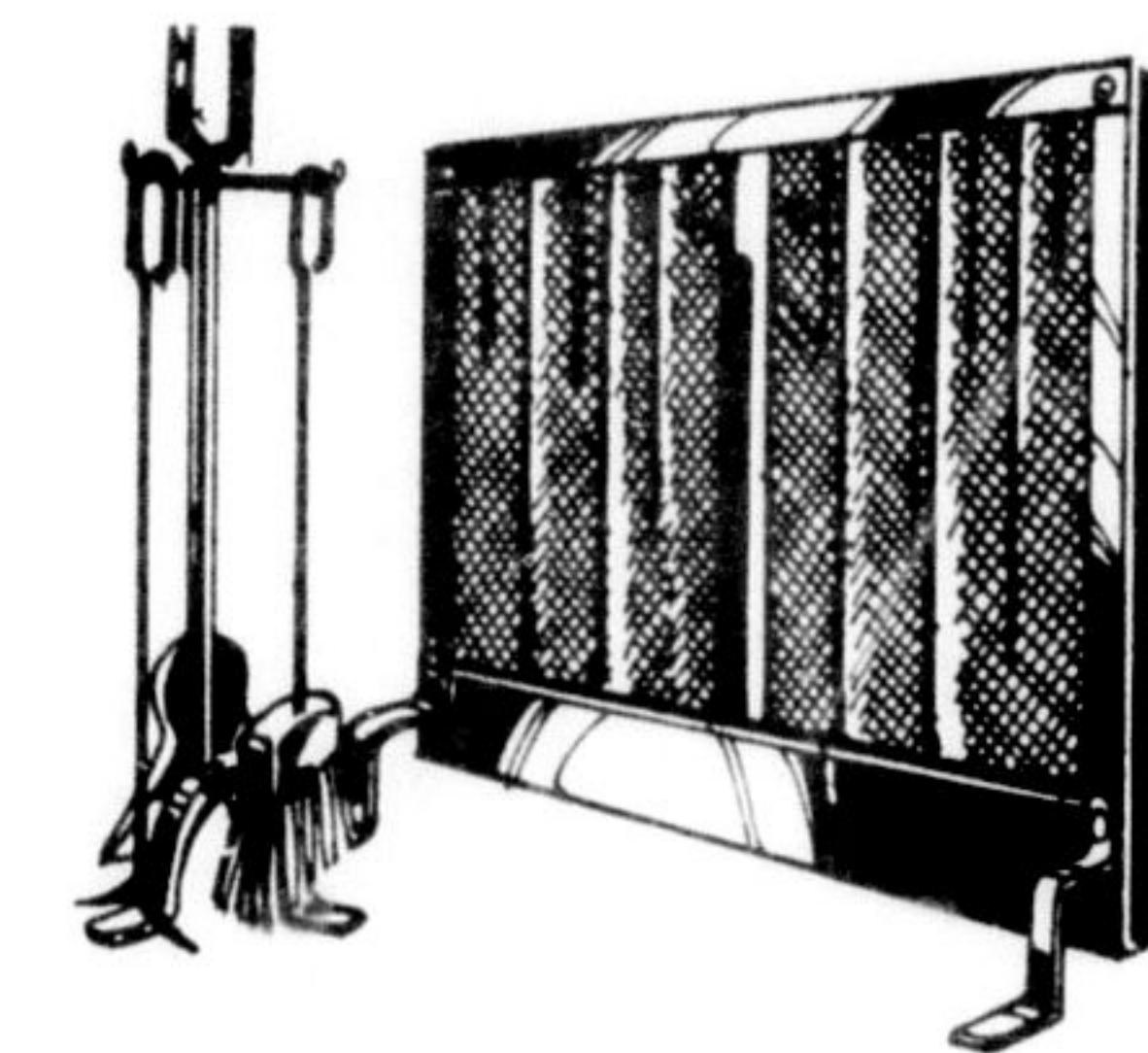
From \$5.49



From \$5.89



From \$3.10

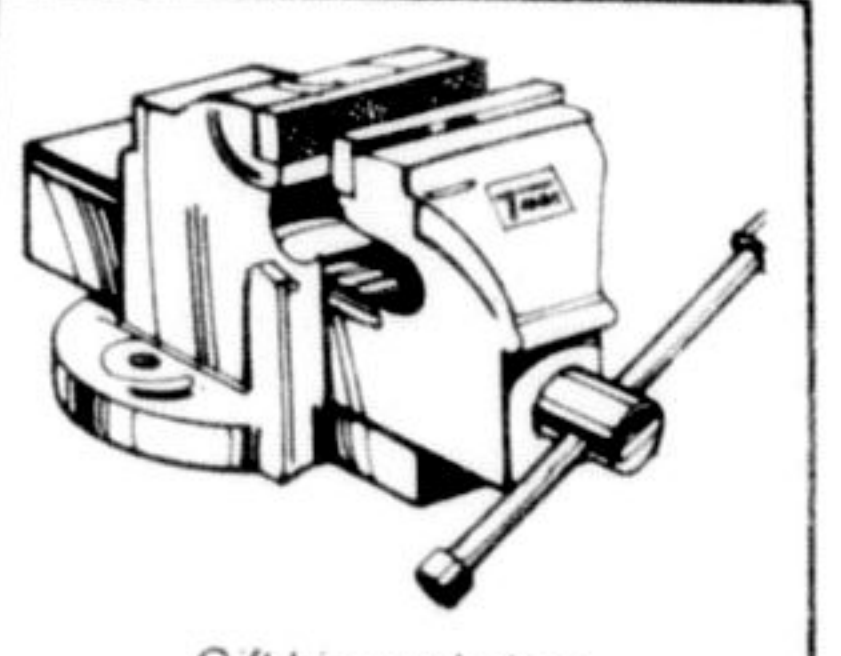


Warm Gift Ideas FIREPLACE ACCESSORIES
We carry a complete assortment of Firescreens, Firesets, Cradles, Woodholders, almost anything you need for your fireplace.
GOOD GIFT SUGGESTIONS

10% off



Stocking Stuffers
DO-IT-YOURSELF BOOKS
Guaranteed a "Thank You" every project.
10% off



Gift his workshop
3" BENCH VISE
His bench will thank you, he will thank you for this great gift idea.
FROM \$18.95



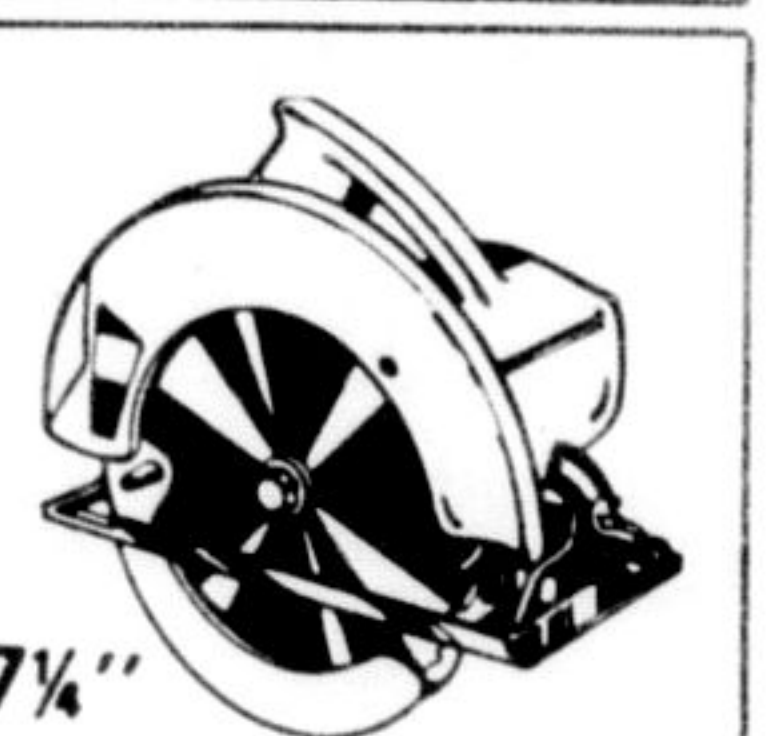
Handy Utility KNIFE
Complete with 5 blades that store in handle.

From \$2.29



Save \$13.45
10% Reg. Price \$14.95

SAW SHARPENING
Handsaws \$2.50
Circular \$2.25
Blades up to 8" OVER 8" ADD 50¢ PER INCH



SKIL SAW
A big saw that has both power and capacity for tough cutting jobs. Includes blade, sawdust ejection system and accurate controls.
Model No. 574C
\$46.95
Regular Price \$53.95

PARTY SEASON IS NOW UPON US...

and we are offering **10% OFF**

OUR REGULAR PRICE ON THE CLEANING OF ALL PARTY DRESSES

(Prices Expire December 30th)

Stopp's CLEANERS

537 Main St. East

878-2972

USE OUR CONVENIENCE DEPOT AT MILTON MALL

Bill's Auto Body

HERE WE GROW AGAIN

TO SERVE YOU BETTER & FASTER

NEW 2000 SQ. FT.

ULTRA MODERN PAINT SHOP

Complete Frame & Body Repairs

AUTO GLASS — SANDBLASTING

FEATURING RM QUALITY PRODUCTS

878-2721 ★ 878-3251

COURTESY CARS **FREE ESTIMATES**
(at home or in shop)

Bill's Auto Body

155 NIPISSING ROAD MILTON, ONTARIO

Castle building centre
Castle building consultants, the knowledgeable staff

COPELAND LUMBER

CHAS. B. COPELAND LTD.

700 Main St. E.
MILTON, ONT.
878-8171

JUST EAST OF THE MILTON MALL

STORE HOURS

Mon. to Thurs. 8 a.m. - 6 p.m.
Friday 8 a.m. - 9 p.m.
Saturday 8 a.m. - 6 p.m.

FREE DELIVERY