



THE SHINING ARMOUR was crepe paper at King Arthur's court as mothers helped their young knights prepare for a play. In foreground of Woodland Trails camp is Fay MacKay adjusting son Gus' costume.



FATHERS PITCHED IN to help pitch tents at the over-night camp of Town of Milton Recreation Dept. day camp. The two-week sessions include one camp-out at Woodland Trails camp in Nassagaweya.

## Day-camp lots-a-fun lots-a-work

By Joyce Beaton  
"Well, hi there parents, we're sorry for the delay but the truck with the tents didn't come and the benches for you to sit on didn't arrive and we haven't had time to make the costumes." That was the opening greeting by day camp director Lu-Anne Lynde to some 50 parents at the close of the first two-week session for 44 children between the ages of seven and 12. The camp is at Woodland

Trails in Nassagaweya. In true camping tradition Lu-Anne and her assistants Nancy Noble and Gerald De Koeyer didn't let these major calamities spoil the festivities. They rallied the kids together, costumes or no costumes, and entertained the visiting parents with a rendition (the likes of which are never to be seen again) of King Arthur and the Knights of the Round Table.

Parents helped to assemble the late-to-arrive tents and the kids enjoyed a camp-fire and sing-song before going through the motions of retiring for the night. As they tumbled out of the bus the following afternoon it was apparent none got much sleep. However, it was camp as usual Monday morning with a fresh group of kids raring to go. Activities will include canoeing lessons at Kelso, day trips to Toronto

and swimming each day in the pool on the campsite. Popular camp There are four two-week sessions in all and future

themes will be Indians, The Lord of the Rings, and a nation's week to include all the different backgrounds of the Milton children.

According to recreation worker Claire Armstrong the program is a popular one. This session allows for 46 children and it's all filled up.



KING ARTHUR'S KNIGHTS are a fearsome foursome as they take part in the camp production for the entertainment of their parents. From left are Tim Pollen, Guy Tonelli, Gus MacKay and Fraser Horn.

## Prime Minister to speak to NNA-CCNA convention

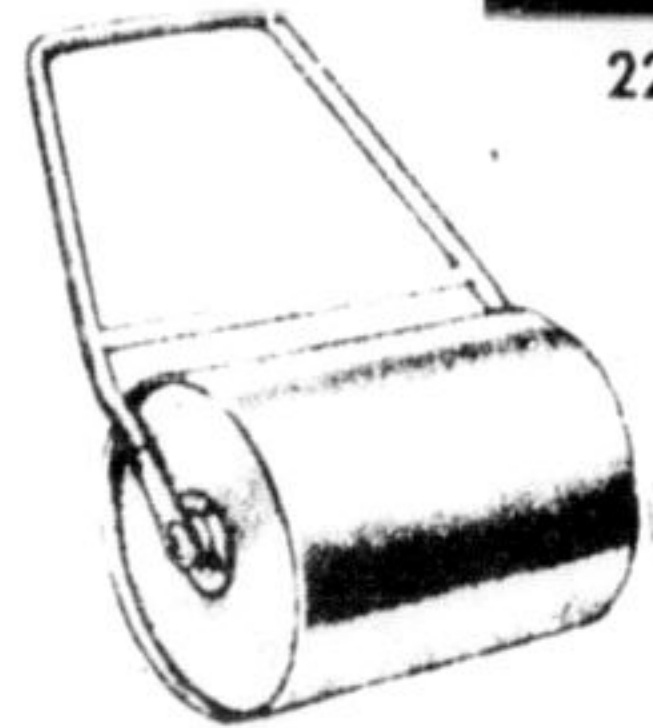
Canada's Prime Minister Pierre Elliott Trudeau, former New York Governor Nelson A. Rockefeller and James Benson, chairman of Ogilvie Benson and Mather Limited, London, England, are among the personalities who will speak at the first joint conference of the National Newspaper Association and the Canadian Community Newspapers Association in Toronto, July 24, 25, 26 and 27. NNA comprises some 6,000 weeklies and about 1,000 dailies throughout the United States. CCNA represents more than 500 weeklies from all provinces in Canada. This newspaper is a member of CCNA. 1,500 delegates from both organizations are expected to take part in the joint convention program which has been built around the major pertinent questions facing publishers, business, industrial and political leaders in today's international climate. The publisher will be representing this publication. James Benson, well known as an expert in international communications and marketing.

## Rent it!

from

**DOMINION HARDWARE**

227 Main St., Milton 878-2353



Ask for items not listed. Hourly and weekly available.

We also cut glass and keys, sharpen saws, knives and scissors.

### DAILY RATES

Fert. Spreader	1.50
Lawn roller	2.00
Roto tiller	12.00
Floor sander and edger	9.00
Vibra sander	3.00
Fridge cart	2.00
Skil saw	4.00
Jig saw	3.50
Drills	3.00
Hedge trimmer	6.00
Sump pump	5.00
Staple guns	1.00
Bolt cutters	3.50
Post hold digger	1.50
Wheelbarrow	1.50
Lawn mower	6.00
Sewer auger	2.00
Post driver	1.50
Rug shampooer	2.50

## FORD RENT-A-CAR SYSTEM



AND **GO** IN STYLE



For Carefree Motoring Pleasure... For a Day! a Week! a Month! a Year! Drop in and Check our Economy Rates.

— SPECIAL WEEK-END RATES —

\* COURIER PICK-UP TRUCK \* F-100 PICK-UP TRUCK

12 FOOT VAN ALSO AVAILABLE

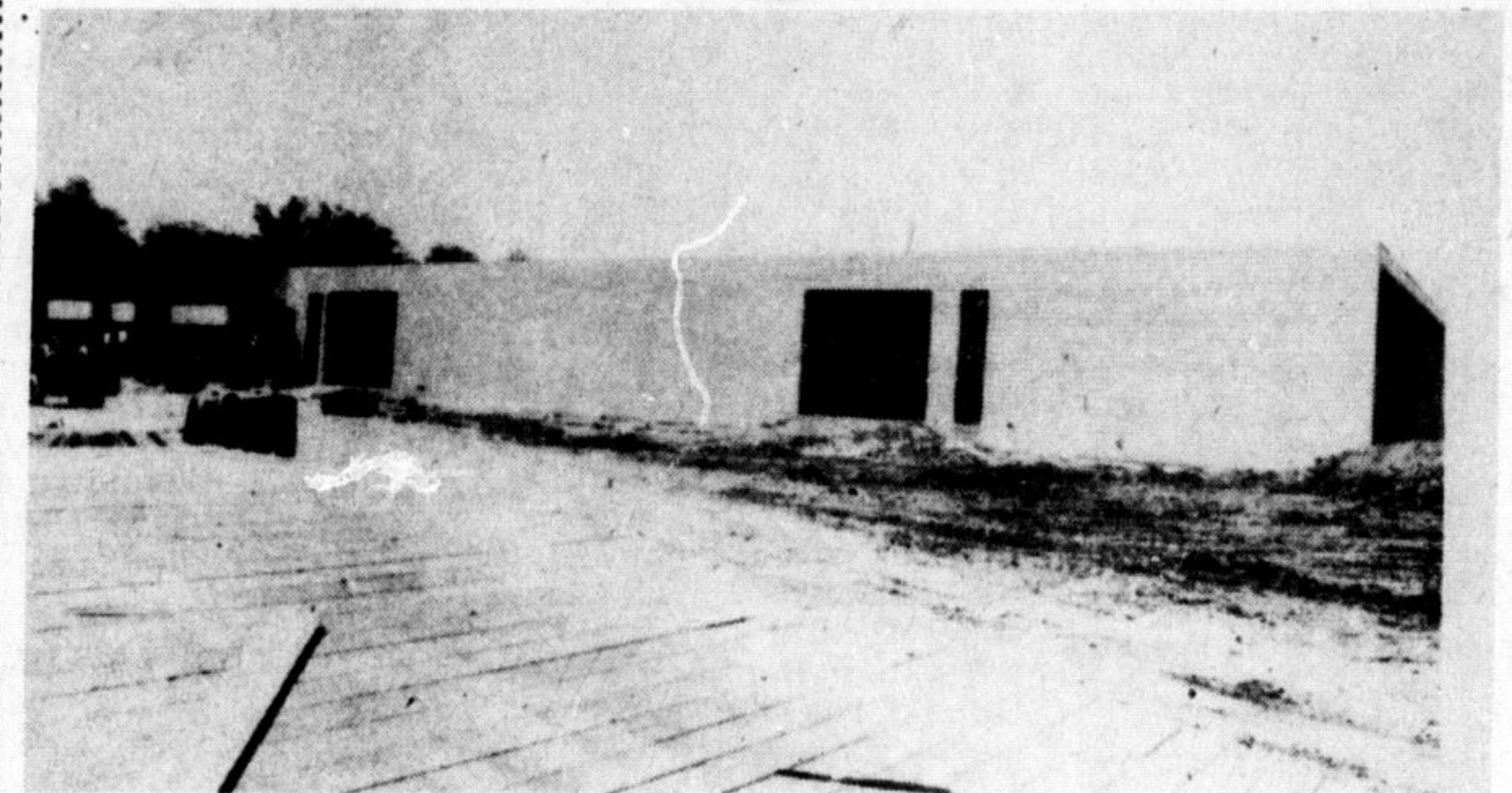
**GALLINGER MOTORS LIMITED**

MILTON PLAZA MILTON 878-2883

Streetsville 826-1434

## ONE HUNDREDTH IN A SERIES

## A Mark of Progress in Milton



A new \$300,000 industrial building is being built by Baycrest Consolidated on Prospect Dr. for Chimo Lumber of Brampton. The plant will be used for the manufacture of structural trusses. It is located just south of 401 and west of the present Beaver Lumber plant. A new road will be built to serve it. The new industry is another mark of progress for Milton.

For a progressive Insurance Programme at competitive rates contact...

**McCuaig INSURANCE LIMITED**

208 Main Street E., Milton 878-2894

## SUMMER CLEAROUT

# SALE

★ WOMEN'S ★ TEENS ★ CHILDRENS ★ GIRLS "DEPARTMENTS"

# 50

## % OFF

### LADIES DEPARTMENT

- Dresses • Sportswear
- Coats • Rainwear
- Blouses • Skirts • Sweaters
- Shorts • Slims • Tops • Etc.

### CHILDREN'S DEPARTMENT

- Jackets • Tops
- Slims • Sets

FANTASTIC SAVINGS - BUY NOW AND SAVE

Free parking at rear of store

# SYER'S

228 Main St. Milton 878-2067

OPEN Thurs. & Fri. till 9 pm

Saturday till 6 pm