

MILTON HIGH SCHOOL NEWS

By Art Coulbeck and Donna Clements

Bowling: On Tuesday, March 20, Nancy Moynes bowled against Mary Wood and Wood won. Lynne Bundy was highest bowler for Wood's team and Nancy led her team. The other teams bowling were Bonita Trimble and Faye Thomas. Thomas won with Rosy Rigo high bowler. Judy Thomas was high bowler for Trimble.

Because the bowling alleys are closing soon, two other games were played this week. Donna Weston played against Catherine Wickens and Weston won with Gloria Purdy being high bowler. Dee Pope was high bowler for Wickens. Trimble played against Leola Davis, and Trimble won. Mrs. Gillespie was high bowler for Trimble. Sandra Turner for Davis.

On Thursday, March 22, Moynes played Helen Lawson and Lawson won with Lenore Chester as high bowler. Millie Goin was high for Moynes. Also, Davis bowled against Wood. Mary's team won and she was high bowler with a score of 209. Milree Wilson was highest bowler for Davis.

There will be two more games played, and in case of a tie, finals will be played two weeks from now.

Noon Hour Dancing: Well, the response from the boys has been higher of late, but a few more could still be used on the floor. I still think the Paul Jones is the best way to get boys out on the floor. It should be used more often instead of these numerous bingos.

Personality of the Week: For several weeks now, I have had a collaborator each week on the news: a girl named Donna Clements. She has written those fine reports on hockey and bowling, as well as pieces of gossip, remarks about teachers, and remarks about the editor of this column (all of which have been thoroughly censored). In this column, I have said some mean things about Donna, her hockey playing, gossiping, etc., so this week I am doing a special feature on her.

To begin: Donna is 16. She is five feet tall, weighs 115 pounds, has blue eyes and brown hair. For a short time last year, her mane was a horrifying shade of red, but it soon was dyed back to its natural shade. Her eyebrows are not natural. She tells me she has learned how to drive. Saturday she stalled a car seven times before it started.

Donna's hobbies are hockey, baseball, volleyball, surfboarding (she says she has her own boat), taking pictures and boys. She is an avid reader of car craft and hot rod magazines. She is well known as a prize winner. She has won at Milton Fair in previous years for her art and handwriting (the handwriting part I don't believe). She was once a well known singer, but she collected her last prize two years ago. She entered in the hospital poster contest but she did not win. "Because Evelyn's poster was better."

She is a very busy girl around Milton High. Her favorite subject is PT. She will be in the tumbling class at Open Night, April 27. Last year she wrote up Grade 9A for the Year Book. This year she has designed three crests: the Student Council, Grade 10A and the girls' hockey. I asked Donna who her favorite teachers are. "Mr. Begin and Mr. Walker," she answered. And why? "Mr. Begin, because he kicks me out for coughing... and talking. And Mr. Walker says I'm impudent." Strange girl, isn't she?

And what is Donna planning for the future? She would like a career in commercial art. She has been studying at home with the Art Instruction School for a year. Next year, Donna plans to devote all her time to the rest of the art course. Other careers she has been thinking about include hangman (she wants to hang boys), coach of a football team and mechanic. She says she is going to be married in 1960.

Warning: Don't go too close to Donna at any time. She'll try to sell you a Nash.
See you next week.

LOWVILLE

Jack, Jill Club Tour Ford Plant

Last week the Jack and Jill club of the United church enjoyed a trip through the Ford plant at Oakville, which proved interesting as well as educational.

Last Meeting
The last meeting of the Limestone farm forum was to have been held at the home of Mr. and Mrs. Leonard Coulson, but due to the fire on Sunday afternoon which destroyed the Coulson barn, the farm forum was held at Featherstone Colling's with 42 members present. Floyd Griesbach, national farm forum secretary, spoke to the group and Hugh Morrison of Jamaica answered many questions about that country.

The Lowville male quartette rendered two musical numbers. The wind-up banquet is to be held in Fairview school during Easter week.

Mr. Waite is continuing his series of sermons on the Cross and last Sunday he spoke about the Christianity of the Cross.

The Lowville and Zimmerman Young People met at the home of Doreen Sinclair. Ernest Home-wood, assistant editor of the United Church Observer, was present and spoke to the Young People.

J. Thompson, Hornby Takes Honors at College in New York

Joseph Thompson, son of Mr. and Mrs. Wilmer J. Thompson of Hornby, was one of the members of the Clarkson College of Technology hockey team which just completed an undefeated season with 21 intercollegiate wins and two exhibition victories. A senior, Joe will receive a bachelor of civil engineering degree in June from this college in Potsdam, New York.

While commending the seniors on his squad, Coach Bill Harrison said recently, "Joe Thompson is a great team man and an A student. He has been a major factor in our hockey successes over the past four years. Able to play either wing or center, he has been a real fireman."

Indicative of his scholastic ability are his membership in Chi Epsilon, civil engineering honorary, and Tau Beta Pi, engineering honor society. He is also a member of Phalanx, the college's highest recognition society, and was president of the Lewis House (student union) Organization this year.

Lowville Minister Elected President

Clifford Waite was unanimously elected president of the Emmanuel College Students' Society of Victoria University, Toronto, for the next school year.

Mr. Waite, pastor of Lowville and Zimmerman churches, is at present in his second year of Theology and is proceeding to a B.D. degree and ordination in the United Church of Canada. Educated at McMaster University, Hamilton, and Acadia University in Nova Scotia, Mr. Waite has had consid-

erable experience in adult education and was formerly secretary-manager of the Ontario Farm Radio Forum.

Now living in the parsonage at Lowville, the Waites have two children.

Ladies' Guild Meets

The Ladies' Guild of St. Stephen's church, Hornby, held their meeting at the home of Mrs. Harrop last week. The coming tea was discussed and more materials were distributed for the annual bazaar. The roll call for the next meeting was arranged.

Banking By Mail Saves Farmers' Time

Nowadays, farmers are often too busy to spare time for trips into town. That's why many find the Bank of Montreal's "banking-by-mail" service particularly useful. They save time and trouble by having the postman do their banking for them.

Banking by mail is quick, too. Deposits and banking instructions received by the B of M through the post claim immediate attention. Many a farmer makes a practice

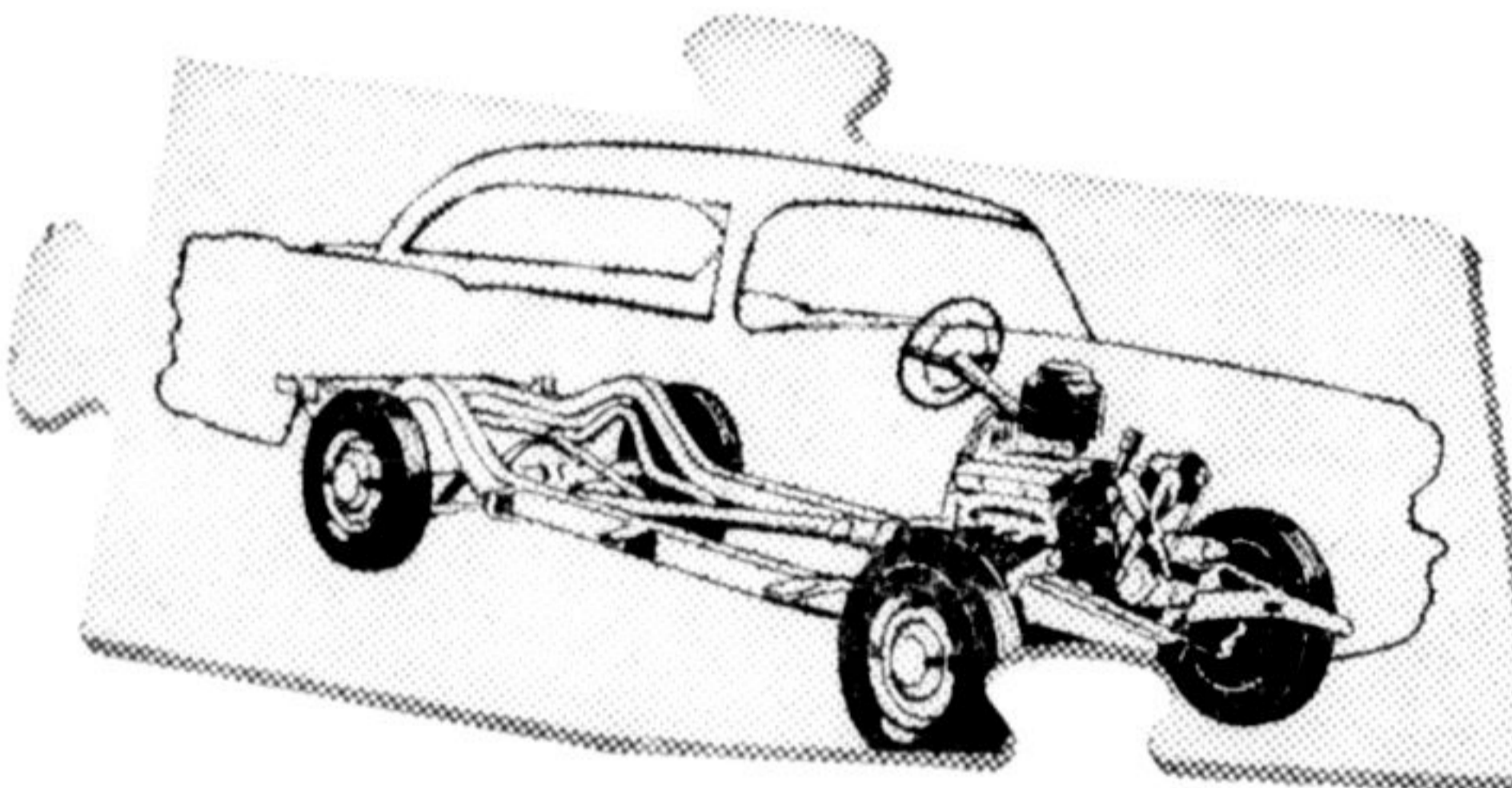
of sending in his poultry or livestock cheques for deposit in his savings account, along with his passbook, which the B of M people mark up and return by the following post.

If you find it inconvenient to get into town during banking hours, write or call Bob Bell, accountant of Milton's B of M, telephone number TR 8-9911. He will gladly provide you with full details about banking by mail. Otherwise, you might drop into the B of M next time you're in town and pick up a copy of the bank's leaflet about this useful, time-saving service.



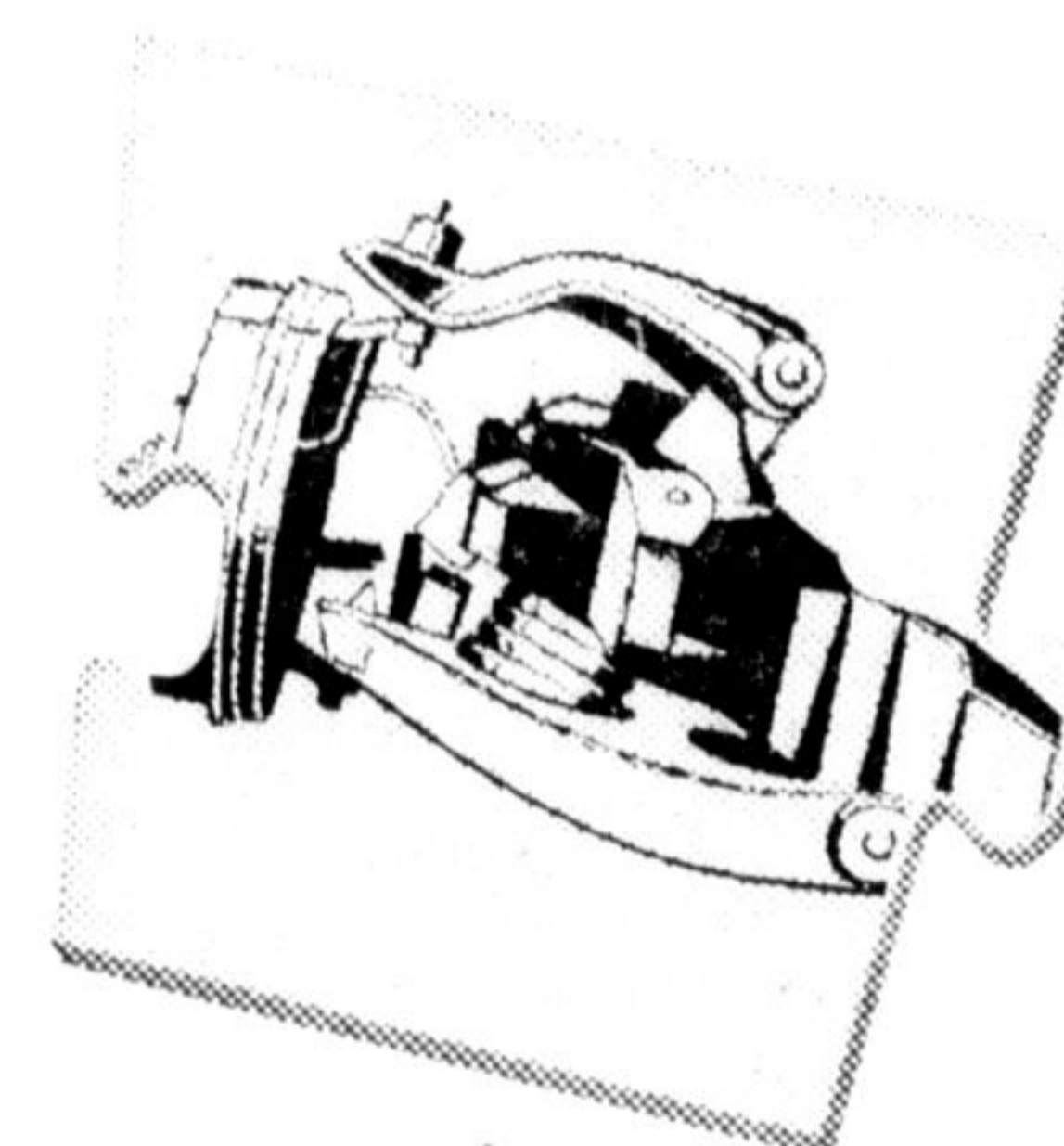
A GENERAL MOTORS VALUE

HERE'S WHERE YOU BELONG!



NEW SMOOTHNESS AND COMFORT—WITH 4-WAY BALANCED RIDE

Spherical joints and deep-coil springs in front, combined with Pontiac's new wide-stance rear suspension bring you a new, smoother ride on the roughest roads.

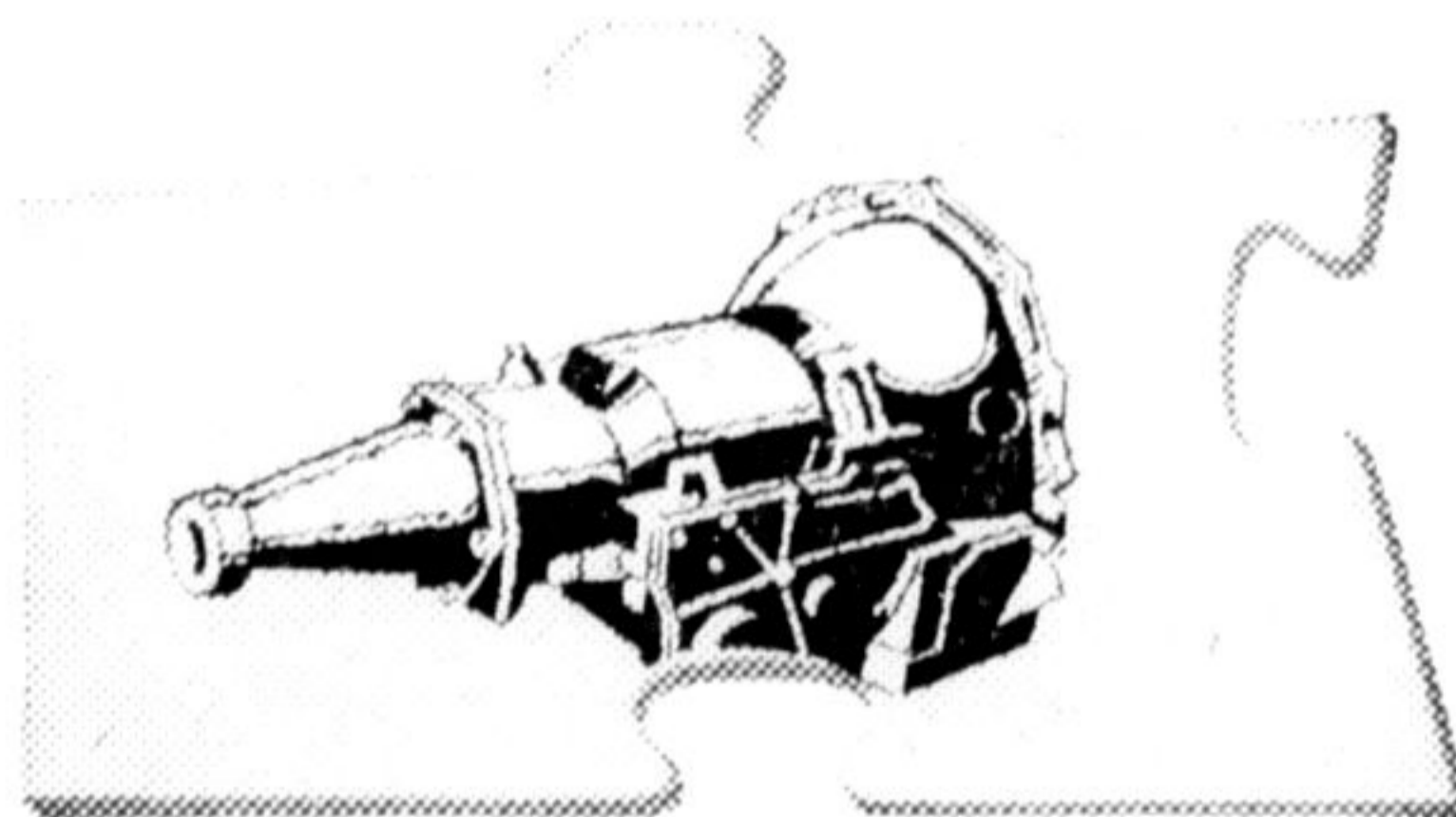


CUSHIONED FRONT SUSPENSION AND BRAKING DIVE CONTROL
Braking Dive Control takes the dips and nose-dives out of sudden stops. And Pontiac's Cushioned Front Suspension means greater stability on rough roads, too.



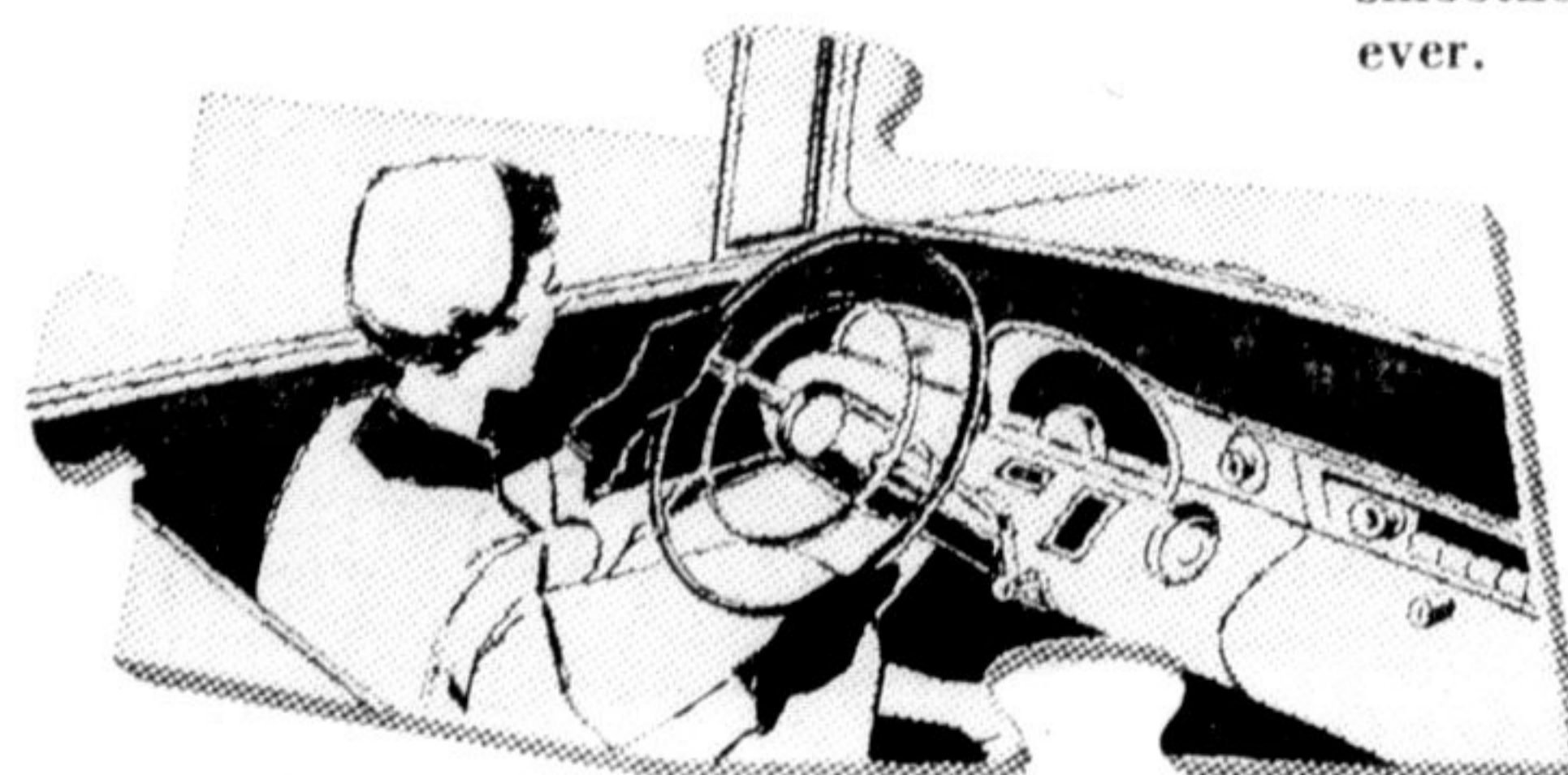
PICK YOUR POWER—4 V8'S AND A HUSKY 6

From the 148 h.p. Strato-Six to this thrilling 227 h.p. Strato-Streak V8, Pontiac offers five great engines for new, safer power.



5 TRANSMISSIONS—13 POWER TEAMS—PONTIAC'S BIG CHOICE FOR '56

Improved Synchro-Mesh or Multi-Range Overdrive are tops in manual transmissions. Powerglide, Dual-Range Hydra-Matic or new Strato-Flight Hydra-Matic give you the smoothest, liveliest automatic "go" ever.



TURNS ON A BALL-BEARING—WITH NEW BALL-RACE STEERING

Pontiac's ball-race steering gear brings new finger-tip ease to ordinary steering—solves the parking problem, too. Or choose optional Power Steering at slight extra cost.

You belong in a Pontiac—whichever one you choose. From the economical Pathfinder right up to Pontiac's superb Star Chief, Pontiac for '56 gives you more of everything—more power, more sparkling performance, more color and style. And you get more choice, too, with 31 models in 6 great series. You'll find your new car puzzle solves itself the moment you see your Pontiac dealer!

Put yourself in the PONTIAC picture—today!

MILTON MOTOR SALES

PHONE TR. 8-2355

MILTON, ONTARIO