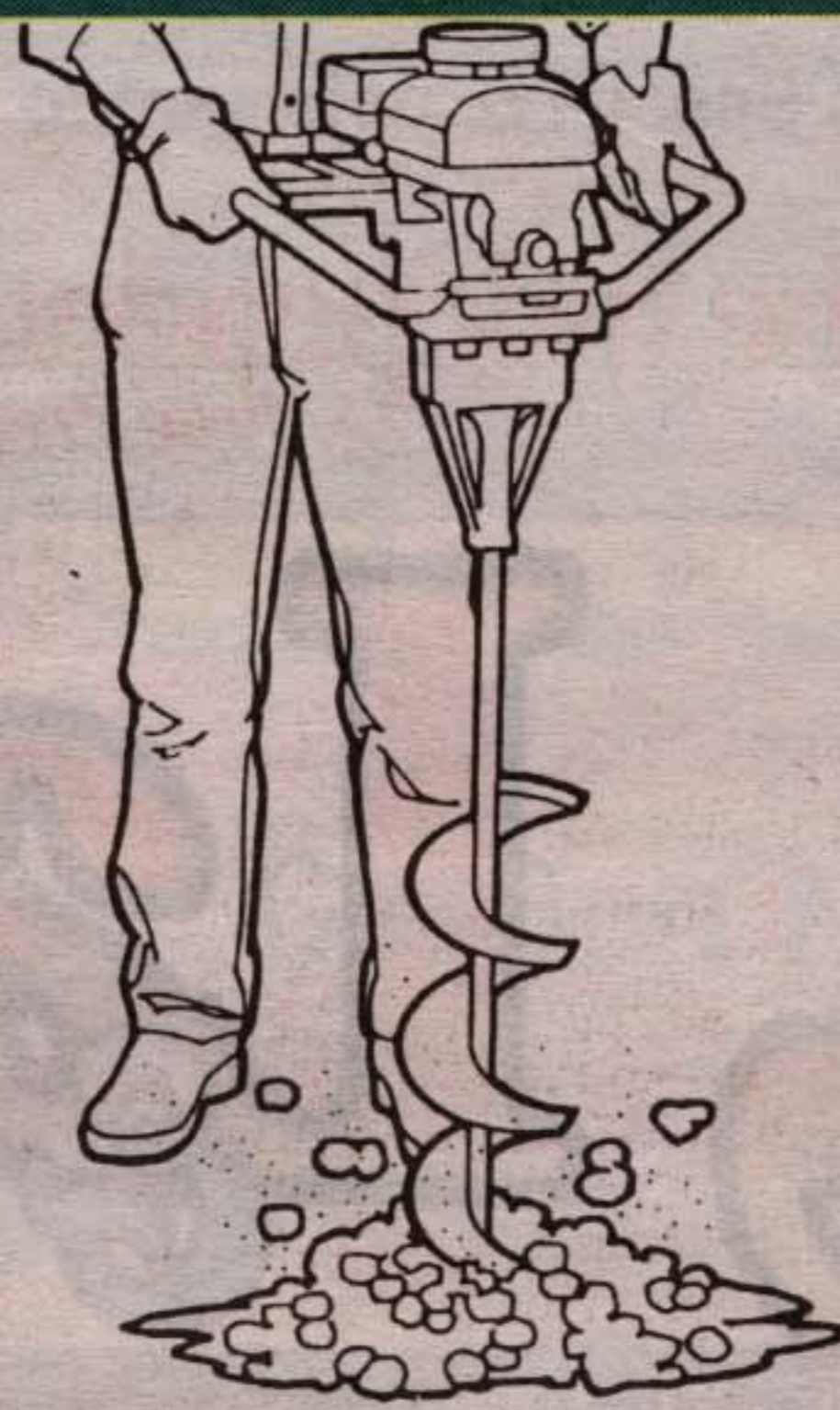




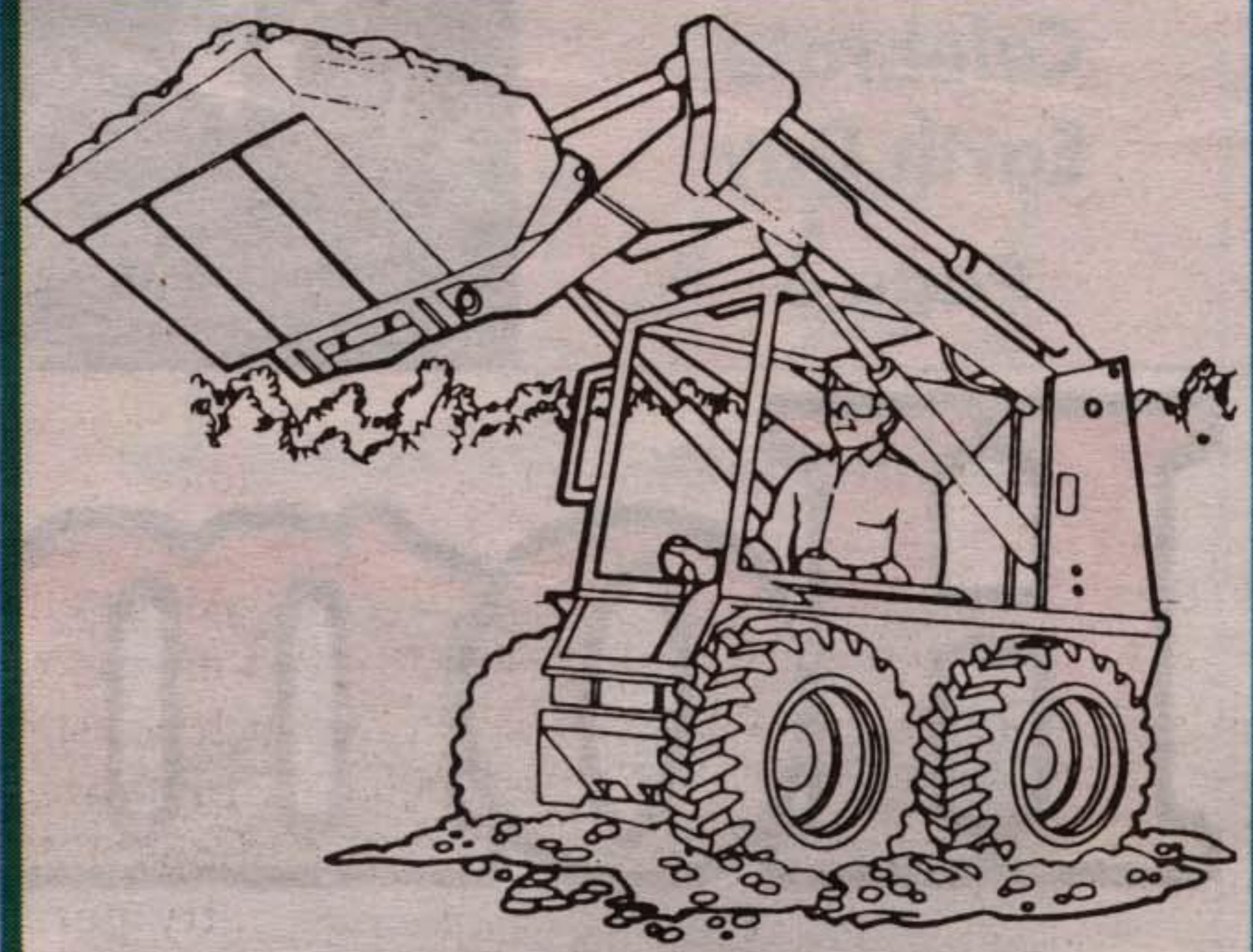
RENT a chain saw and quickly remove overgrown trees and brush.

As Low as **\$33.75**/4 hrs.



RENT an earth auger and save, as you drill holes for pillars and posts.

As Low as **\$24.00**/4 hrs.



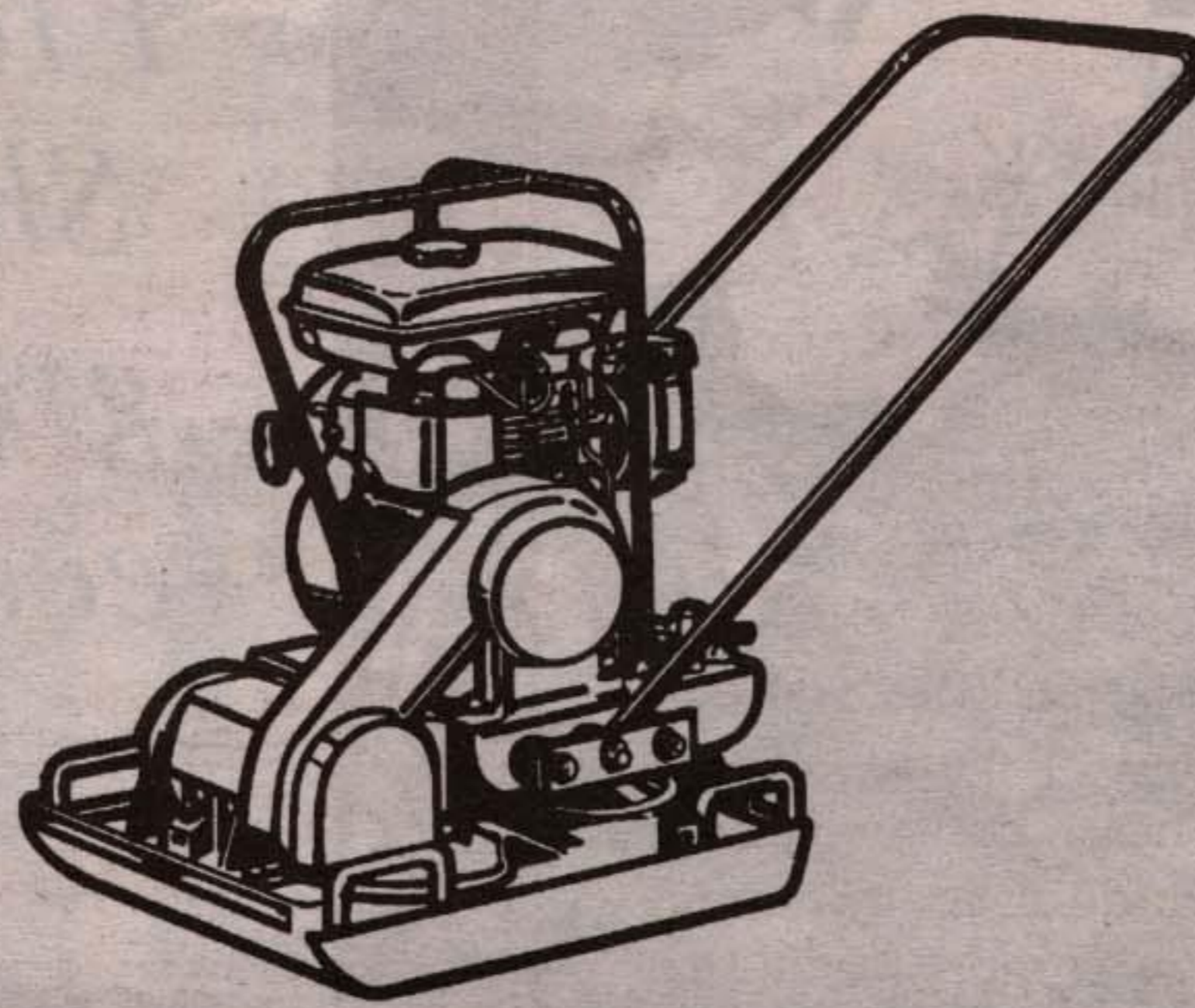
RENT a skid-steer loader and see how much more dirt, rock, and other material you can move!

Just **\$160.00**/day



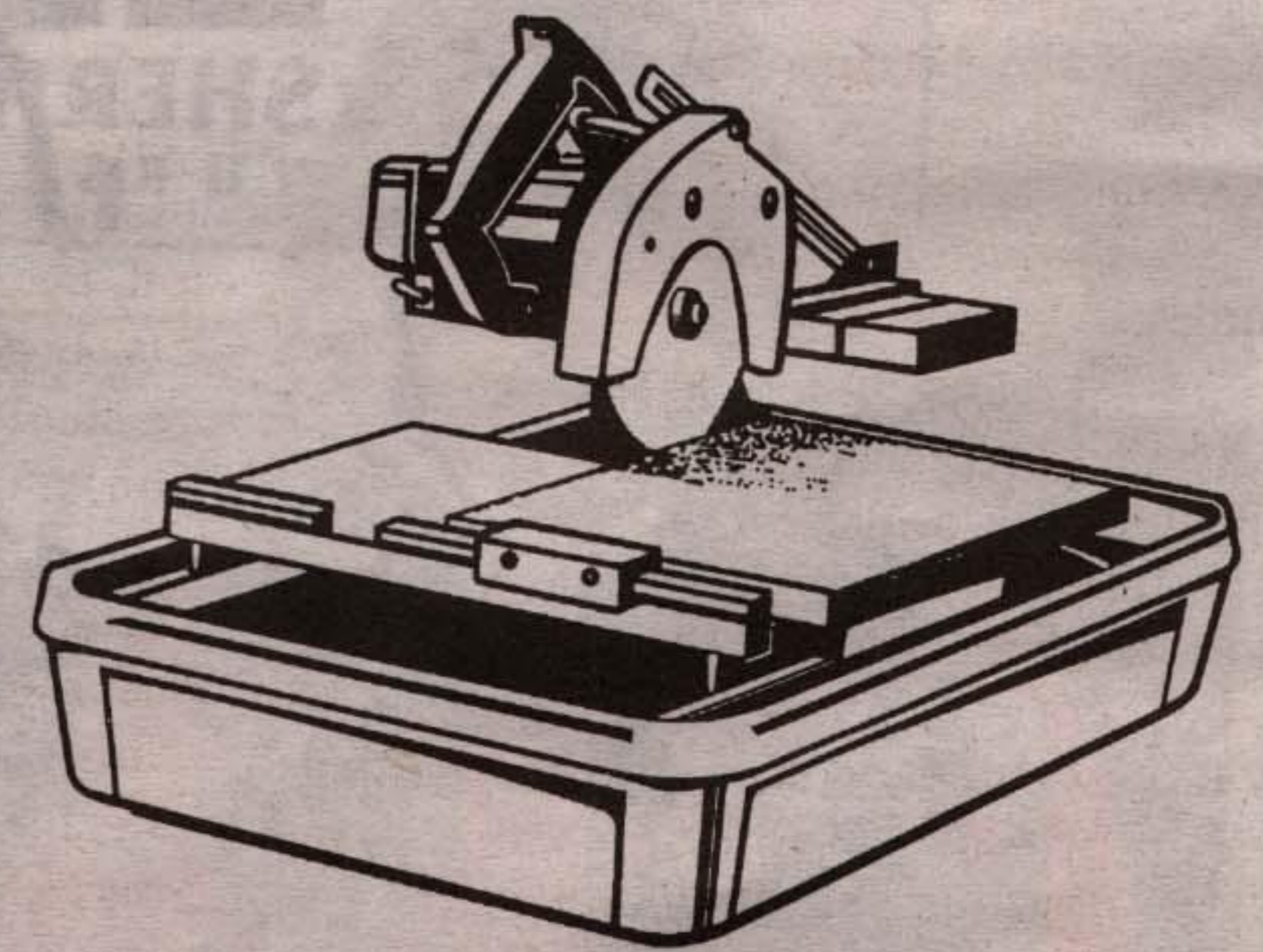
RENT a rototiller and break new ground as you save time, money and energy,

As Low as **\$37.50**/2 hrs.



RENT a plate tamper for your stone and sand compaction.

Just **\$40.00**/4 hrs.



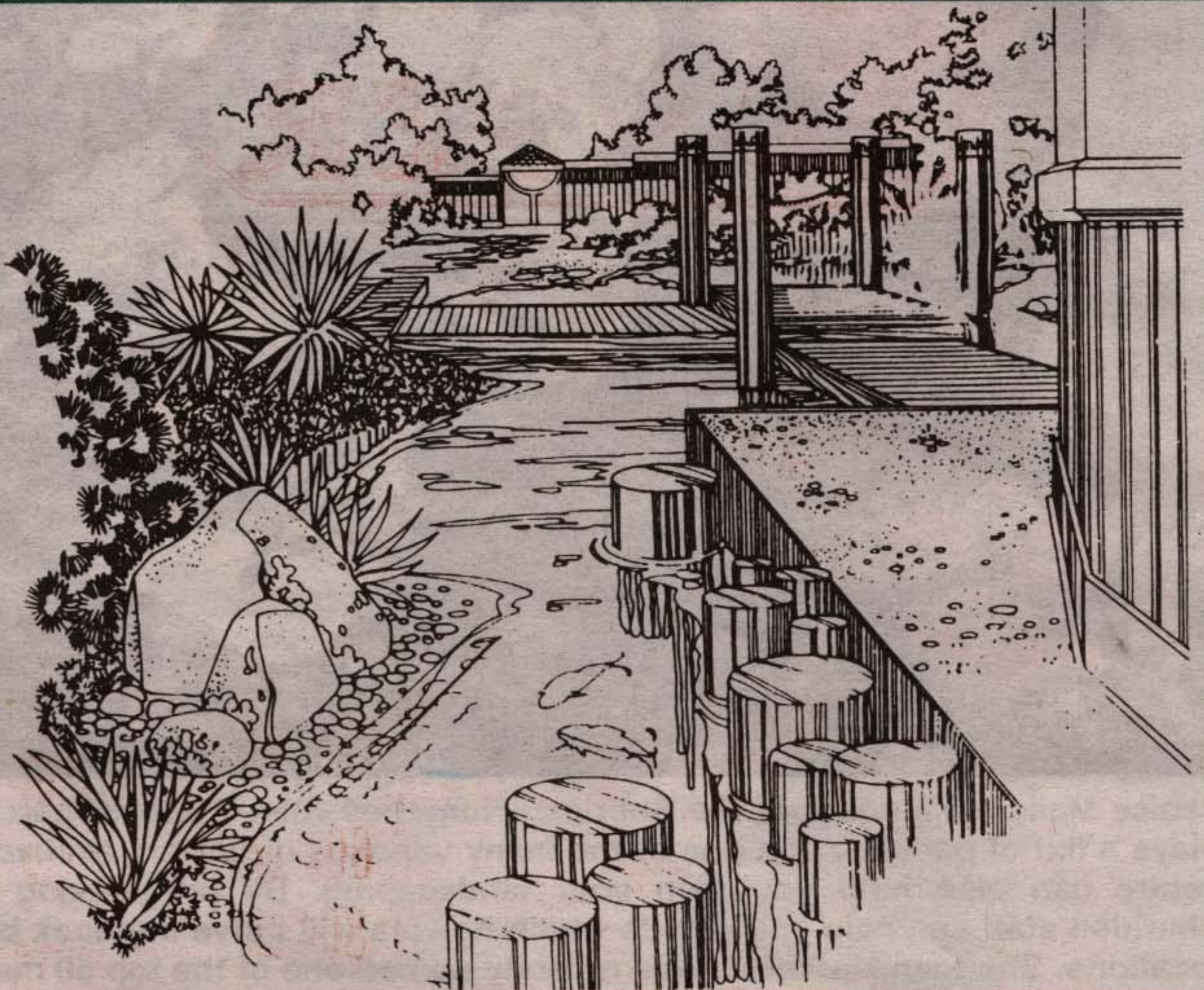
RENT a interlock saw to make your interlocking project look professional.

Just **\$55.00**/day

Landscaping projects? Rent the tools and save.

Whether you're terracing a hillside or creating a garden retreat, do-it-yourself landscaping doesn't save you money when your equipment costs outweigh your savings. Why not rent the tools and equipment you need? We have it all - well-maintained and ready to go. Plus tips that assure professional results.

So, go ahead and tackle that landscaping project you've been dreaming about. But for first class results, come see us first!



ADAMS GREAT GIVE-AWAY



**ADAMS
GEORGETOWN
RENT-ALL**

Rentals • Sales • Service
384 Guelph St., 877-0157

Draw to
take place
April 30!



Adams Rental & Stihl Limited
are pleased to present this month's prize...

**A NEW STIHL
FE55 ELECTRIC
STRING TRIMMER!**



See store
for details