



ASK DICK KLEINER

What about James Dean?

By Dick Kleiner

Q. I'm 15, and a devoted fan of James Dean. I know he was in "East of Eden," "Rebel Without a Cause," "Giant" and "See the Jaguar." Are there other films in which I might find this heartthrob? — M.G., Abingdon, Va.

A. James Dean was only in seven films in his tragically brief career, which ended in 1955: "Has Anybody Seen My Gal?," "Sailor Beware," "Fixed Bayonets," "Trouble Along the Way" and his three biggies — "Giant," "East of Eden" and "Rebel Without a Cause." (I see no record of a film called "See the Jaguar," by the

way.) Just 24, Dean died in an auto accident.

Q. Can you please tell me how many husbands Shirley Temple has had, and in what order of succession? — L.C., Purdy, Mo.

A. Only two, poor thing. John Agar was the first, and they were married from 1945-49. Then she married Charles Black in 1950.



James Dean



Patrick Swayze

Q. What can you tell us about the singer/actor John Boles? My mother, who is 87, says he was the number one idol in the '30s. — E.W., Bel Air, Md.

A. I can tell you that he is no longer with us. John Boles died in 1969.

Q. Is there any chance that ABC will cash in on Patrick Swayze's recent success in "Dirty Dancing" and rerun the mini-series "North and South," in which he starred? — M.S., Idaho Falls, Idaho.

A. It would seem like an intelligent thing to do. ABC has plans to re-run the miniseries starting Tuesday, Oct. 18 through Sunday, Oct. 23.

Q. Some of my favorite TV shows of all times were the roasts from Las Vegas, with Dean Martin as the emcee and many great comedians as

roasters. Is there any talk of re-running these great shows and, if not, please venture a guess as to why not? — G.W.A., Phoenix, Ariz.

A. No, there is no chance of them being re-run, at least not according to network thinking at the moment. The reason is that many of the jokes were topical, referring to people and events of the past, and the shows would seem dated if aired today.

Q. My friend Kevin tells me that Dustin Hoffman is dead. I say no way. If not dead, how old is he? — K.A.D., Nacogdoches, Texas.

A. Tell Kevin to peddle his silly stories somewhere else. Dustin Hoffman is alive and well. He is 51.

Q. Who played the last blonde on "Three's Company"? — R.C.S., Clyde, Texas.

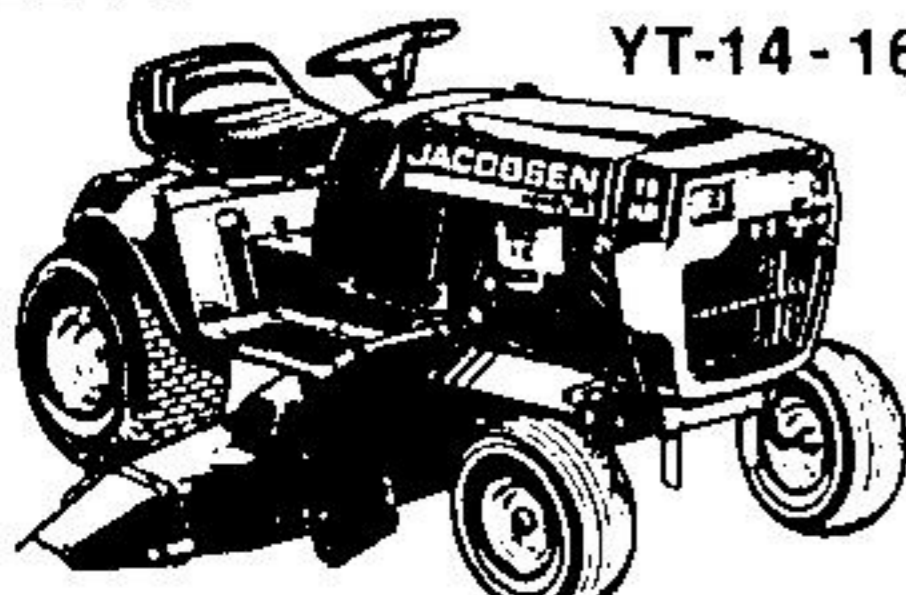
A. That was the beautiful Priscilla Barnes, as Terri Alden.



JACOBSEN
HOMELITE

All Lawn Tractors and Walk Behind Mowers at Dealer Cost!

ALL IN-STOCK ITEMS MUST GO!

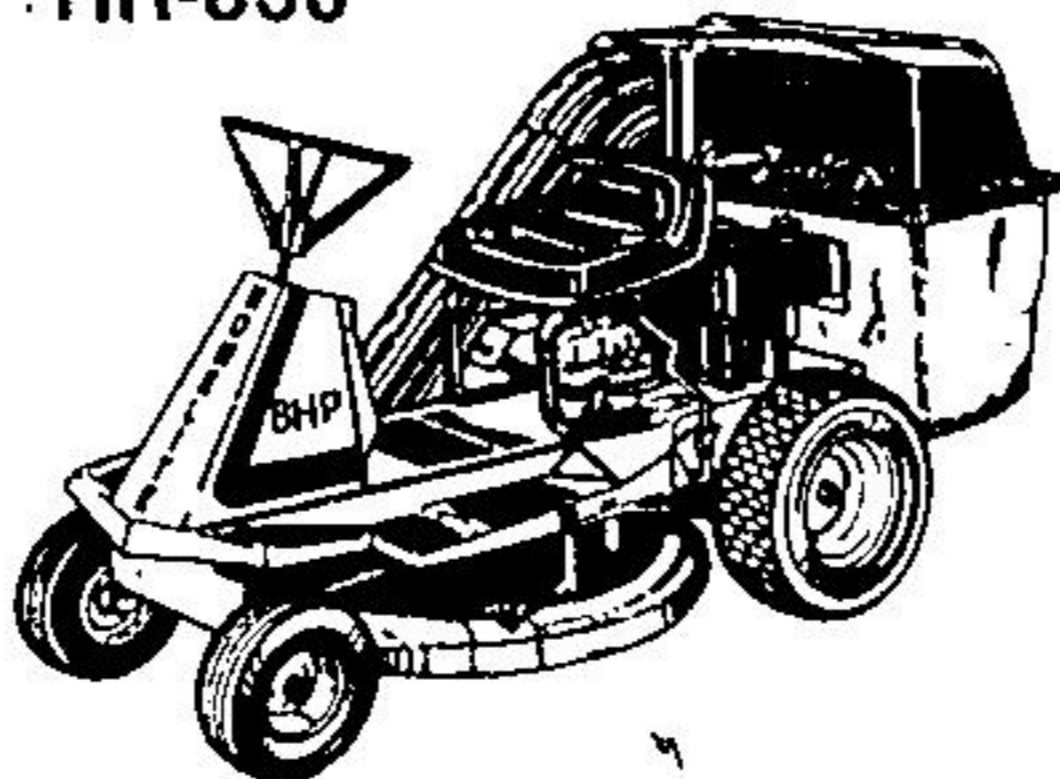


YT-14-16-18

- Briggs & Stratton 18-hp twin cylinder synchro-balanced Industrial/commercial engine.
- 35 or 42-inch mowing deck.
- Headlights.
- Comfortable soft vinyl covered foam rubber seat.
- Large 4.5 gallon fuel tank.
- Electric PTO clutch.
- Tilt up seat.
- Safety-Interlock seat switch.
- Key start with on-board alternator.
- Side mounted fuel filler—no funnel required.
- Heavy duty front PTO drives mower.
- Hydrostatic drive transaxle provides for changing speeds without shifting.
- Speed and forward/reverse controlled by foot pedal.
- Cruise control with resume feature.
- Combination clutch/brake pedal.
- Easy open hood to allow access to engine for service.
- Pivoting front axle.
- Wide tires help prevent tracking up lawn.
- Rack and pinion steering.
- Optional 7 bushel twin bag kit.

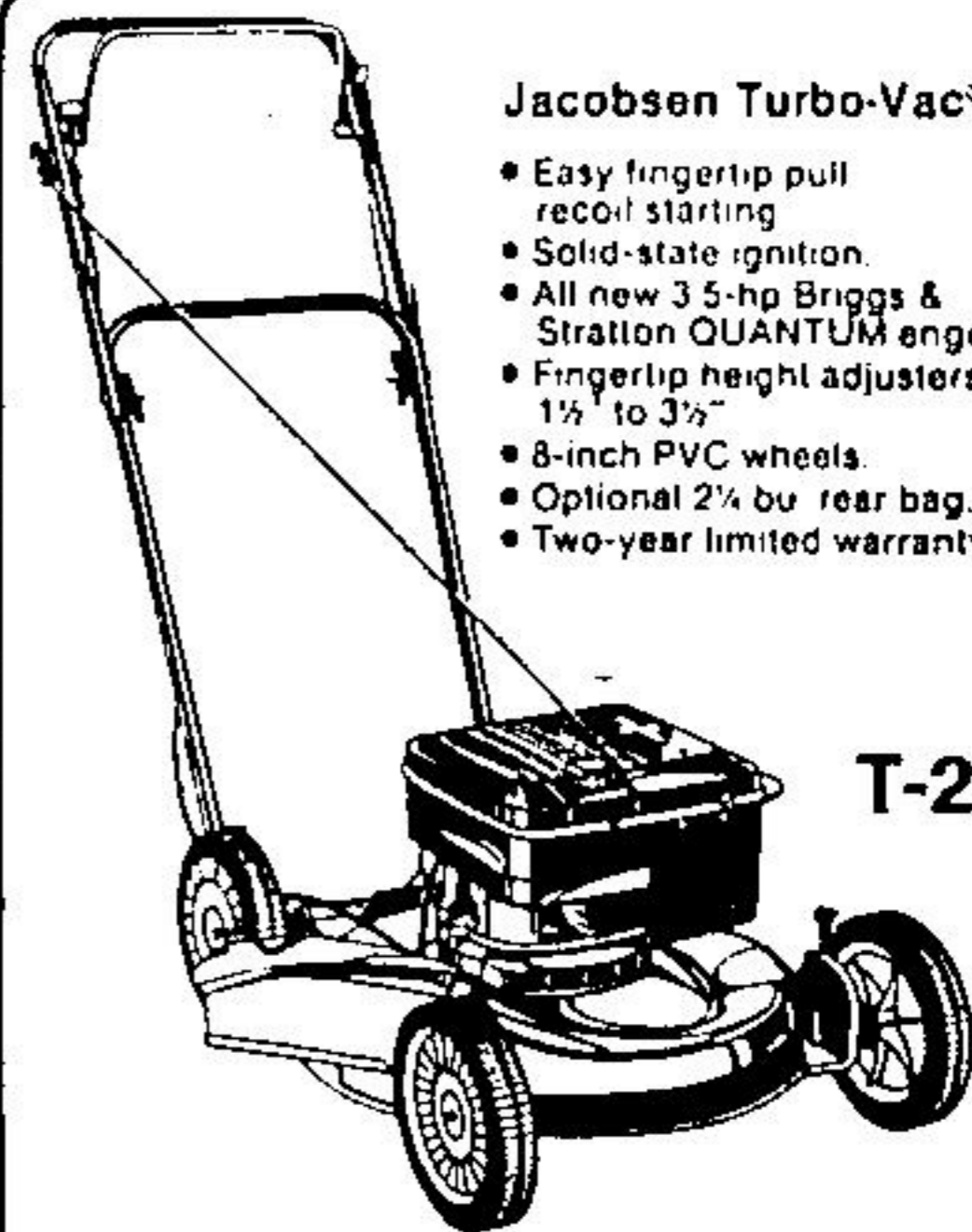
14 - \$3821⁹⁹ 16 - \$4055⁹⁹
18 - \$4172⁹⁹

HR-830



- 8-hp B & S engine.
- 7-bushel twin tapered bags — Optional
- Powerful vacuuming system.
- Cutting width 30.5 in.
- 5-speed transmission.
- 13-gauge steel deck.

\$1325⁹⁹

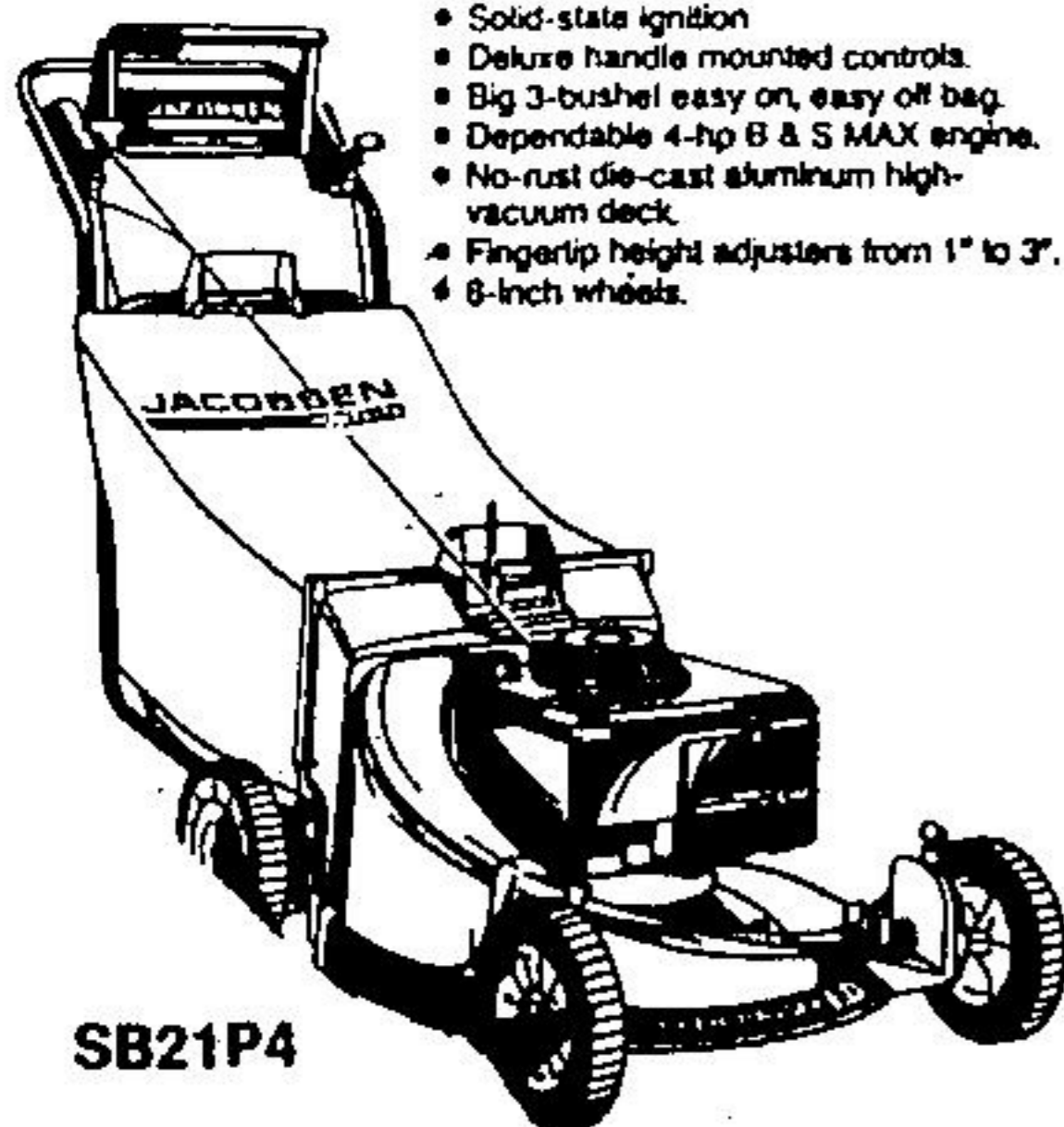


Jacobsen Turbo-Vac®

- Easy fingertip pull recoil starting
- Solid-state ignition.
- All new 3.5-hp Briggs & Stratton QUANTUM engine.
- Fingertip height adjusters from 1 1/2" to 3 1/2"
- 8-inch PVC wheels.
- Optional 2 1/4 bu. rear bag.
- Two-year limited warranty.

T-20

\$279⁹⁹

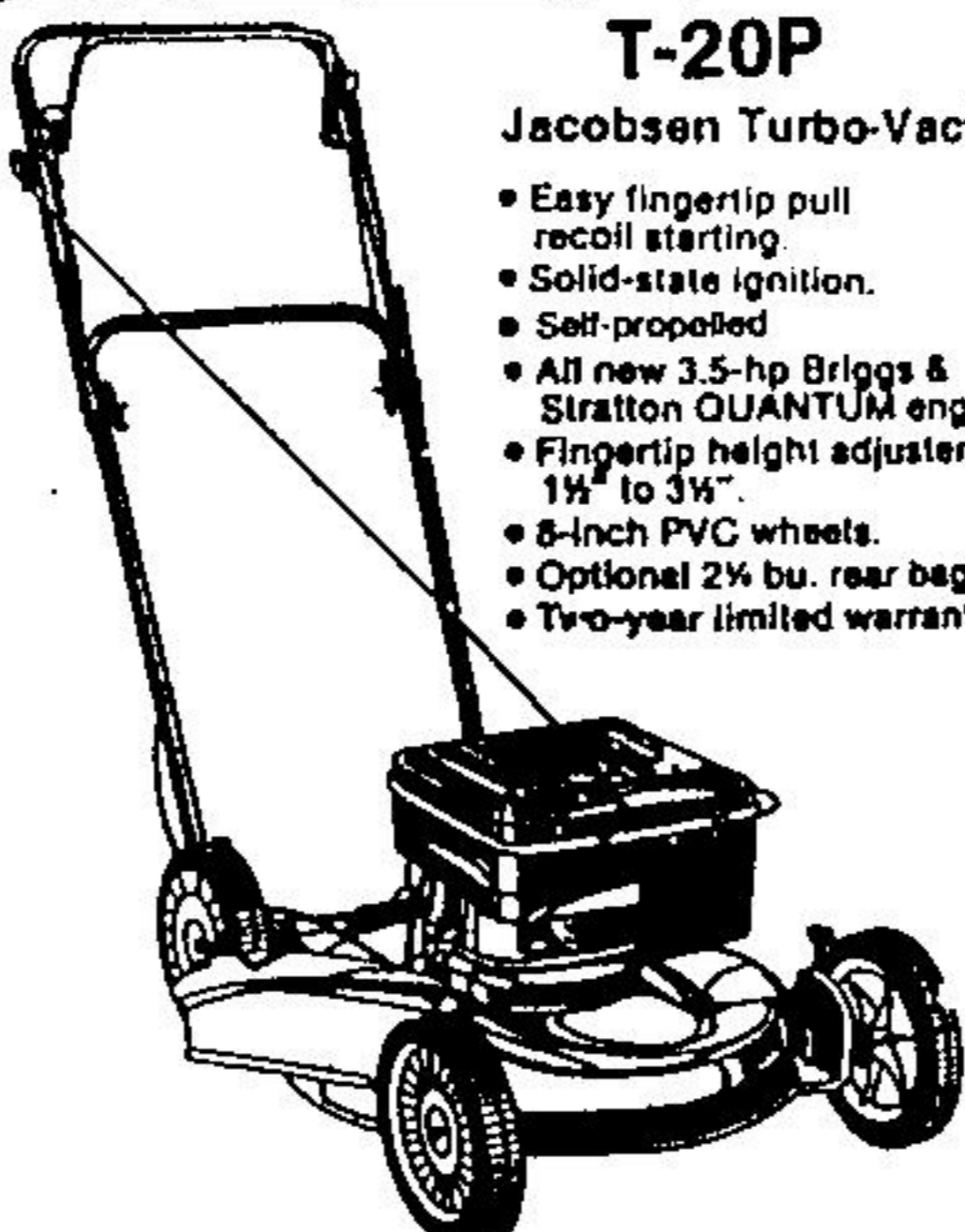


Jacobsen Super Bagger®

- Solid-state ignition
- Deluxe handle mounted controls.
- Big 3-bushel easy on, easy off bag.
- Dependable 4-hp B & S MAX engine.
- No-rust die-cast aluminum high-vacuum deck.
- Fingertip height adjusters from 1" to 3".
- 8-inch wheels.

SB21P4

\$503⁹⁹



T-20P

Jacobsen Turbo-Vac®

- Easy fingertip pull recoil starting.
- Solid-state ignition.
- Self-propelled
- All new 3.5-hp Briggs & Stratton QUANTUM engine.
- Fingertip height adjusters from 1 1/2" to 3 1/2"
- 8-inch PVC wheels.
- Optional 2 1/4 bu. rear bag.
- Two-year limited warranty.

\$371⁹⁹

Shop Early For
Best Selection!



55 Sinclair Ave.
Unit 9-10
GEORGETOWN
(416) 877-9473

JACOBSEN
HOMELITE