

## It's the perfect time to build wood planters for summer beauty

Now is the time to "plant ahead" for a colorful show in your backyard this summer. And, there's no lovelier way to display your flowers or ornamental trees and shrubs than in a handsome wood planter.

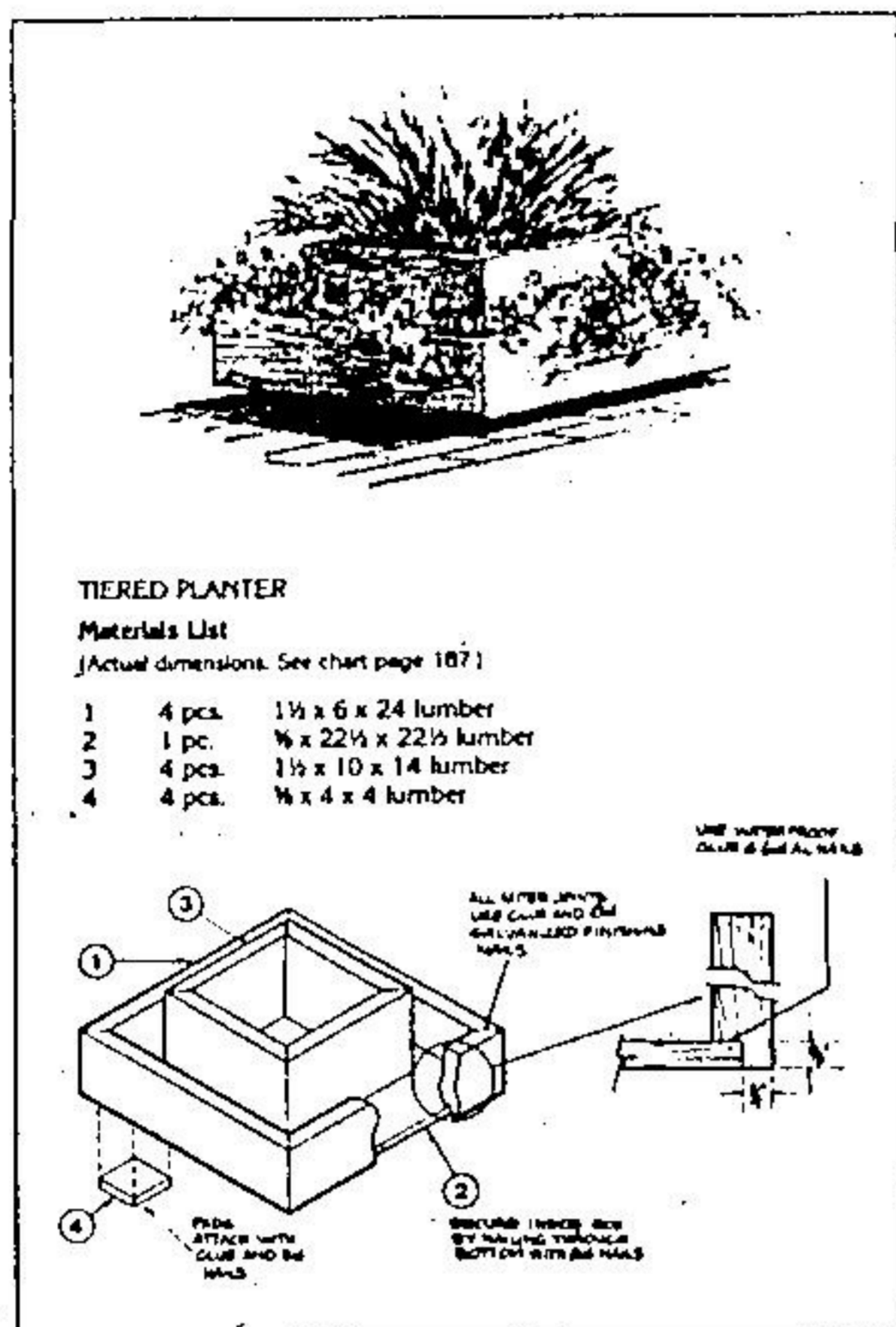
There are probably as many shapes and sizes of planters as there are species of flowers. Building the special outdoor planter that's perfect for your needs is easy and fun. The plans shown here can help you get started.

There are also some building basics to keep in mind. Planters should be sturdy enough to hold up outdoors, and tightly constructed so that excess moisture will seep through drainage holes and not joints. It is most important to protect the wood from soil contact hazards.

Pressure treated lumber resists insects and decay with minimum maintenance. It is also economical, easy to work with, and can be stained, painted or left to weather naturally.

If using redwood, cedar or another species of wood, it's a good idea to protect the planter by lining the inside with a sheet of plastic or painting soil contact areas with asphaltum.

You can improve the durability of your planter by using a waterproof glue in the joints, along with galvanized nails. For the best job, make all cuts carefully.



Use the right glue, reinforce with proper fasteners, then seal inside joint lines with a caulking compound.

Good drainage is important, too. Excess moisture can damage your plants. To provide drainage, drill 1/4" or 1/2" holes through the bottom of the planter, spaced 5" to 6" apart.

For efficient drainage

Cover the holes with some pieces of aluminum or copper insect screen so soil won't fall through the bottom. If a plastic liner is used, drill the holes before placing the liner. Then slit the plastic over each hole before placing the screen.

Place a layer of small stones in the bottom of the planter before filling with soil. This provides even better drainage. And don't completely fill the planter with soil.

Allow about 1" of space from the top of the soil to the top of the planter. This will make watering easier and prevent soil from spilling out.

Now you're ready to watch your garden grow!

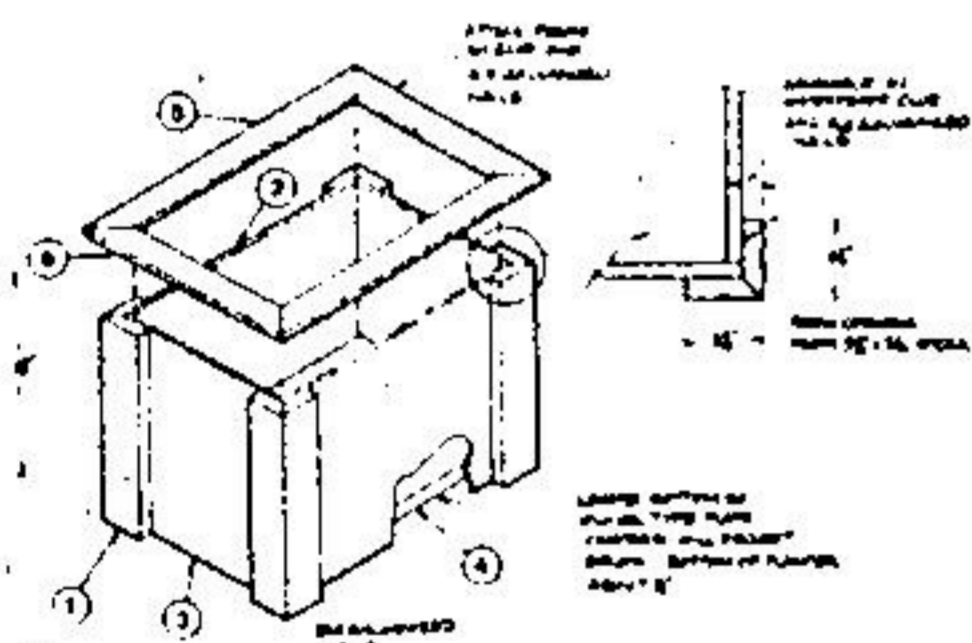


### LARGE PLANTER

Materials List  
(Actual dimensions. See chart page 187.)

- |   |        |  |
|---|--------|--|
| 1 | 4 pcs. | 3 1/2 x 3 1/2 x 18 lumber  |
| 2 | 2 pcs. | 1/2 x 18 x 24 exterior plywood                                       |
| 3 | 2 pcs. | 1/2 x 16 x 18 exterior plywood                                       |
| 4 | 1 pc.  | 1 1/2 x 18 x 22 1/2 lumber<br>(make from two pieces of 2 x 10 stock) |
| 5 | 2 pcs. | 1/2 x 2 1/2 x 27 1/2 lumber  |
| 6 | 2 pcs. | 1/2 x 2 1/2 x 27 1/2 lumber  |

Notes: cut parts #5 and 6 longer than necessary, trim to size.  
1/2" material = exterior plywood siding.  
Attach four sublet type plate casters with 1 1/4" round head wood screws.



Thinking of Spring Cleaning?

# THE CLEANING MAN

MOBILE CARPET & UPHOLSTERY  
CLEANING SERVICE

"Featuring The Steam Cleaning Method"

**FREE** — Estimates  
— Pick-Ups &  
— Delivery



Call Bob Marchand  
**877-8504**

6 King St. W. Georgetown

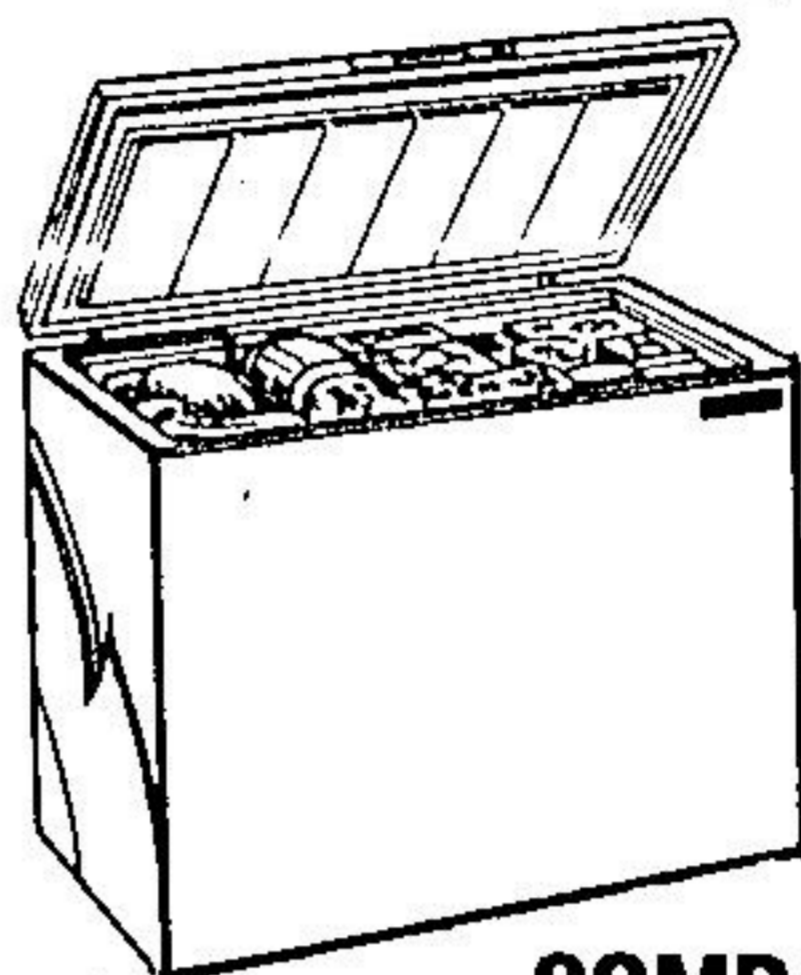
# FREEZERS

by **Wood's**

GUELPH

**2 1/2" FOAM INSULATION**

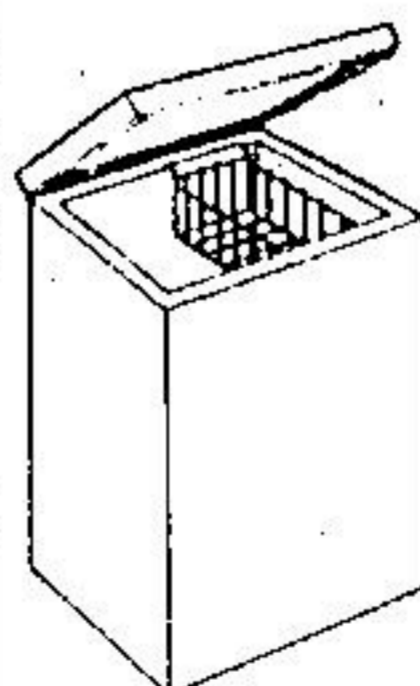
**MOST ENERGY EFFICIENT FREEZERS MADE TODAY**



**COMPARE!**

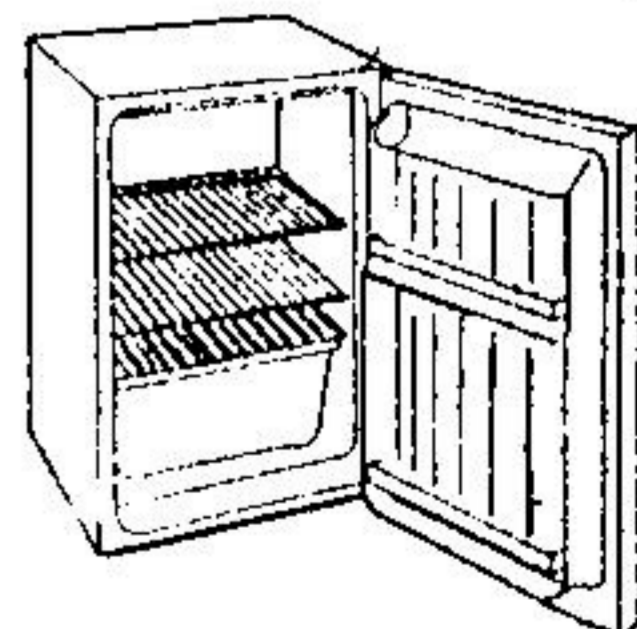
| GOODLET'S PRICE | CHESTS      | CATALOGUE PRICE |
|-----------------|-------------|-----------------|
| \$339           | 7cu. ft.    | \$365           |
| \$389           | 12.3cu. ft. | \$409           |
| \$409           | 15cu. ft.   | \$439           |
| \$439           | 18cu. ft.   | \$469           |
| \$469           | 22.1cu. ft. | \$504           |
|                 | UPRIGHTS    |                 |
| \$469           | 10.3cu. ft. | \$489           |
| \$509           | 12.5cu. ft. | \$549           |
| \$559           | 16.3cu. ft. | \$595           |

**ALL NEW APARTMENT SIZE MINI CHEST AND UPRIGHT FREEZERS**



FROM

**\$319**



**SAVE NOW**

**GOODLET'S**

DOWNTOWN  
GEORGETOWN

SINCE 1937  
877-2551