



**BOY FOR SALE**

Maureen McGowan stars as Oliver in the musical of the same name being presented by GDHS students this weekend in the school cafeteria. Here Ken Marchant in the role of Mr. Bumble points up her qualifications to be a professional casket follower as he tries to sell Oliver to an undertaker. (Herald photo)

# Police chase policy revised after Burlington youth killed

High-speed police pursuits sometimes end in tragedy, and police departments are as aware as anyone of the need for guidelines on how such pursuits should be carried out. Halton Regional Police adopted a set of guidelines for high-speed pursuits some years ago after an inquest into a crash in Acton in which police were involved, but these were found to be insufficient. Deputy-Chief James Harding, acting chief of the Halton force, drew up a new set of guidelines which were distributed to the officers in August. Two Halton police officers were recently involved in a high-speed chase in Burlington which had a tragic conclusion when a car turned in front of the cruiser and the officer was unable to stop the cruiser in time. A 16-year-old Burlington youth who was a passenger in the car was killed. In the new set of guidelines, Deputy-Chief Harding says the police pursuit of suspected

criminals at high speeds is a facet of police duty which comes under closer public scrutiny than almost any other. "The reason for police pursuits may vary from a desire to carry out a routine check, discipline a traffic violation or recover a stolen vehicle to the apprehension of a person for a serious criminal offence," Deputy-Chief Harding says. "Undoubtedly, officers are required to take certain risks when in pursuit of fleeing vehicles, but his efforts to stop and apprehend should be within the bounds of sound judgement." **MANY FACTORS** A number of factors must be taken into consideration when deciding whether or not to pursue, for how long the pursuit should be maintained and at what speeds, the deputy-chief said. These factors include the seriousness of the offence, traffic, weather conditions, pedestrians, road condi-

tions, the speed of the offending vehicle and the capabilities of the police vehicle and the officer driving it. In the guidelines, the officer is told to keep the dispatcher informed when he embarks on a high-speed pursuit. He is instructed to bear in mind at all times that his safety, the safety of the public and that of

the suspect being pursued is of extreme importance while he is in pursuit. He is warned to watch out for such hazards as children playing, cars entering a road, intersections, lanes and alleys, traffic signals and signs. The guidelines also point out that while the Highway Traffic Act was recently amended to

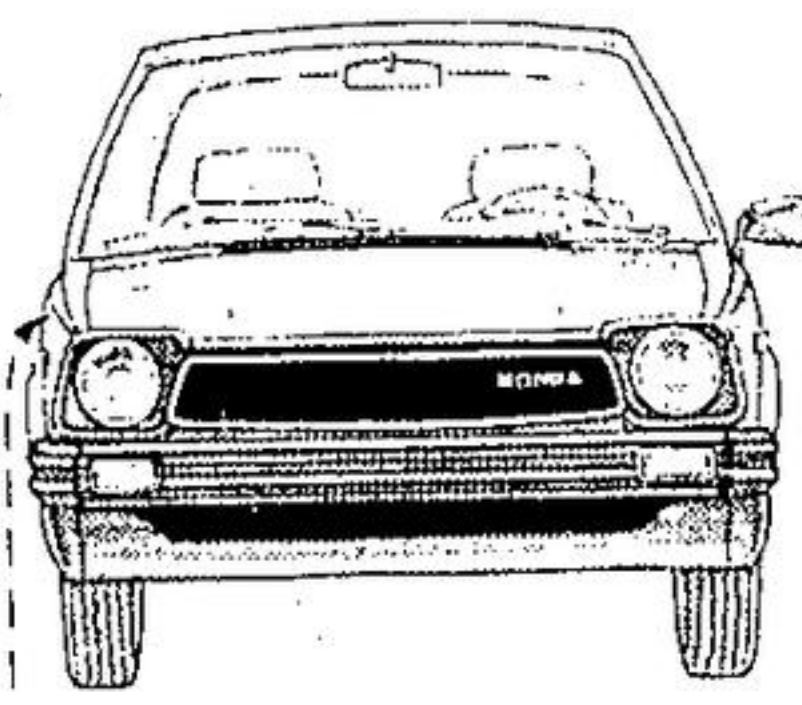
permit police vehicles to exceed the speed limit during the performance of their duties as police officers, there are no other exceptions included for other traffic violations.

J. Novak D.T. J. Kohari D.T.  
**Georgetown**  
 106 GUELPH STREET (on Highway 7 beside Post Office)  
**Denture THERAPY Clinic**  
 Phone: 877-8974 791-2314

Pre - Christmas  
 ★ SALE ★  
 at  
**KIRK KRAFT STUDIO**  
 Hwy. 7 Norval  
**1/2 Price** WROUGHT IRON  
 WALL SHELVES  
 WALL SCONCES  
 CANDLE STICKS  
**STONEWARE LAMPS**  
 Discontinued JEWELLERY LINES  
**ANGORA KNITTING YARN**  
**10% OFF EVERYTHING ELSE IN THE SHOP**  
 Til Nov. 30th  
 Mon. - Sat. 10-6 877-2974  
 Chargex Master Charge

Send our FTD Birthday Party Bouquet!  
 SEND A SURPRISE BIRTHDAY PARTY!  
  
 It whistles! It toots! It sticks out its tongue and says Happy Birthday! It's a bouquet of fresh flowers and fun. Call or visit us today. We know how to make a party out of any birthday.  
**FunDay FLORISTS**  
 82 Mill Street, Halton Hills  
 877-6901  
 The Greenhouse Florist

# THE NEW HONDA CIVIC. THIS IS HOW THE NEW LEGEND GOES.



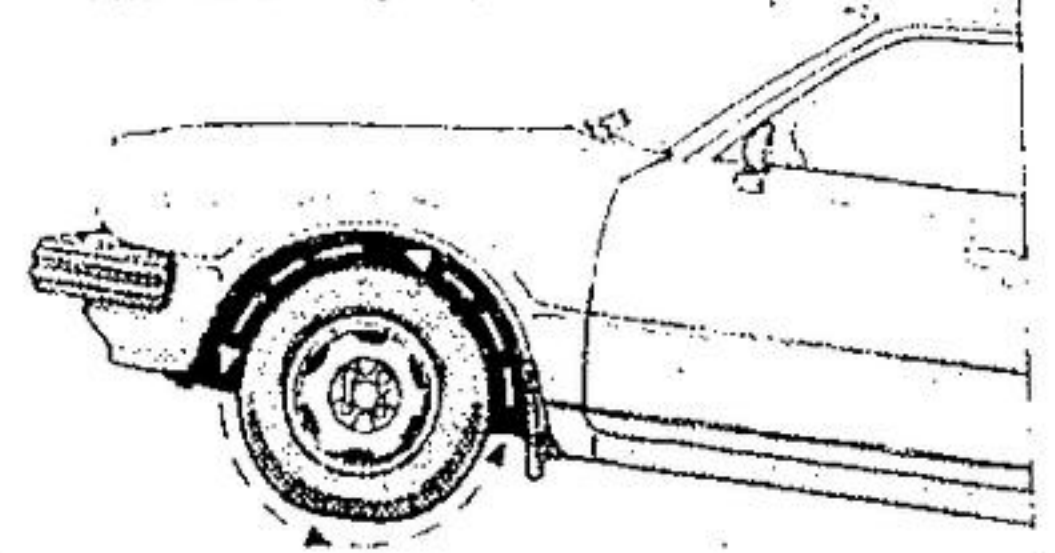
**GOES.** Under the hood of the new Civic, you'll find an engine which has a bigger displacement than last year's standard engine. The bigger engine gives the new Civic even more get up and go. Which gives you an even bigger reason to get up and go test drive the new Civic.

**GOES.** Conventional logic indicates that the bigger the engine, the smaller the mileage. However, Hondas do not use conventional logic. What they do use is regular gasoline. (GL model excepted). And very sparingly at that. Check the chart and you'll see that even with the bigger engine, the mileage is bigger. And better.

HONDA CIVIC FUEL ECONOMY FIGURES	ENGINE/TRANS.	LITRES PER 100 KM.
CIVIC 1500 GL UNLEADED FUEL	1.5 LITRE 5 SPEED	58
CIVIC HATCHBACK 5 SPEED	1.3 LITRE 5 SPEED	65
CIVIC HATCHBACK STD/DELUXE	1.5 LITRE 4 SPEED	67
CIVIC HATCHBACK HONDA MATIC	1.3 LITRE AUTO 2	78
CIVIC WAGON 5 SPEED	1.5 LITRE 5 SPEED	70
CIVIC WAGON HONDA MATIC	1.3 LITRE AUTO 2	86

FUEL CONSUMPTION MEASURED OVER A DISTANCE OF 100 KM COMBINING BOTH HWY AND CITY RATINGS

**GOES.** One of the reasons that many Canadians will continue to sing the praises of Honda is because when it snows and blows, a Honda Civic just goes and goes. The reason of course, is Civic's famous front wheel drive. It puts the weight of the engine over the wheels that drive and steer the car. Which lets those wheels bite into snow and mud and pull you through.



**GOES.** Its one thing to build a car that goes like the wind, and another thing to make a car that breezes along. But that's what we've done. The new Civic's suspension is like a breath of fresh air in the world of small cars. Its fully independent MacPherson Struts all around smooth out life's hard knocks and make it a comfortable car to drive over the long run.

**STOPS.** A car that goes also has to stop. So we went ahead and designed a braking system that could stop the new Civic in its tracks - straight and true. The front discs and calipers have been redesigned with all moving parts completely sealed for increased reliability and reduced maintenance. The rear drums are self adjusting. And the new servo system provides sure braking power with only light foot pressure.



## THE LEGEND GETS BIGGER.

**Baz Motors**

199 Guelph St. Georgetown  
 877-5286 or Toronto 676-1813

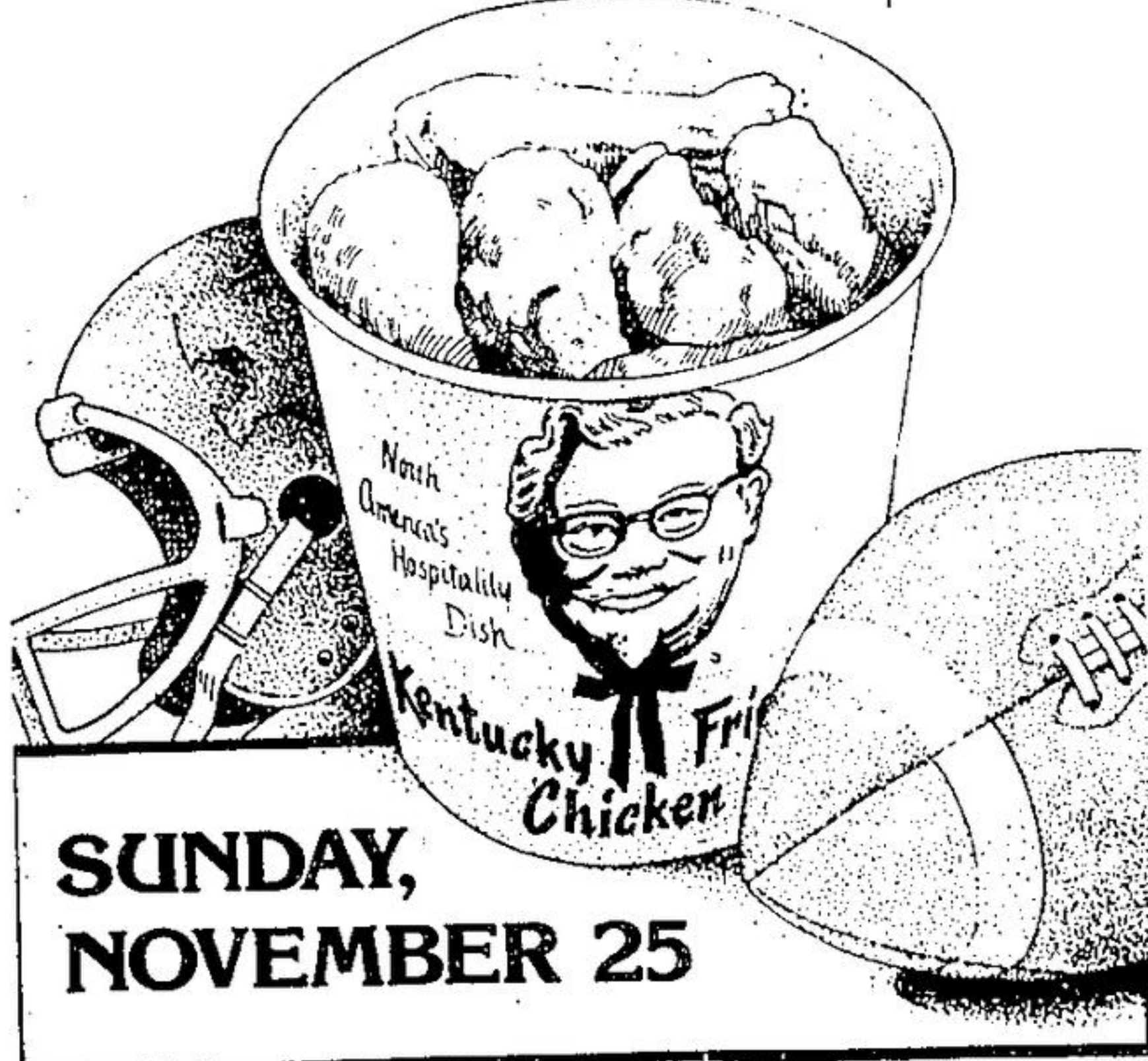
Something to cheer about!  
**GREY CUP SPECIAL BUCKET**

Just **\$6.00**

A great way to feed the gang at your Grey Cup party! A bucket contains 15 pieces of finger lickin' good Kentucky Fried Chicken. Enough for 5 to 7 hungry sports fans.

**Kentucky Fried Chicken**

Colonel Sanders boys and girls make it finger lickin' good!



**SUNDAY, NOVEMBER 25**

**chicken Villa**

116A GUELPH STREET

GEORGETOWN

877-5241