

ANNIVERSARY SALE

**Continues
Thurs-Sat.
Oct. 14-16**

Zellers Sale Prices Remain In Effect Until
Saturday, Oct. 16th Or While Quantities Last



**Men's
Polyester
Knit Tops**

5⁴⁴
EA.

Assorted stylings in machine-washable 100% polyester double knit. Patterned fronts combine with solid back and long sleeves. One style with layered look, the other with placket. Fashion colours. S.M.L.XL.

Acrylic "Big Tops"

3 super styles (2 shown) in ladies' acrylic-knit sweater big tops. All in an artful combination of stripes with solid colours. A TERRIFIC buy for your winter wardrobe in sizes S.M.L.

4⁷⁴
EA.



**Misses' Belted Pants
Of 100% Polyester**

7⁸⁴

You Save \$2 on these super pants that are a wardrobe "must". The latest styling features belted waist and narrower legs. 100% polyester knit is machine-washable and needs no ironing. In Air-force blue, green or brown for sizes 10-18.

**22% OFF
REG. PRICE**

Nylon Taffeta Ski Jackets

9⁹⁴
EA.

23% savings on these sporty jackets that look good on or off the slopes. Nylon taffeta shell with cosy filling, in 2 sleek stylings. Body-line style with contrast trim, flap pockets; belted instructor length with zip pockets. Hidden hoods. Navy, other shades in ladies' S-M-L.



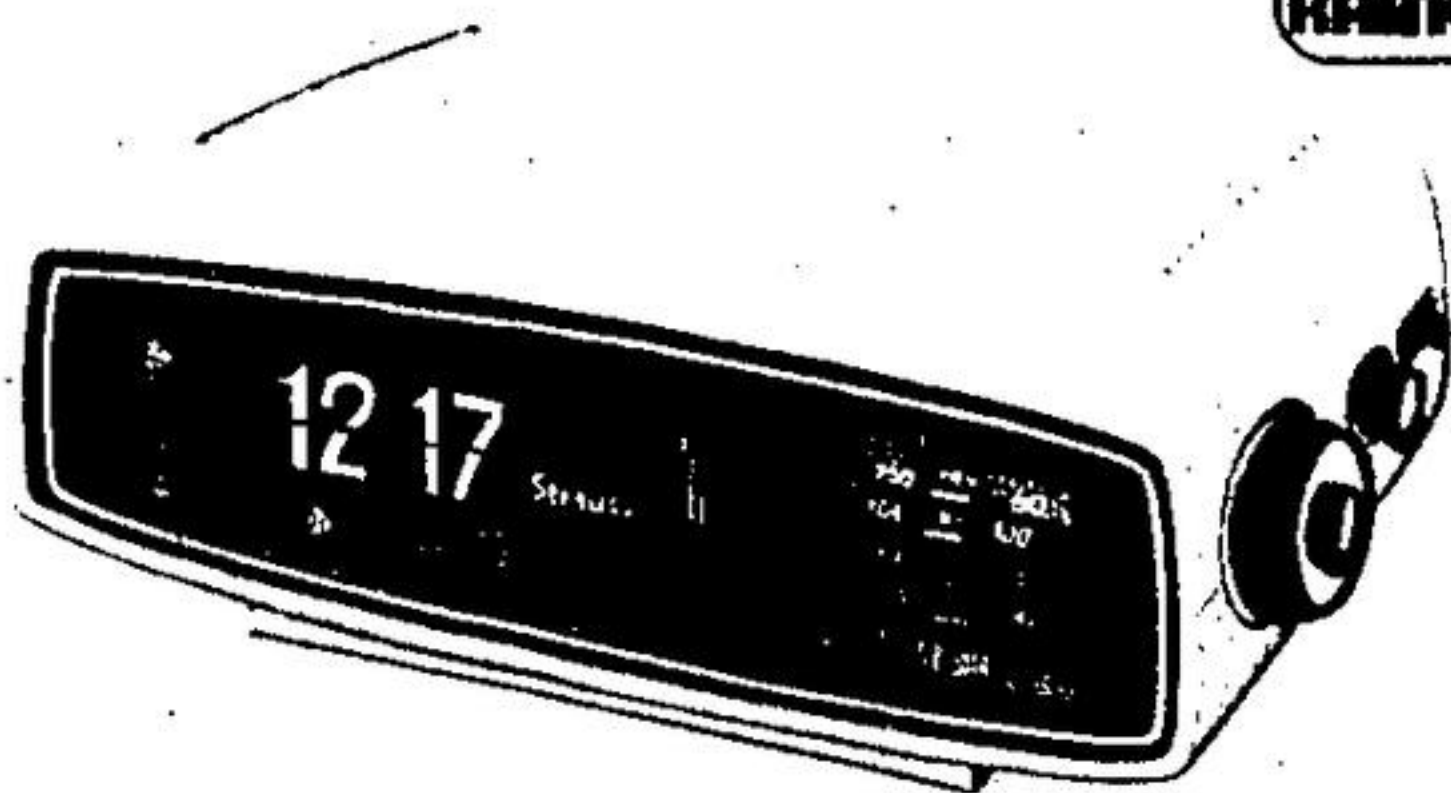
**All Advertised
Items Available At
Or Through
Zellers Stores**

AM/FM

Digital Clock Radio

27⁸⁴

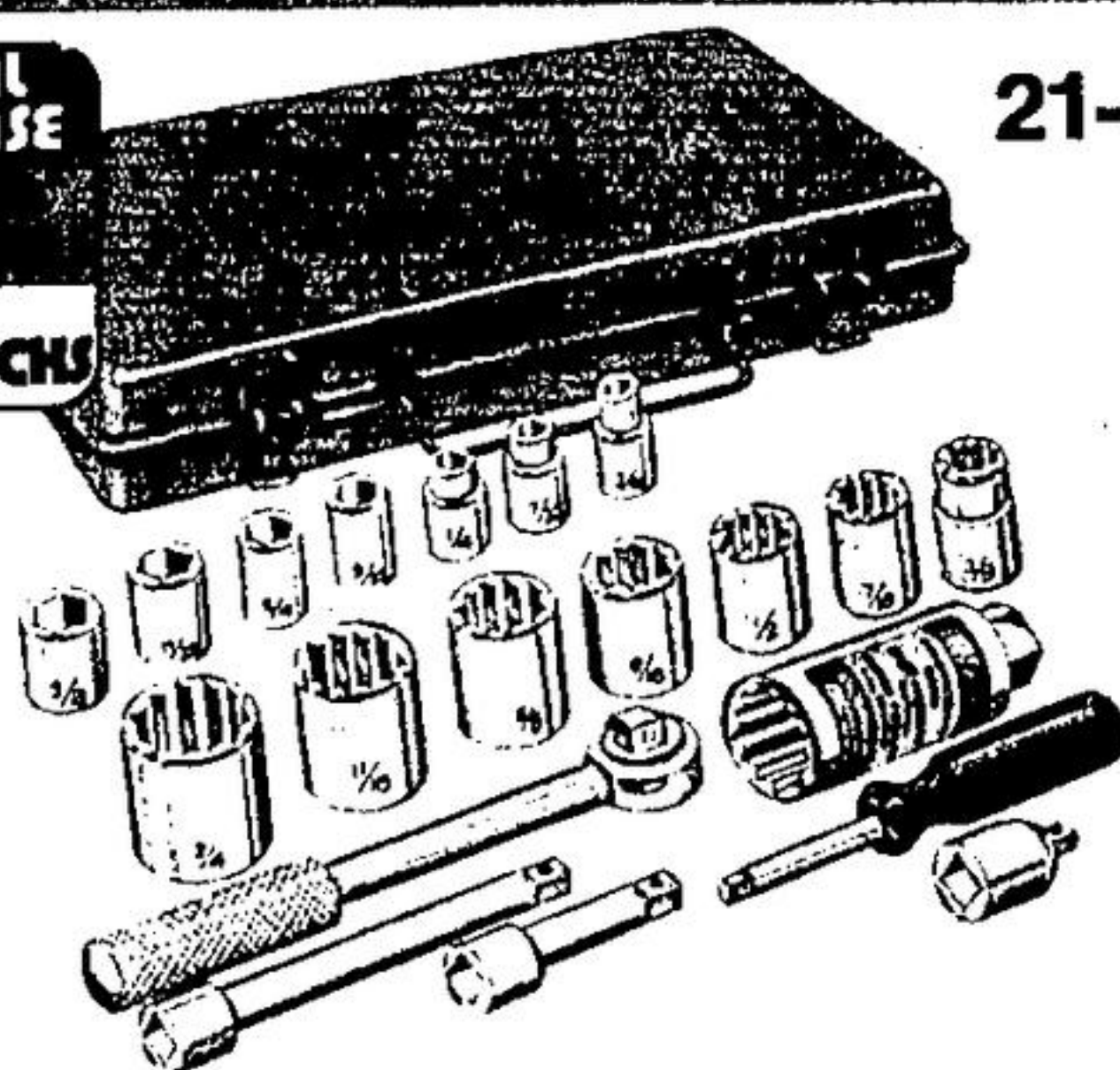
Includes: AM/FM Radio with built-in 4" speaker. Dependable clock movement with separate AM-PM readings. "Wake to music". Attractive white moulded cabinet with black facing.



**SPECIAL
PURCHASE
NO
RAINCHECKS**

**21-Pce. Ratchet
Socket Set**

9⁹⁴
SET



Available in Inch OR Metric Sizes. Includes one each 8" ratchet handle, 3" & 6" extensions, nut driver handle and spark plug socket with neoprene inset; 3/8" x 1/2" adapter; 14 sockets in other Inch OR metric sizes.

Zellers
SUBURBAN
DEPARTMENT
STORES

• **BRAMPTON**
Canton Mall
• **BROCKVILLE**
Brockville Shopping Centre
• **COBOURG**
West End Shopping Centre

• **CORNWALL**
The Mall
• **GEORGETOWN**
Georgetown Market
• **LINDSAY**
Lindsay Square

• **MIDLAND**
Highway 27 & Hugel Ave.
• **MILTON MALL**
Shopping Centre
• **MISSISSAUGA**
Westdale Plaza
• **NEWMARKET**
Upper Canada Mall

• **NORTH BAY**
Nipissing Plaza
• **ORILLIA**
County Fair Plaza
• **OSHAWA**
Five Points Mall
Oshawa Shopping Centre

• **OTTAWA**
Beacon Hill Shopping Centre
• **SMITHS FALLS**
County Fair Shopping Centre
• **THUNDER BAY**
County Fair Plaza
Northwood Park Plaza
• **WESTON**
Finch West Mall

YOUR SATISFACTION GUARANTEED IN OVER 150 ZELLER STORES COAST-TO-COAST

Advertising Supplement: Standard Free Holder, Topic Newsmagazine, Tuesday, October 12th, 1976. Newmarket Era, Aurora Banner, The Independent, Acton Free Press, Canadian Champion, Oshawa Times, Free Press Herald, The Shopper, Recorder Times, Daily Pocket Times, North Bay Nugget, Wednesday October 13th, 1976. Chronicle Journal Thursday, October 14th, 1976.