



JAZZ IN A MODERN SENSE The modern jazz classes, sponsored by Halton Hills Recreation Department, often see some very unusual movements made both by the students and by the instructor. Teaching the course for the recreation department is Mary Neal.

Marriage Course is cancelled

Perhaps it's the weather or the time of year. Regardless of the reason, due to lack of response the Georgetown District YWCA-YWCA has had to cancel another program which was to begin this week. Growth in Marriage and Family Relationships, a new course with consultant and counsellor Peter Marks as course leader, has been cancelled. According to Mr. Marks, the success of the course, which was aimed at individuals considering and, or parenting, and individuals who are presently involved in a family relationship, depended on the response and involvement of those who participated in the course. It was his opinion that with the extremely small number of enrollments this communications could not be made effectively. The 'Y' may include the course in the fall state of programs.

Lucky Lions draw winners

The Lions Club of Georgetown's 38th draw held January 13 resulted in three Georgetown residents taking home prize money. Keith Tracey, M. Armstrong and D. Merrill, all from town, held lucky tickets as did M. Hamner of Brampton and S. Moneypenny of Inglewood. The final Lion's draw will be held on January 23.

Bodnar, Watson named to education committee

Halton Hills' two trustees on the Halton Board of Education are going to have an interesting year ahead dealing with topics ranging from French instruction in Halton schools to early school leaving. Mr. Bodnar will serve on the advisory committee on French language instruction, the salary negotiating committee, the human resources committee (which deals with the contentious issue of pupil-teacher ratios) and the community schools administration committee. Trustee Watson has been appointed to the advisory committee on early school leaving, the finance committee, the communications and community relations committee, and the educational development and leave plan committee.

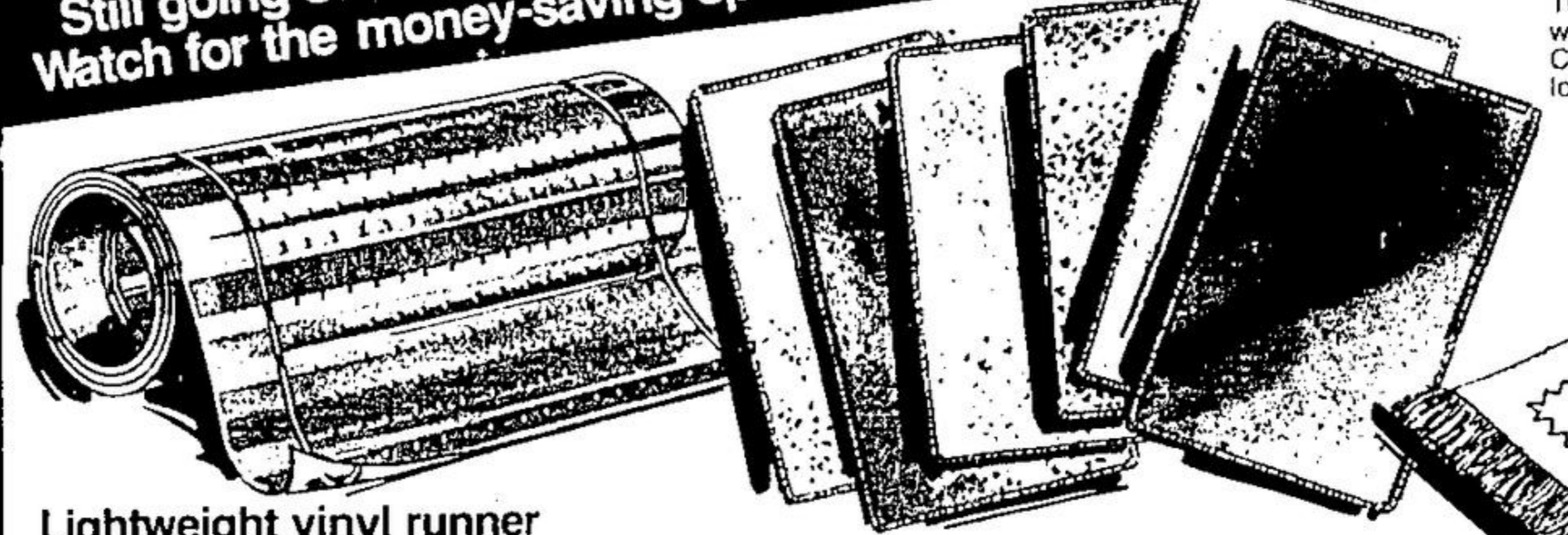
BEAVER

January RED TAG SALE!

FLOOR COVERING SPECIALS

Still going strong, and will be throughout January. Watch for the money-saving specials and clearances!

102" x 138" Jacquard Reversible Rugs
A gorgeous selection of Jacquard designs and colours is available in these reversible rugs. They're an 80% nylon/20% Olefin weave and have fringed ends. Compare Beaver's special low price.



Lightweight vinyl runner protects your broadloom
Grips your carpets to stay securely in place at all times. Will not crack or discolour and you can clean it with just a damp cloth. Has a non-slip surface for added safety. 27" wide
77¢ running ft

Scatter Mats in 2 Handy sizes
A variety of scatter mats, some with rubber back, some with jute back. Selection includes level loop, shag, plush, and more. At these low prices, why not buy several
112 188
18" x 27" 24" x 36"



Look for these store manager's clearances

WALLPAPER

IN STOCK PAPERS ONLY

50% OFF REGULAR PRICE

PANELS

Texture Stucco
Indoor - Outdoor
Size 4'x8'

\$4.99

Armstrong Place & Press

ECONOMY STUDS

2 x4s

59¢

APPLIANCES

All Our Floor Display Models
RED TAG SALE PRICED AT

20% OFF

FLOOR TILE

Reg. \$3.39 **\$2.99** 9 Tiles per Pkg.

Power Tools

All Our Floor Display Models

20% OFF

CARPET REMNANTS
NOW ON SALE

Quantities limited on clearance items... while they last

BUSINESS DIRECTORY

OPTOMETRISTS OPTOMETRIST L. M. Brown, R.O. 37 MAIN ST. S. Suite 1. For Appointments phone 877-3671 Please present Health Insurance Card	CHIROPRACTORS CHIROPRACTOR G. W. Corbett, D.C. 70 Mill Street, Georgetown For Appointment PHONE: 877-4631
OPTOMETRIST R. R. Hamilton, R.O. 16 Mountainview South Carrolal Professional Building For Appointment 877-3971 Please present Health Insurance Card	Evans Chiropractic Clinic 120 Guelph Street 877-7333 By Appointment
DRY CLEANERS BARRAGER'S Dry Cleaners and Shirt Launderers 877-2279 99 Main St. S. 166 Guelph Free Pick-up and Delivery All work done on premises	SURVEYORS CLIPSHAM MORETON LTD. ENGINEERS & SURVEYORS 16 Mountainview Rd. S. Halton Hills (Georgetown) 877-2211
RESTAURANTS OPEN FOR LUNCHES 7 DAYS A WEEK, 11 AM TO 4:30 PM Hunters Inn Country Restaurant 99 Mountainview Rd. N. 877-7252	SHOULD YOUR BUSINESS BE ADVERTISED HERE?



Don't Wait For Spring
"DO IT NOW"

STORE HOURS: Mon. 9 a.m. - 6 p.m. Tues. 9 a.m. - 6 p.m.
Wed. 9 a.m. - 6 p.m. Thurs. & Fri. 9 a.m. - 9 p.m. Sat. 9 a.m. - 6 p.m.
316 Guelph St. E., Georgetown — 877-2234