

BALLINAFAD

Six members from the Ballinafad branch attended the district annual of Halton District Women's Institute held at Hillcrest Church last Wednesday.

In the baking competition Ballinafad was awarded first prize for a loaf of home-made bread. Ashgrove won second.

In the candy competition first prize was won by Ashgrove and made by Mrs. Clayton Wilson. Second prize for candy was won by Dublin and made by Mrs. Wallace Lasby. A special prize was given this year by Mrs. Thelma Morris of Mount Union branch for the best P.R.O. report. It was reported at the district annual that Nelson branch had been awarded first prize, Esqueing second and Ballinafad third.

Congratulations P.R.O. branch conveners.

We extend sympathy to Mr. and Mrs. Duff who recently suffered a bereavement in the passing of Mrs. Duff's mother, Mrs. Rose, whose funeral was held at Bolton last week.

Eighth line residents were without hydro for about one hour on Saturday night when a car left the road and broke off a hydro pole at the corner of the eighth line and the Ballinafad sideroad.

Mr. and Mrs. Lloyd Marshall accompanied Mr. and Mrs. John Polo and family to Toronto on Sunday. They attended a fare-well party for cousins Mr. and Mrs. Sam Cotter who are leaving to live in Jamaica shortly.

Mrs. Don Brown was hostess for the May meeting of the U.C.W. Mrs. Ernest McEnery president, opened the meeting and called on Mrs. Gloria Johnson for devotions after a short business period.

Mrs. Doreen LaRose had the topic, which was based on the home. It was a timely subject and well given by Mrs. LaRose. A lively discussion followed the meeting.

The roll call was a garden hint and at the end of the meeting there was an exchange of plants. Mrs. Grace McEnery assisted Mrs. Brown with serving lunch.

The attendance was not too good at church on Sunday, but the sermon was especially good, based on "The Resurrection and the Life" taken from St. John's Gospel.

The beautiful flowers placed in the front of the church were in memory of Mrs. Duff's mother who recently passed away.

by Winifred Smith

HORNBY

Anniversary greetings are extended to Mr. and Mrs. Doug Leslie, who celebrate their wedding anniversary on May 23. Best wishes are extended to Doug and Adele.

Get well wishes are extended to Dorothy Featherstone, who under went surgery at the Milton District Hospital, on Thursday May 16.

Birthday greetings are extended to Mrs. Jack Miller, who will celebrate her birthday, on May 29.

Hornby T-Ball will be held on Wednesday, May 29. Registration will be taken that night.

Get well wishes are extended to Mrs. Lillian Howden, who is in the Milton District Hospital. Best wishes to Lillian.

The North Trafalgar Euchre Club held their weekly euchre party, on Saturday night, at the North Trafalgar Recreation Centre. There were seven tables of euchre in play.

The girls prizes were won by the following: Wilmer Mason, Wilbert Nix, Donald Douglas, and Jim Hamilton. The ladies prizes were won by Violet Nix, Winnie Hamilton, Martha Ellis and Marie Peacock. The next euchre will be Saturday night.

Birthday greetings are extended to George Treanor, who will celebrate his birthday on May 21. Best wishes to George.

Birthday greetings are extended to Canon J. E. Maxwell, who celebrated his birthday on May 20.

Get well wishes are extended to Mrs. Earl McMillan, who is in the Milton District Hospital. —Mrs. Jim Hamilton

BEAVER

everything you need to make it on your own.

BEAVER

4' CROSS RAIL

Decorative open-style fence makes a handsome border. All naturally weather-resistant cedar. Price includes heavy-duty 4"x 4" posts and 1" x 6" cross-bar material.

3' BAR SIX

Six rails mark property boundaries in fine style. All cedar for longer life and weather-resistance. Heavy-duty 4" x 4" posts and 1" x 6" rail material.

4 1/2' PANEL

A great complete privacy fence with ventilation space at bottom. Price includes 1/2" thick Aspenite sheathing and 4" x 4" spruce posts. Great with a Beaver stain.

5' BASKETWEAVE

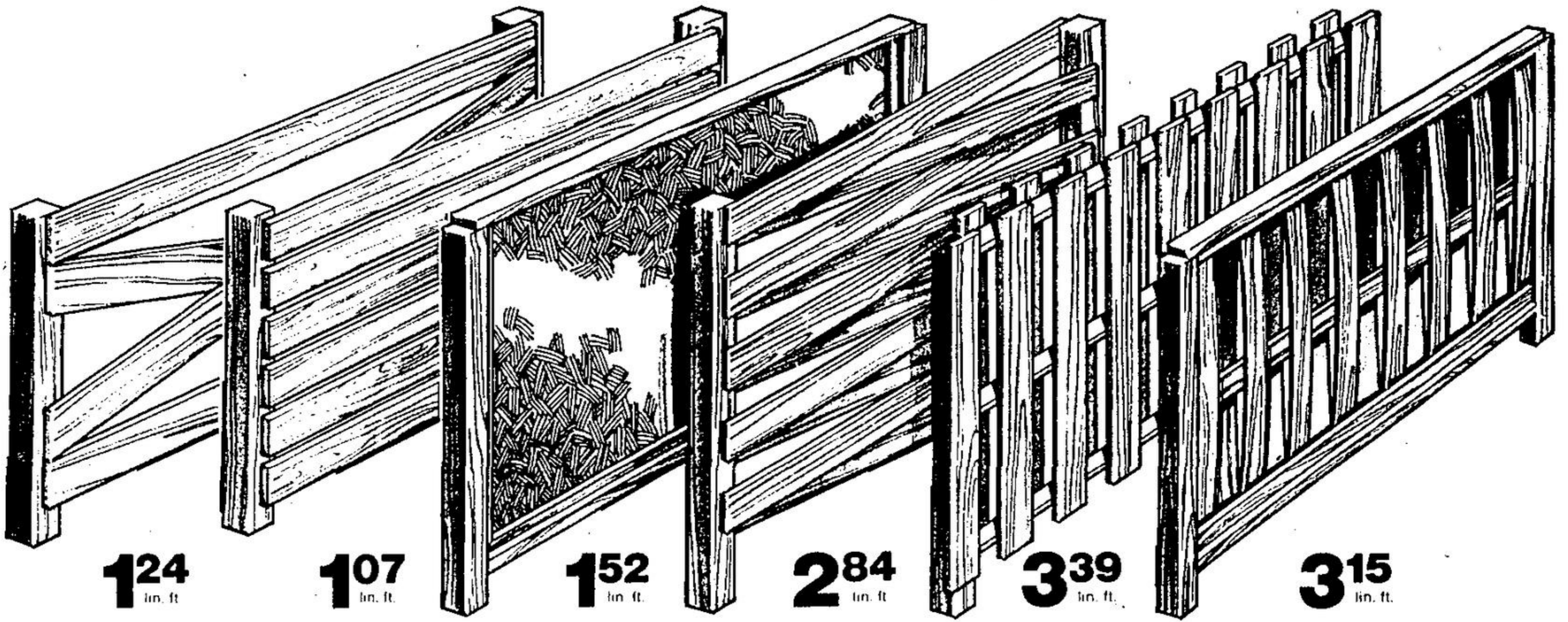
Decorative design that gives privacy plus excellent ventilation. Weather-proof cedar with 4" x 4" posts and 1" x 6" planks. Finish it with stain for lasting looks.

6 1/2' ESTATE

High-styled privacy soars to 6 1/2 feet. Alternating planks allow for plenty of ventilation. 4" x 4" spruce posts and 1" x 6" planking. Great with Beaver Stain finish.

6' PATIO

Unique design gives patio privacy with good ventilation. 4" x 4" spruce posts carry 1" x 6" planks. Make a fence to be admired—use Beaver stain in one of nine colours.



124
lin. ft.

107
lin. ft.

152
lin. ft.

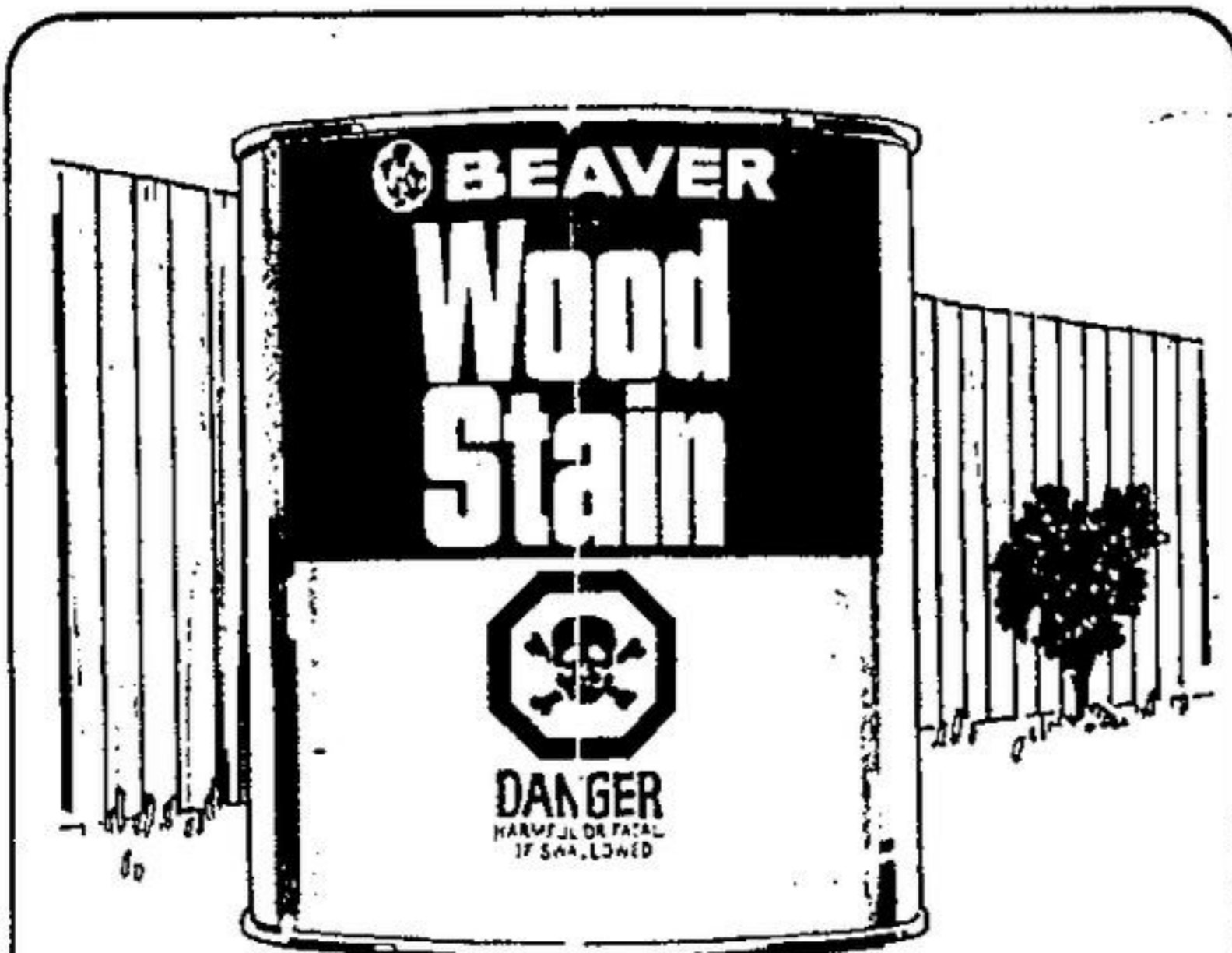
284
lin. ft.

339
lin. ft.

315
lin. ft.



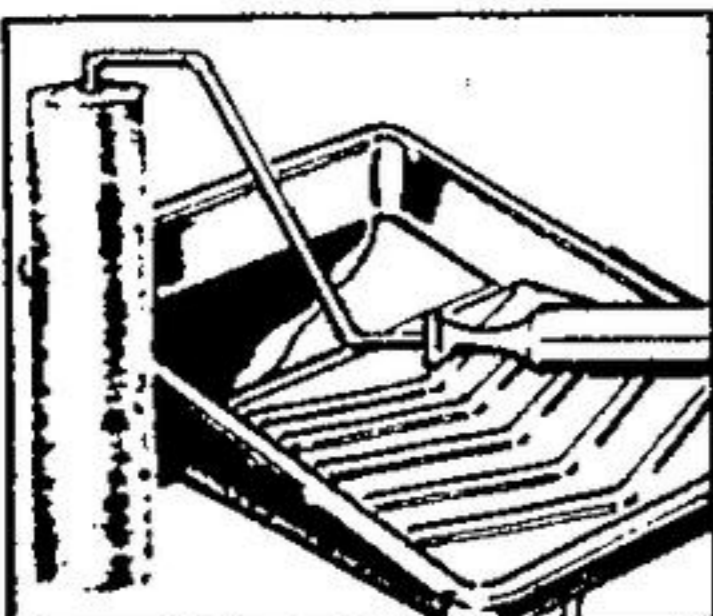
Good neighbour fences, you build!



Beaver Wood Stain

Here's interior and exterior protection for unfinished wood. Highly resistant to blistering, cracking and peeling. Rock Maple, Fruitwood, Knotty Pine, Salem Maple, Mahogany, Walnut, Cedar.

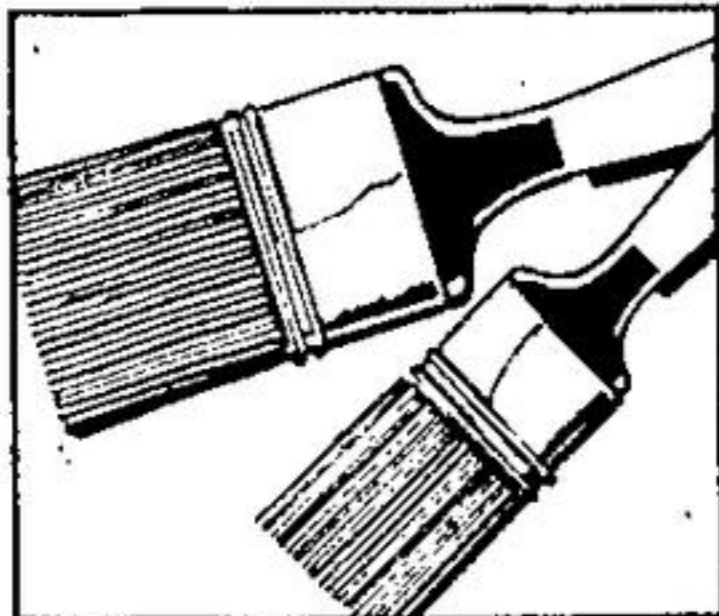
7⁹⁹ Gal.
2⁵⁹ Qt.



Paint Roller & Tray Set

Quick, easy way to paint. Includes 7 1/2" mohair roller and handle with metal tray.

244



Beaver Pure Bristle Brushes

A quality brush that gives a professional finish with long, natural bristles.

249 3" wide **394** 4" wide

Cedar Picnic Table

Seats the whole family—7 1/2" long. Nail legs and seats to assembled top.



29⁹⁵

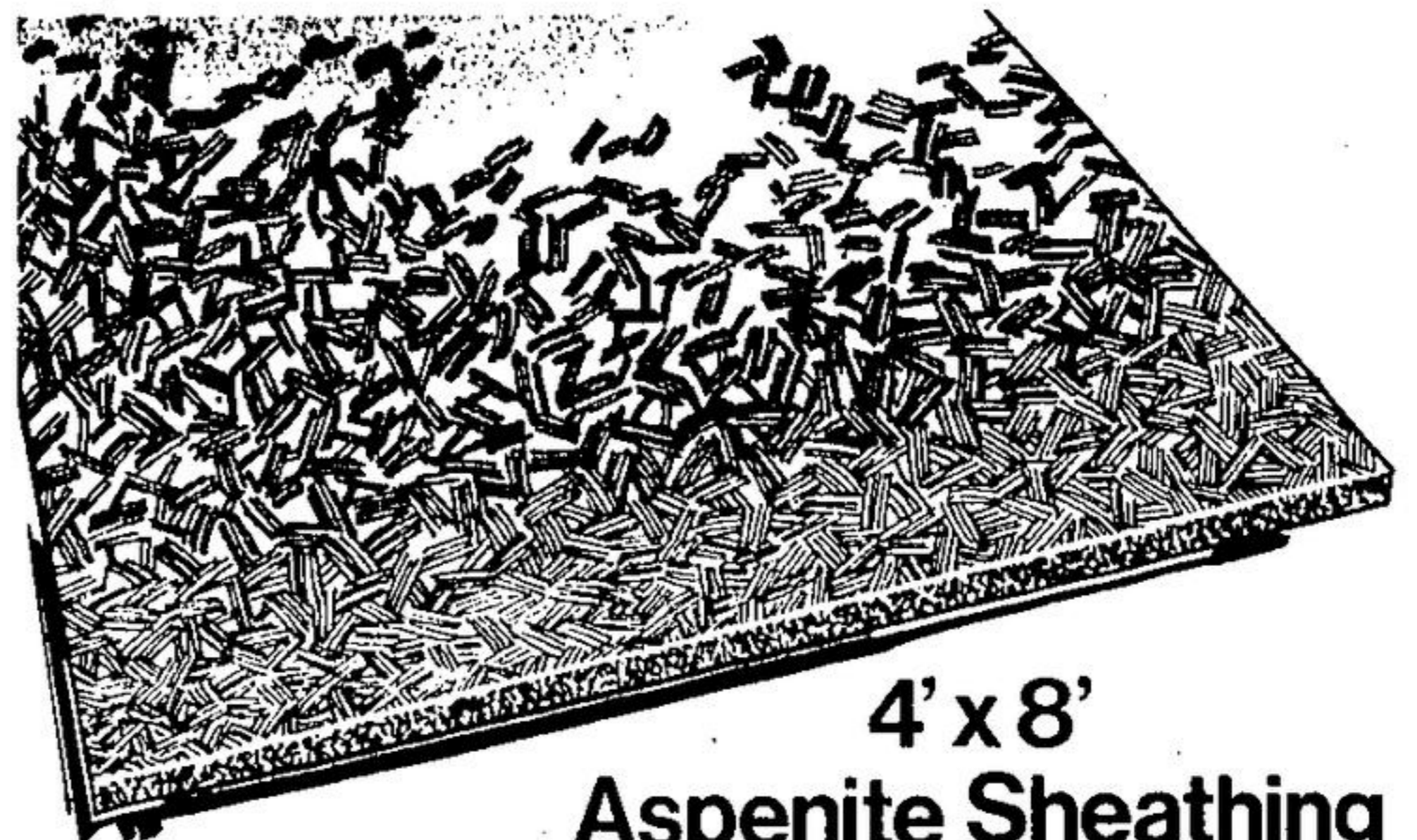
Construction Grade Cedar

The lasting material for decks, fences and any outdoor construction. Great look for indoors, too.

1" x 6" x 8' **160** ea.

2" x 4" x 8' **152** ea.

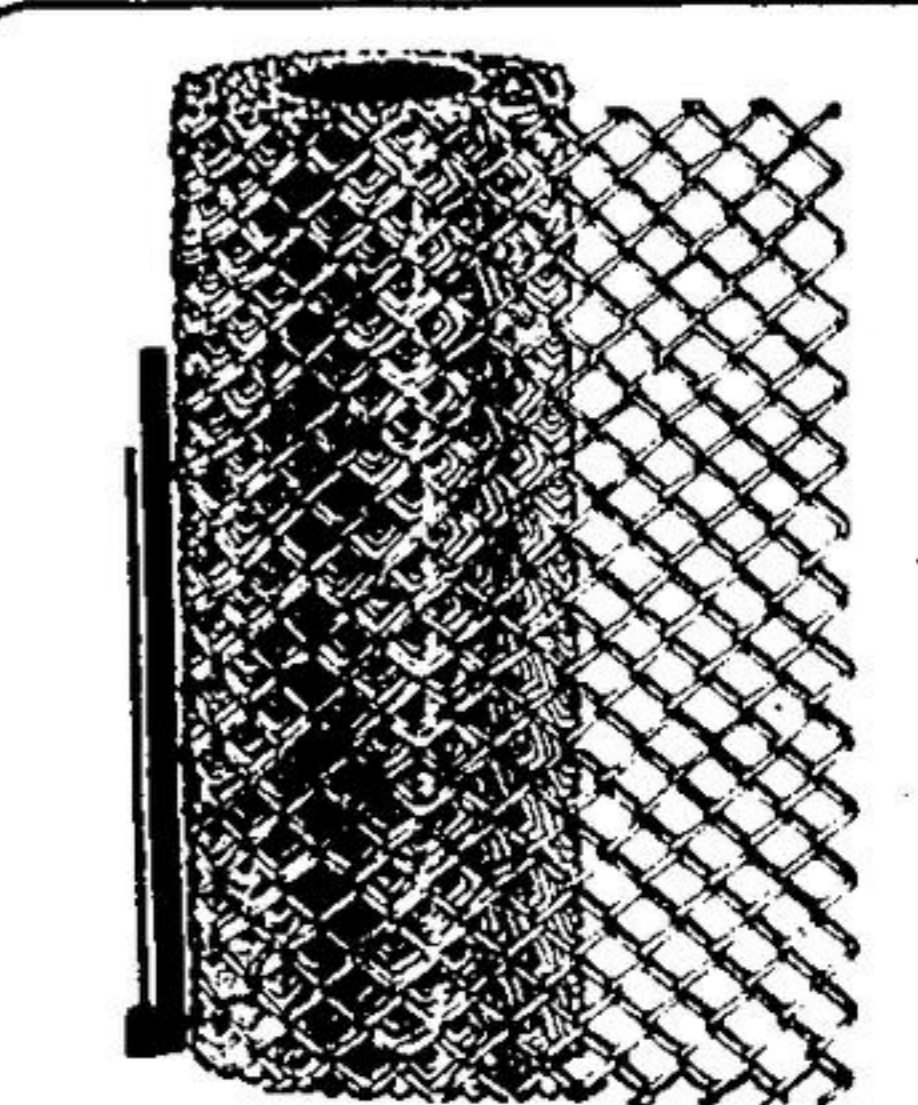
4" x 4" x 8' **392** ea.



4' x 8' Aspenite Sheathing

Economical wood-chip panel that works well in fencing, garages... any place warp-resistant and weather-resistant wood is needed for the job.

4' x 8' x 1/4" **479**



Vinyl-Covered Chain-Link Fencing

2 x 2" mesh keeps pets, children safely in and strays out. 11-gauge steel mesh coated in Green vinyl—protects against rusting and blends with lawn. 42" high. 50-foot roll.

23⁷⁹ 50-ft. roll

HERALD
PROFESSIONAL PRINTING
FOR ALL YOUR NEEDS
THE HERALD

HERALD CIRCULATION
TELEPHONE
877-2201
9 a.m. to 5 p.m.

 **BEAVER**

OPEN 9 a.m. to 9 p.m. Monday to Friday
Saturday 8:30 a.m. to 6 p.m.
316 Guelph Street E., Georgetown — 877-2234