

BALLINAFAD

**W.I. Schedule
Picnic For June**

The May meeting of the Ballinafad W.I. was held at the home of Mrs. Jesse McEnery. The president Mrs. Wm. McLean opened by reading a paragraph from "The Northern Lights," then all repeated the W.I. ode and Mary Stewart Collect.

Many items of business were brought up and discussed, including the district annual coming up later in the month, and the International Plowing Match which will be held in Halton County this fall.

The tour and picnic scheduled for the June meeting will be at a later date. Mrs. Hvedehave said she would be hostess for the June meeting and it will be on the regular date in the evening.

Mrs. R.B. Kirkwood, as curator took over the meeting, and called on Mrs. L. Marshall for current events.

Mrs. Given gave the motto. She had some interesting facts, the theme being, "The Pendulum of Times Make Current Events History for Tomorrow." Mrs. Jesse McEnery gave a reading from one of the old school readers.

To end the program Mr. McEnery was called in to the meeting and in fine style was auctioneer for the sale of plant seeds and bulbs members had brought with them. It proved to be quite successful and an extra \$7.00 will be put to good use in the welfare fund.

Mrs. Hvedehave and the hostess served a delicious lunch and a social time followed.

Sympathy is extended to Mrs. Donald McLean and Mrs. Edwin Perryman who recently suffered a bereavement in the loss of their brother-in-law Mr. Clayton Beswick.

We are sorry to hear Mrs. Archie McEnery is a patient in the Georgetown Hospital. Her many friends hope she will soon be able to return home.

Wedding bells still continue to ring in the village. Friday evening was the scene of a very pretty wedding in the church when Nancy Swindlehurst a Ballinafad girl, and Chris Wallace, a young man from Acton took their vows in the presence of family and friends. Rev. Stiles was the officiating Clergyman.

Later the wedding party went to the Ballinafad Community Centre where they received many guests. A bounteous buffet supper prepared by the bride's family and served by members of the Women's Institute was enjoyed by all. Dancing followed and another very happy occasion came to a close.

Saturday afternoon guests arrived at the church for the wedding of Miss Wendy Klatt to Mr. John MacDougall. The reception followed the wedding, in the basement of the church. The U.C.W. catered for the dinner. Later friends and other relatives met at the Community Centre to offer congratulations to the happy couple. Dancing was enjoyed and refreshments served.

Little ones from the Kindergarten class at Brisbane School invited their parents, sisters and brothers to a tea party at the school on Wednesday afternoon. The children with the help of their teacher prepared the cookies at school. Each child had been practicing for days on the proper way to carry a teacup. They managed very well without any mishaps to the china. Each guest was given a recipe book on leaving which the children had made themselves.

It was all part of their school work as well as honoring mother on her day.

Congratulations to Mr. and Mrs. Robert McEnery who recently celebrated 62 years of married life. They farmed for many years at Ballinafad and now live in Acton. Member's of the McEnery family surprised them with a party last Wednesday evening.

Mr. and Mrs. Bud Snow recently returned from Denver Colorado. Bud attended Road School there. Before returning home they visited Colorado Springs.

Mrs. Wm. McLean, president of Ballinafad W.I. was a guest at Mount Union's W.I. birthday party last Friday.

Welcome to Mr. and Mrs. Bill Reid who are now living in their new home on the 7 line near Ballinafad.

Mr. and Mrs. Jim Miller and Mrs. Rose Miller from Toronto, visited with the Marshalls' on Sunday.

By Winifred Smith

BEAVER

BEAVER

everything you need to make it on your own.

4' CROSS RAIL

Decorative open-style fence makes a handsome border. All naturally weather-resistant cedar. Price includes heavy-duty 4" x 4" posts and 1" x 6" cross-bar material.

3' BAR SIX

Six rails mark property boundaries in fine style. All cedar for longer life and weather-resistance. Heavy-duty 4" x 4" posts and 1" x 6" rail material.

4 1/2' PANEL

A great complete privacy fence with ventilation space at bottom. Price includes 1/2" thick Aspenite sheathing and 4" x 4" spruce posts. Great with a Beaver stain.

5' BASKETWEAVE

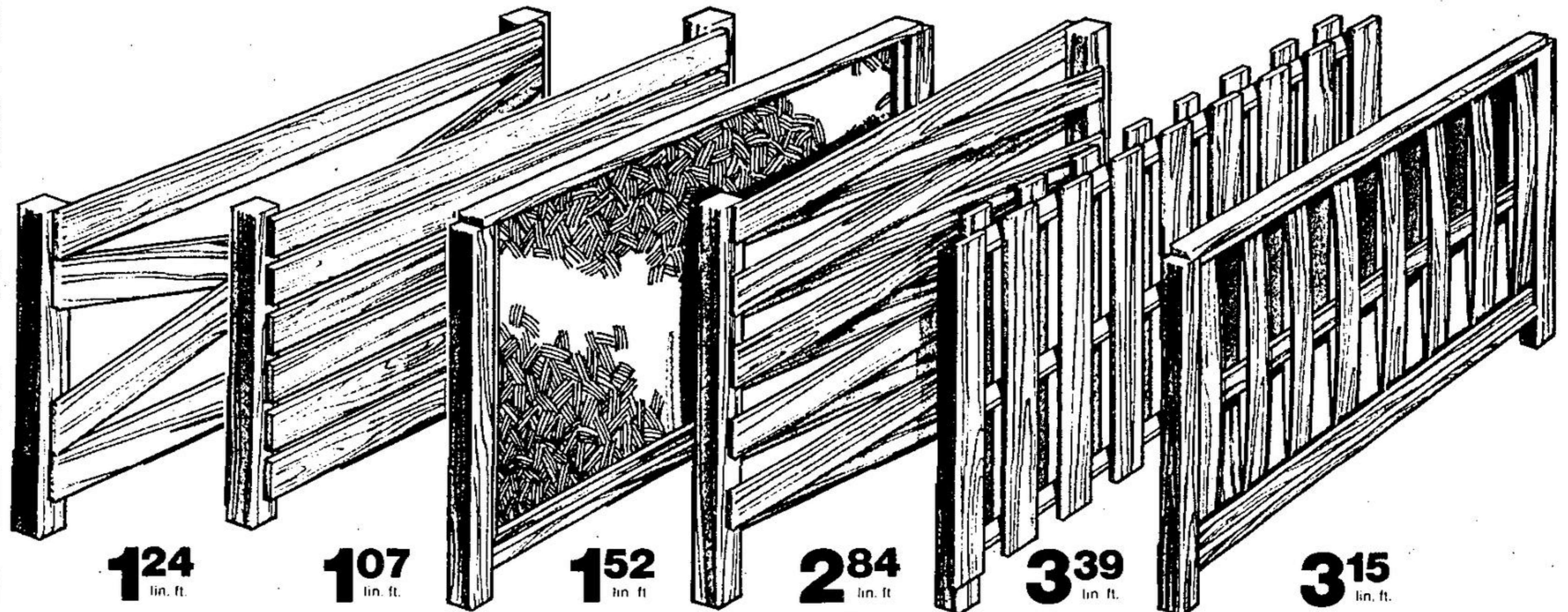
Decorative design that gives privacy plus excellent ventilation. Weather-proof cedar with 4" x 4" posts and 1" x 6" planks. Finish it with stain for lasting looks.

6 1/2' ESTATE

High-styled privacy soars to 6 1/2 feet. Alternating planks allow for plenty of ventilation. 4" x 4" spruce posts and 1" x 6" planking. Great with Beaver Stain finish.

6' PATIO

Unique design gives patio privacy with good ventilation. 4" x 4" spruce posts carry 1" x 6" planks. Make a fence to be admired—use Beaver stain in one of nine colours.



124
lin. ft.

107
lin. ft.

152
lin. ft.

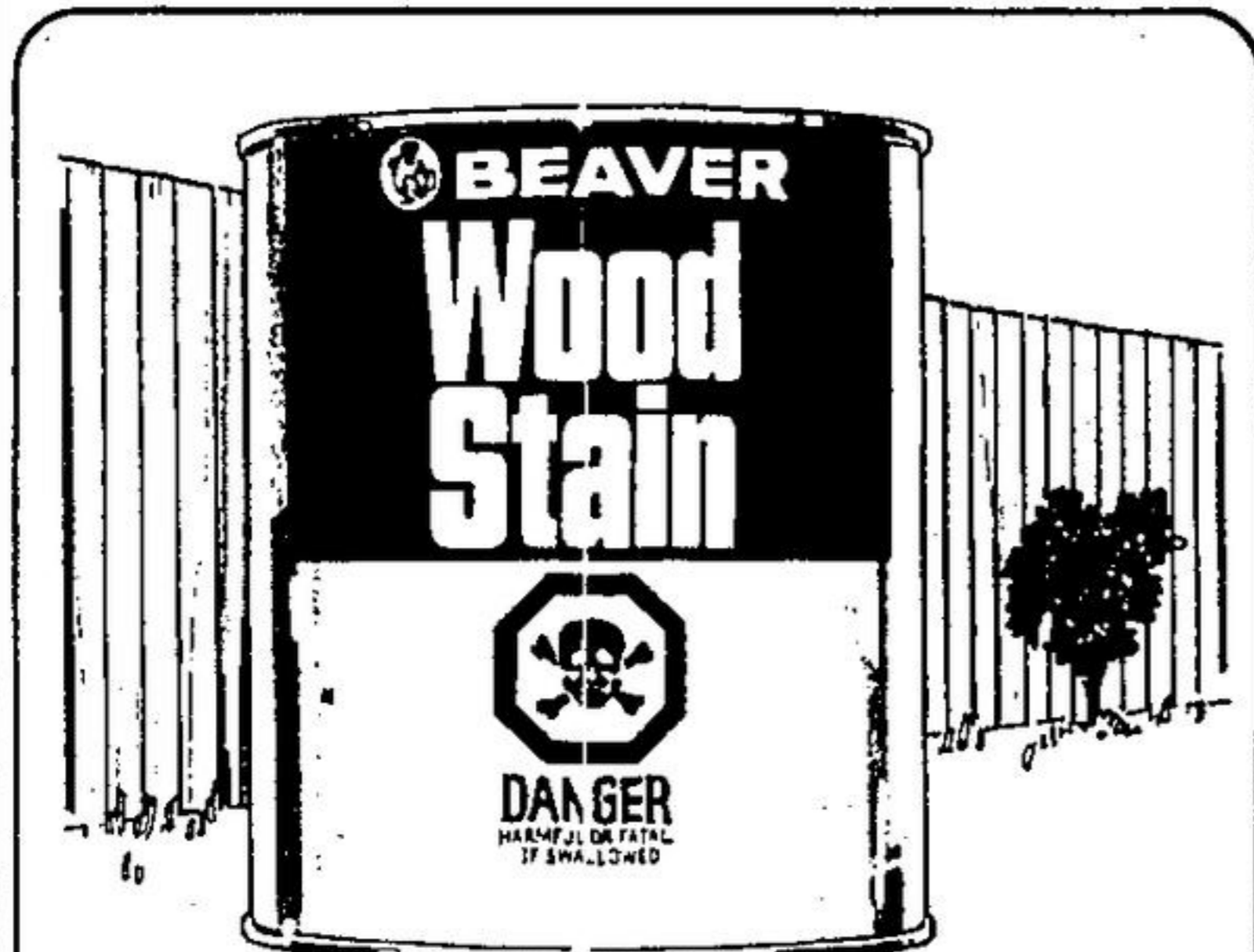
284
lin. ft.

339
lin. ft.

315
lin. ft.



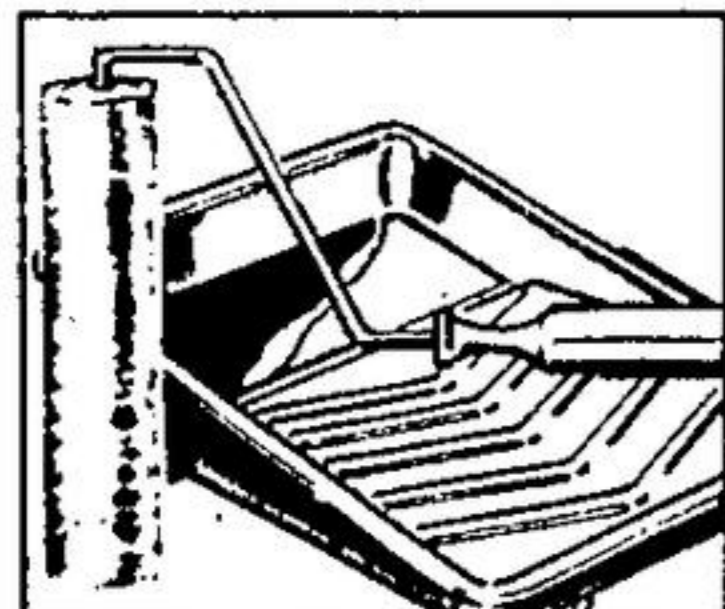
Good neighbour fences, you build!



Beaver Wood Stain

Here's interior and exterior protection for unfinished wood. Highly resistant to blistering, cracking and peeling. Rock Maple, Fruitwood, Knotty Pine, Salem Maple, Mahogany, Walnut, Cedar.

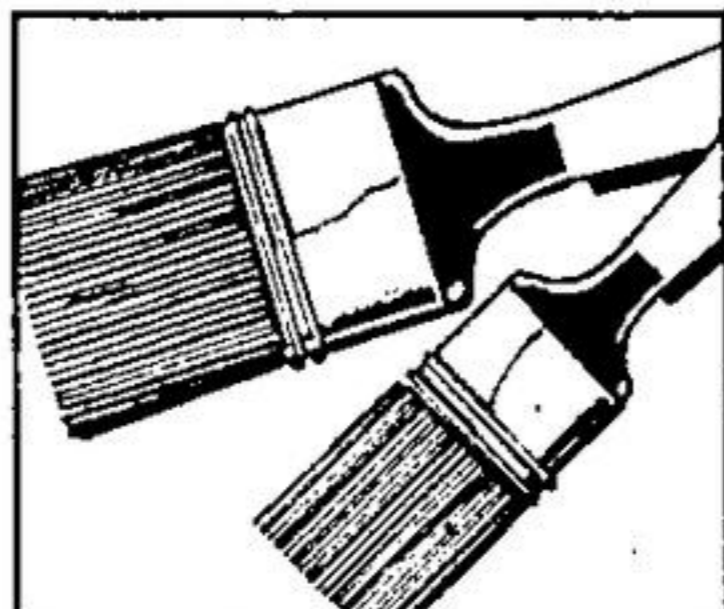
7⁹⁹ Gal.
2⁵⁹ Qt.



Paint Roller & Tray Set

Quick, easy way to paint. Includes 7 1/2" mohair roller and handle with metal tray.

244



Beaver Pure Bristle Brushes

A quality brush that gives a professional finish with long, natural bristles.

249 3" wide **394** 4" wide

Cedar Picnic Table

Seats the whole family—71" long. Nail legs and seats to assembled top.



29⁹⁵

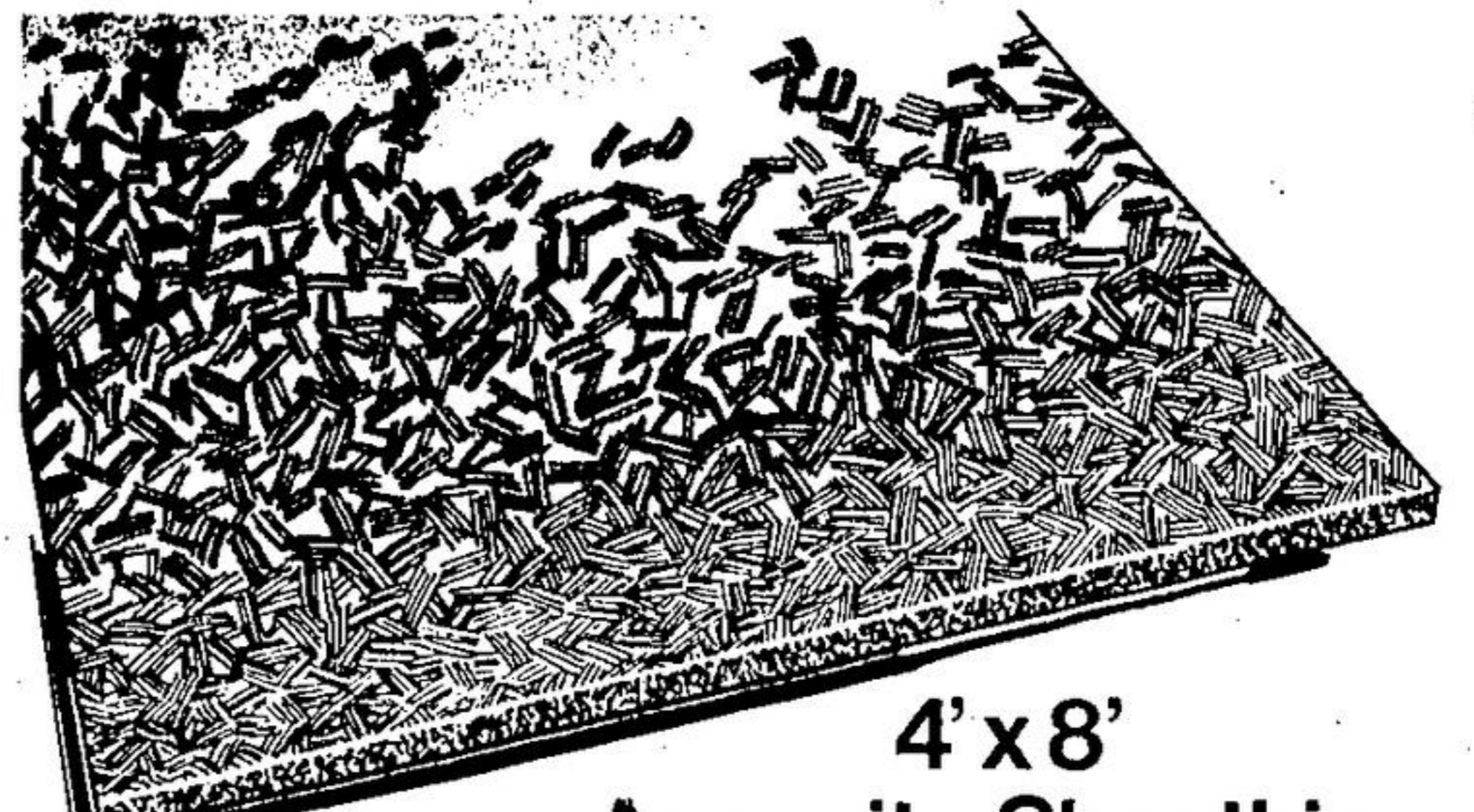
Construction Grade Cedar

The lasting material for decks, fences and any outdoor construction. Great look for indoors, too.

1" x 6" x 8' **160** ea.

2" x 4" x 8' **152** ea.

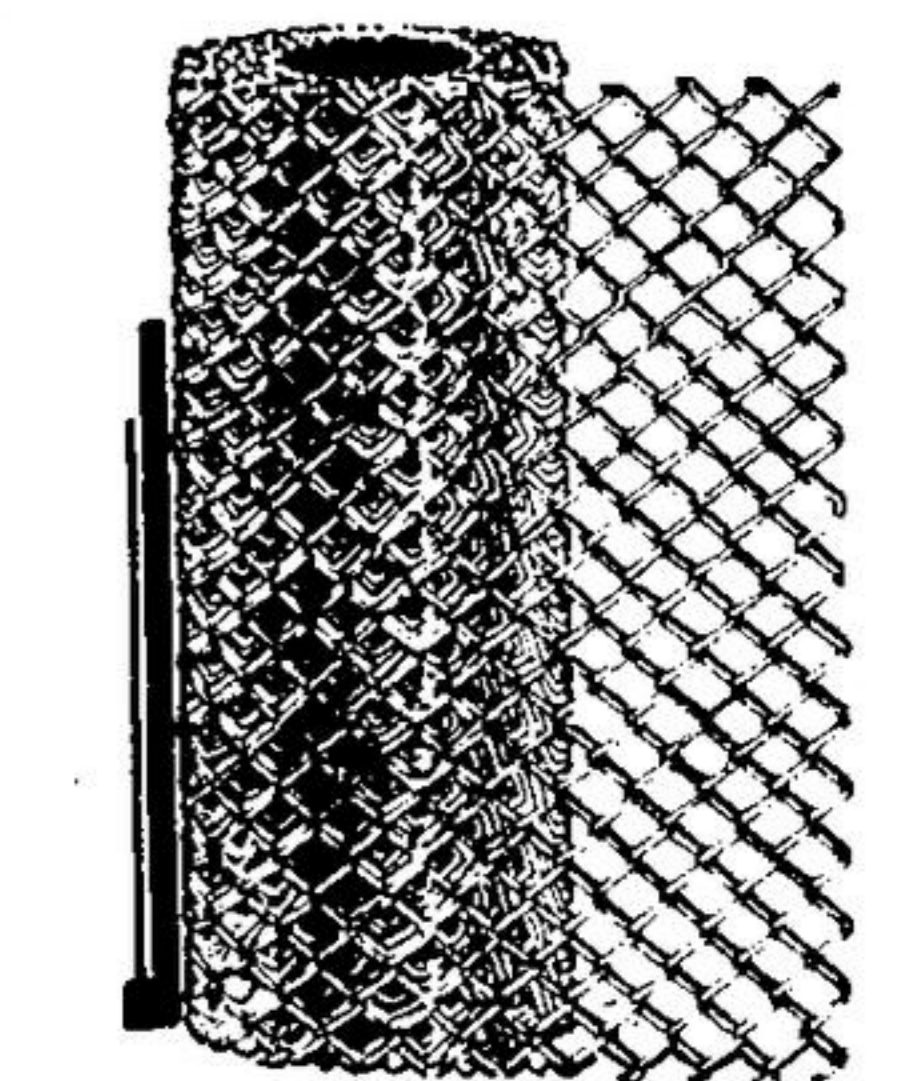
4" x 4" x 8' **392** ea.



4' x 8' Aspenite Sheathing

Economical wood-chip panel that works well in fencing, garages... any place warp-resistant and weather-resistant wood is needed for the job.

4' x 8' x 1/4" **479**



Vinyl-Covered Chain-Link Fencing

2 x 2" mesh keeps pets, children safely in and strays out. 11-gauge steel mesh coated in Green vinyl—protects against rusting and blends with lawn. 42" high. 50-foot roll.

23⁷⁹ 50-ft. roll

For The Convenience Of Our Customers

Beaver Will Be OPEN MONDAY, MAY 20 - 9 a.m. to 6 p.m.



PROFESSIONAL PRINTING
FOR ALL YOUR NEEDS
THE HERALD