

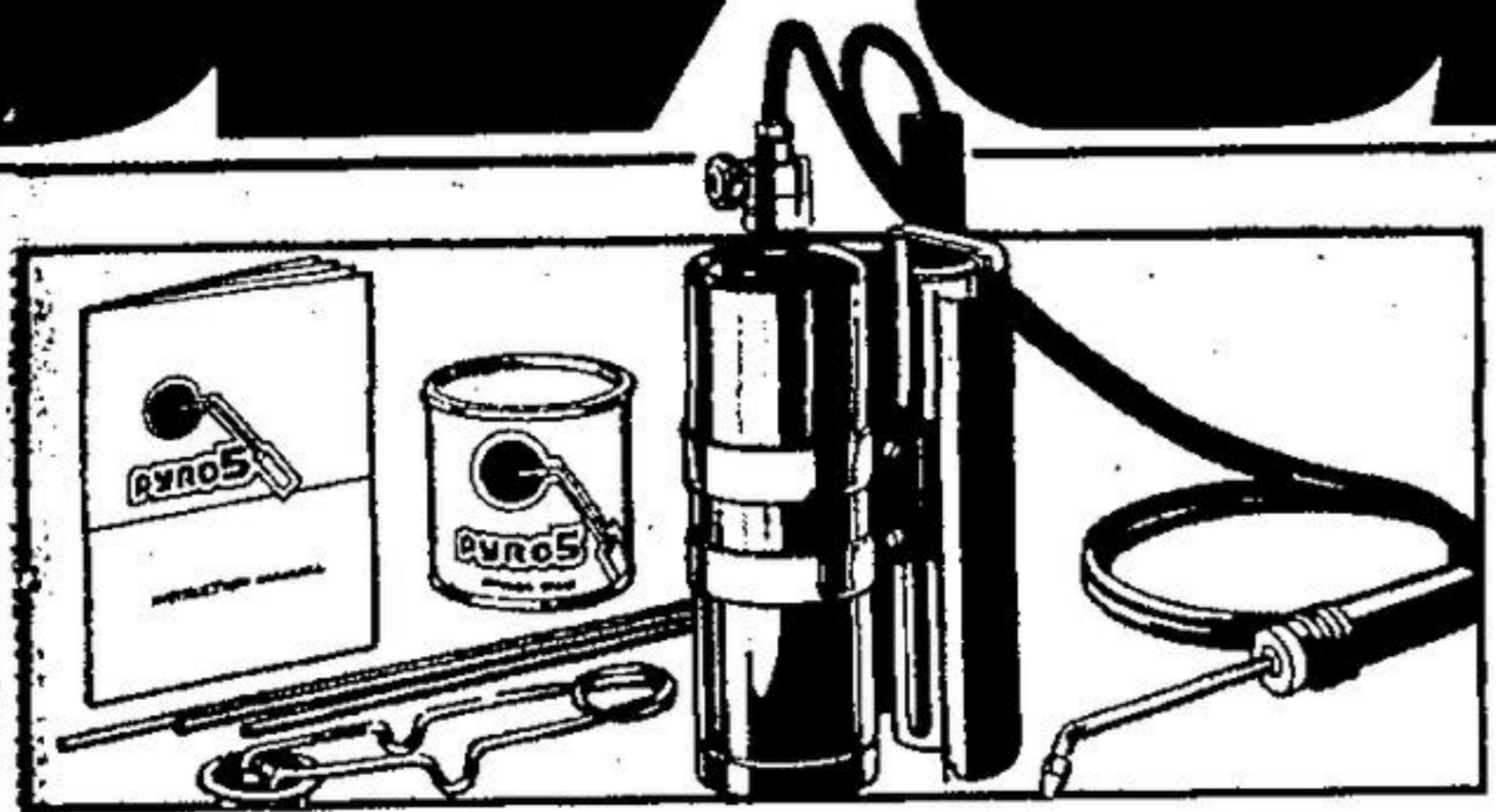
Canada

4 Great Days to save on your handyman needs!

Starts: March 6th
Ends: March 9th

DIY SALE

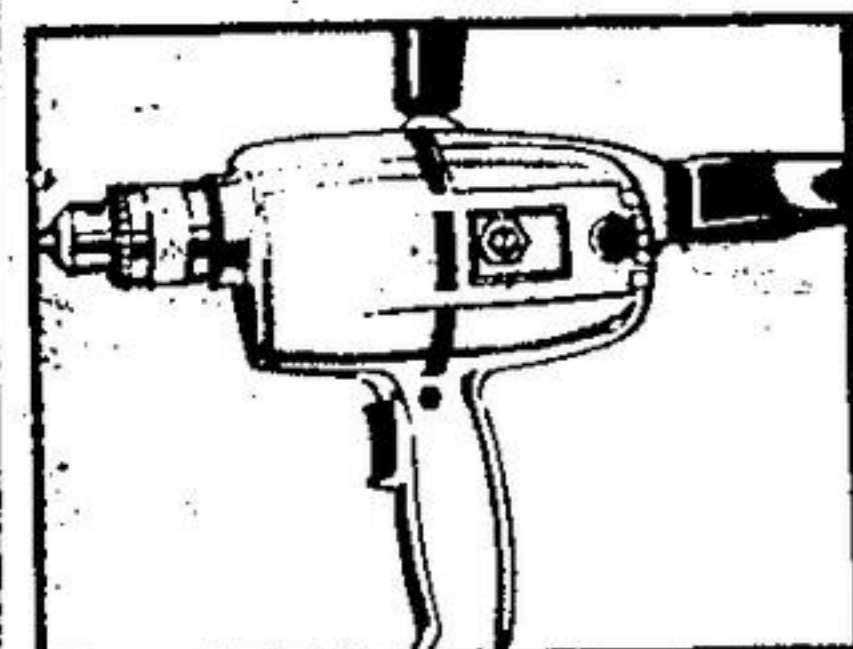
Your Choice



Shop or Hobby Welding Torch Kit

Safe and simple-to-use. Portable, economical. Kit contains: torch, 1 container of propane, 7 oxygen sticks, spark igniter, brazing rods, manual and information. Reaches temperatures of 5000° for welding, brazing or soldering.

29⁹⁹

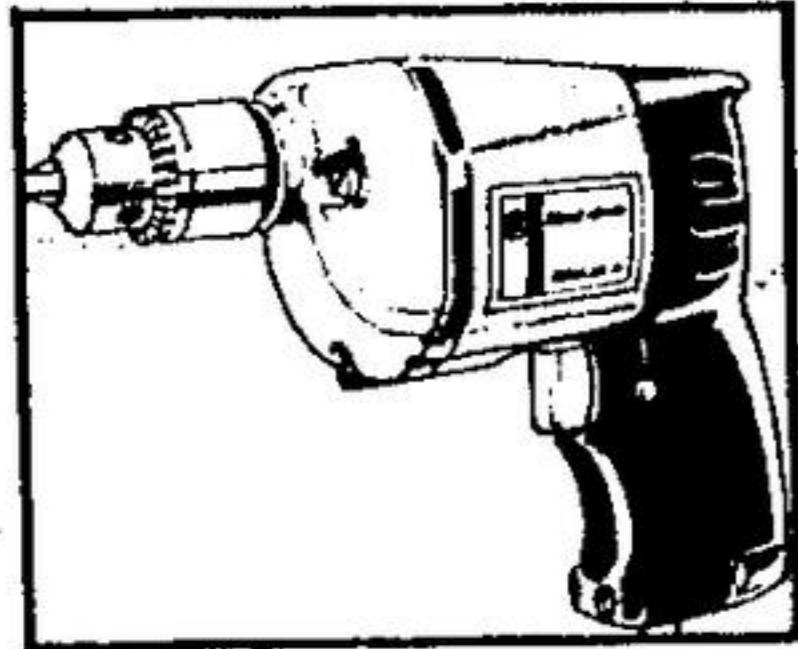


1/2" Reversing Drill

Double reduction gearing, powerful 4.2 amp motor. Top-mounted auxiliary side handle. #7250

Save 6⁰¹
reg. 39.95

33⁹⁴

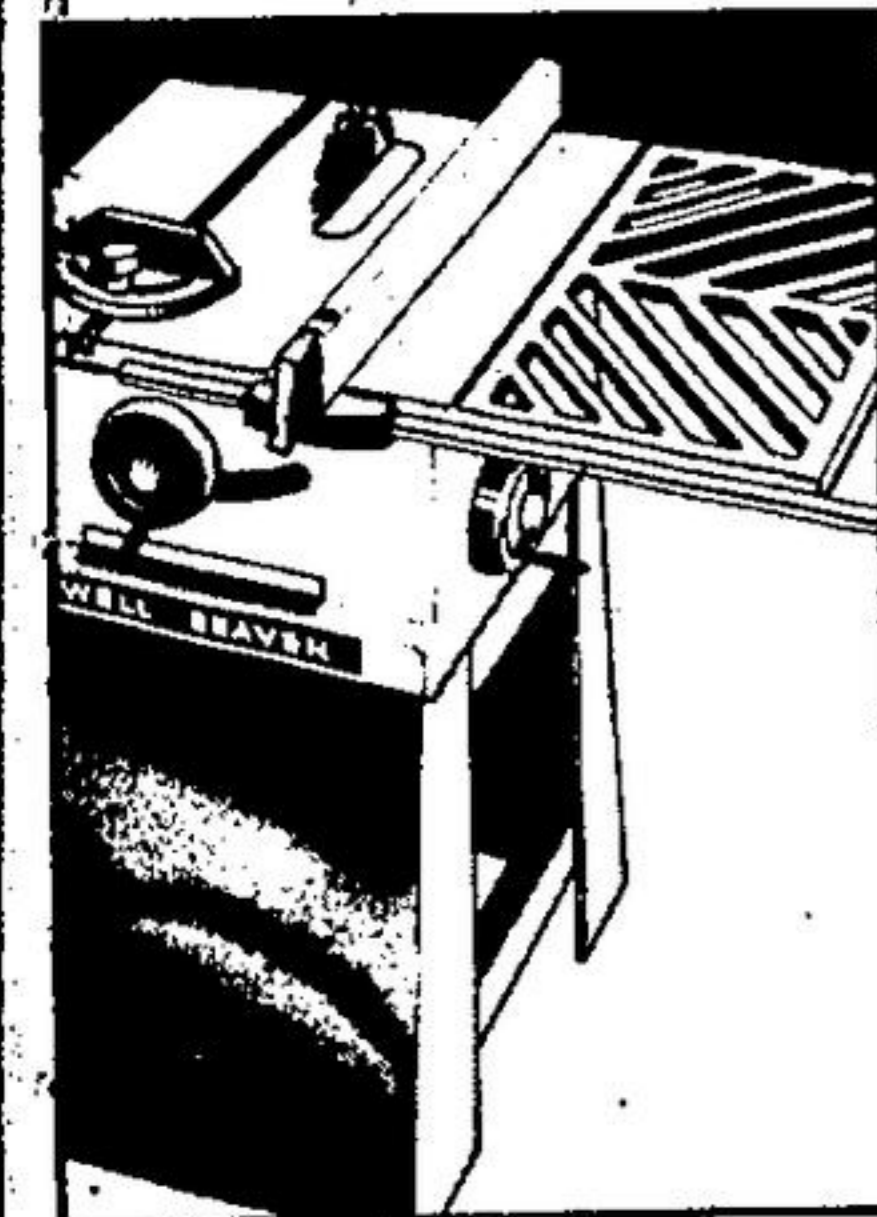


B & D 3/8" Variable Speed Reversing Drill

Use as drill or screwdriver. Reverse switch for backing up. Double reduction gears. 2.4 amps. #7140

Save 7⁰⁸
reg. 29.95

22⁸⁷



9" Tilting Arbor Table Saw

Big 22" x 38" table with extension on its own stand. Cuts stock up to 2 3/4" thick at 90°; 1 7/8" at 45°. Up-front rip fence & blade control. #6201B (Stand not exactly as illustrated.)

Save 33⁹⁵

166⁰⁰
reg. 199.95

B & D Jig Saw Save 12⁹⁶

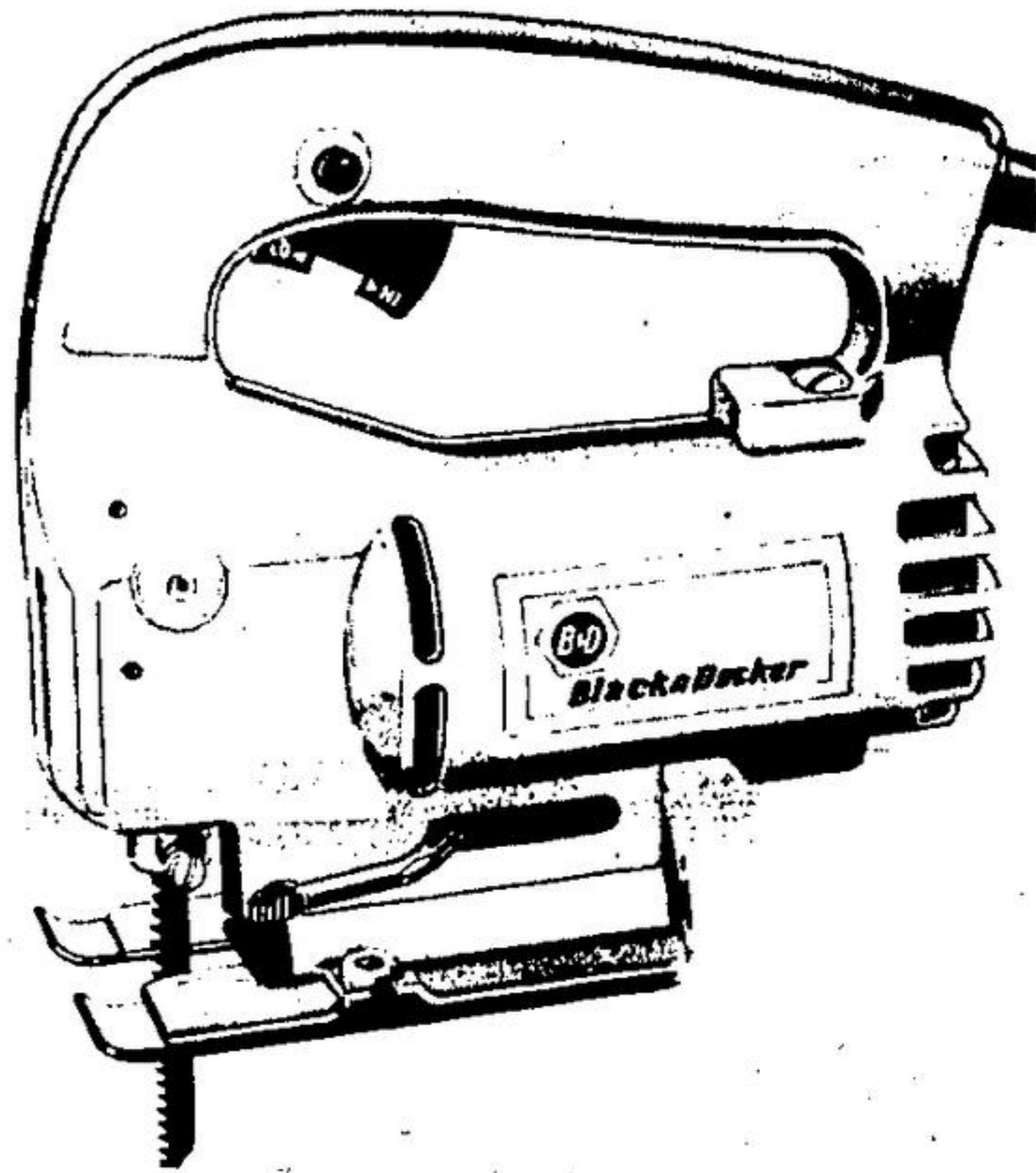
Variable speed. 0-3000 rpm. Locks on to any selected speed. Tiltting shoe with quick-clamp. Cutting capacity 2 1/2" wood, 3/4" aluminum, 1/4" steel. Stroke length: 3/8". Bearings: 2 roller, 3 needle, 1 sleeve. #5810.

B & D Reversible 3/8" Scru-Drill Save 7⁹⁶

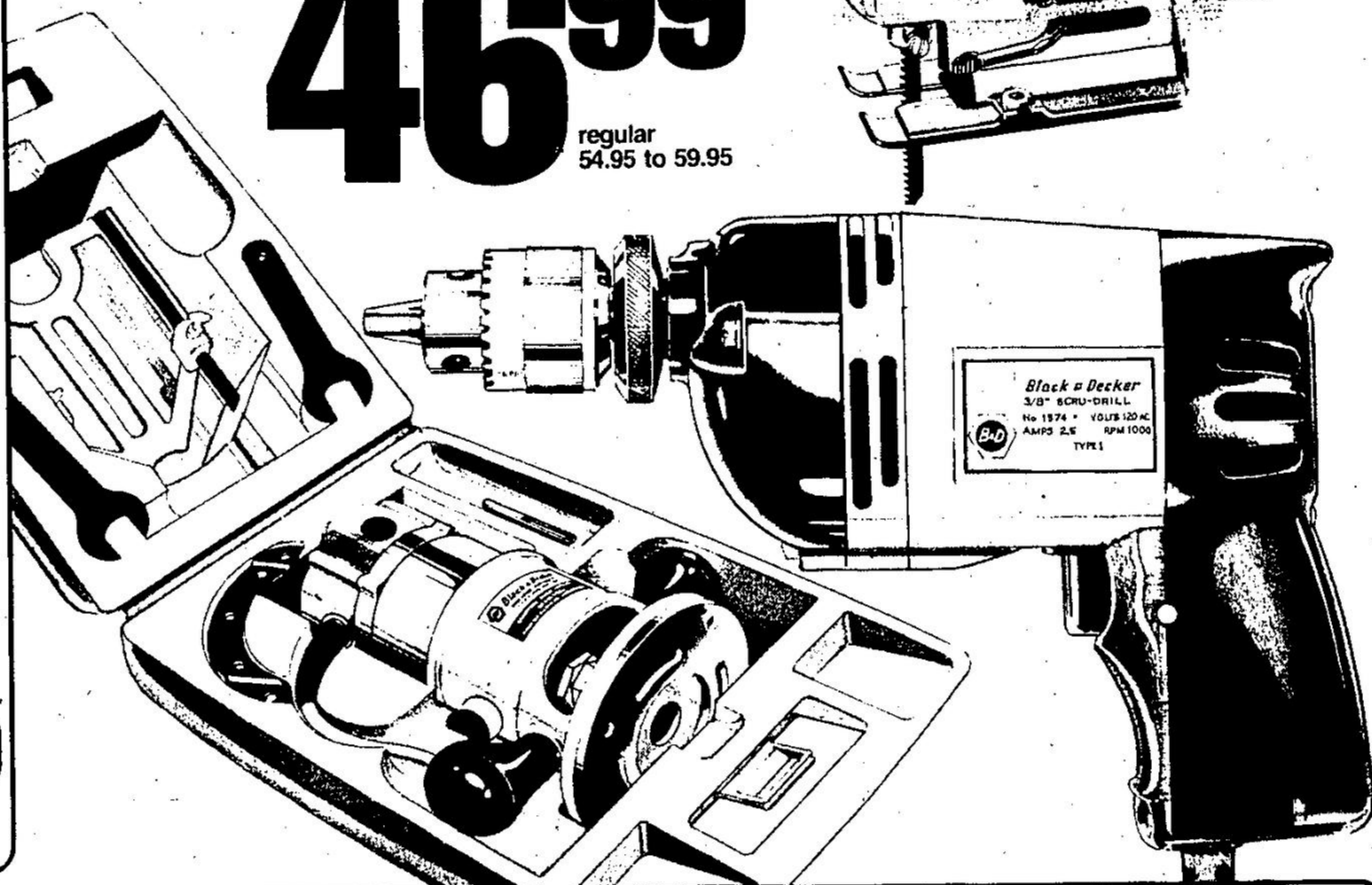
Professional drill converts to screwdriver. Just turn the collar. Reversing switch for removing screws and nuts. Comfortably balanced. 2.5 amps. 1000 rpm.

B & D 3/4 H.P. Router Kit Save 7⁹⁶

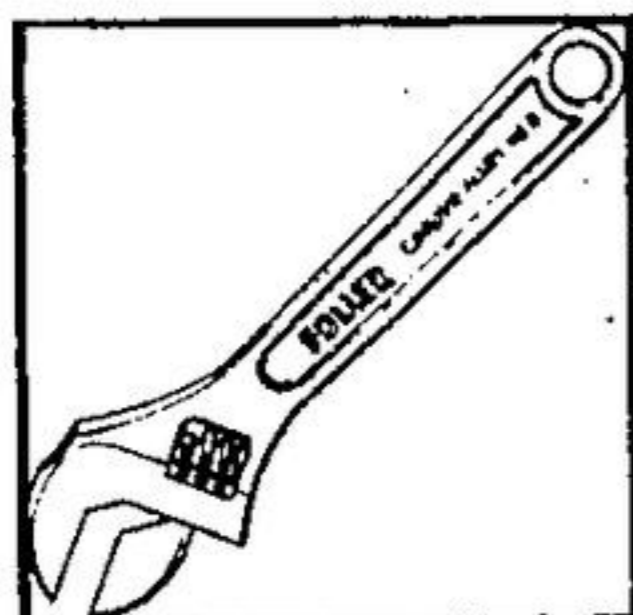
3/4 H.P. motor. Burnout protected. 22,000 rpm. Routs, trims, decorates. Depth adjustment in 64ths. Incl: router, 2 wrenches, 2 guides, 1/4" high speed bit, case. #7611



46⁹⁹
regular 54.95 to 59.95



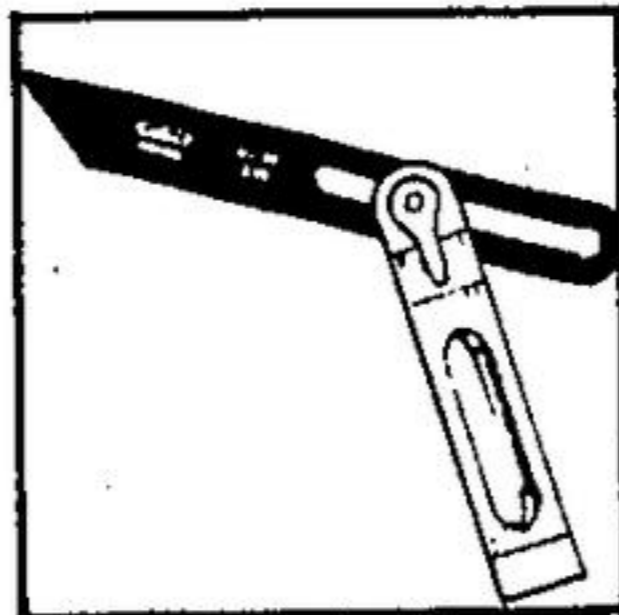
SPECIALS CHOICE 99



10" Adjustable Wrench Save 2.96

A necessity for the home handyman. 10" adjustable wrench is fully drop-forged and chrome plated. Compare at this low Beaver price!

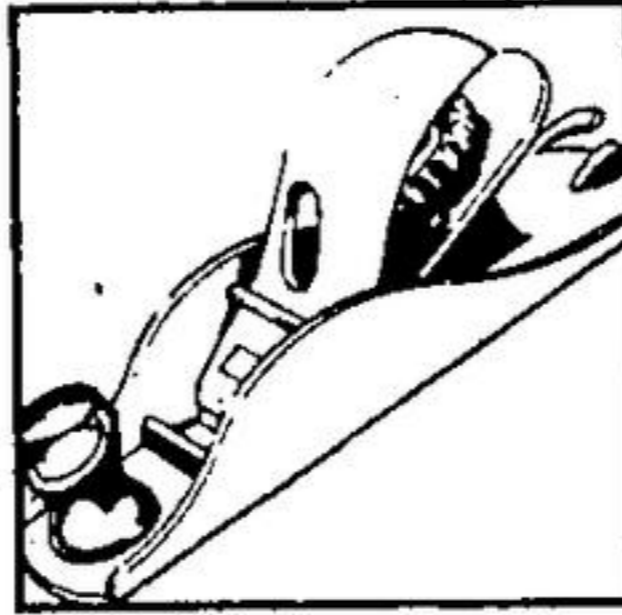
Reg. 6.95 only 3.99



8" Stanley Bevel Save 2.06

Hardwood handle with easy-to-use grip. Brass tips and locking device. Black finish on blade. A real buy for your home workshop

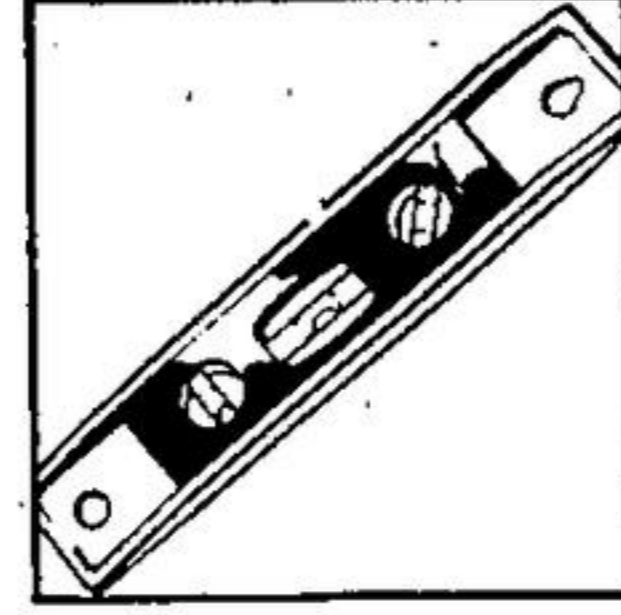
Reg. 6.05 only 3.99



Block Plane Save 2.00

Ideal for small woodworking projects. Hardwood knob. Tempered steel cutter. Bottom and sides milled and ground smooth for accuracy.

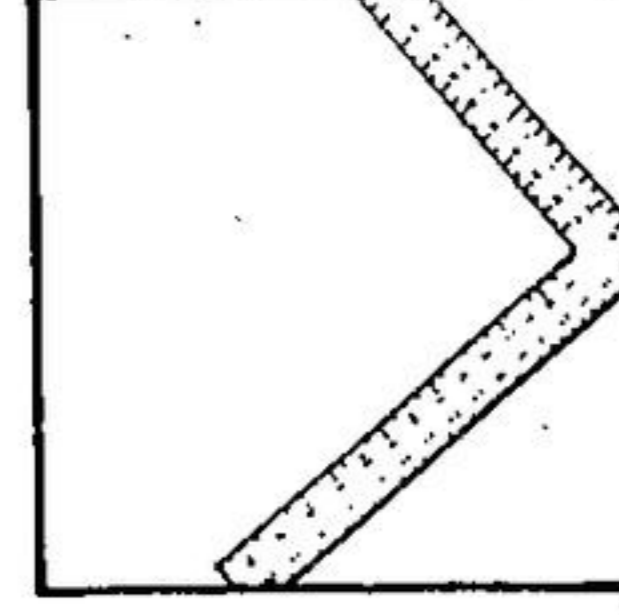
Reg. 5.99 only 3.99



Stanley Torpedo Level Save 1.90

9" level with cast aluminum body. Three 360° vials. Moulded plastic vial cover plates allow quick vial replacement on-the-job.

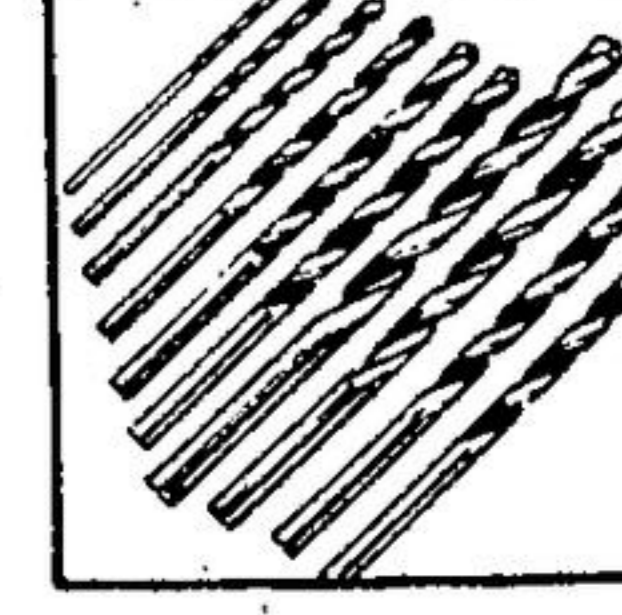
Reg. 5.89 only 3.99



Stanley Flat Square Save 2.50

Graduated in 8ths of an inch. Coppered, lacquered finish. 24" x 2" body. 16" x 1 1/2" tongue. No workshop should be without one.

Reg. 6.49 only 3.99



10-Pc. Steel Drill Set Save 96¢

Ten high-speed steel drill bits. Coppered, lacquered finish. Precision ground for fast cutting. In sizes from 1/16" to 1/4". Comes in a handy plastic case.

Reg. 4.95 only 3.99

BEAVER

OPEN 9 a.m. to 9 p.m. Monday to Friday
Saturday 8:30 a.m. to 6 p.m.

316 Guelph Street E., Georgetown 877-2234