

Birds Congregate Where Feeding Stations Placed

It has been demonstrated that the total bird population in a given area can be raised far above normal by supplying feeders. Many varied species of birds can be attracted.

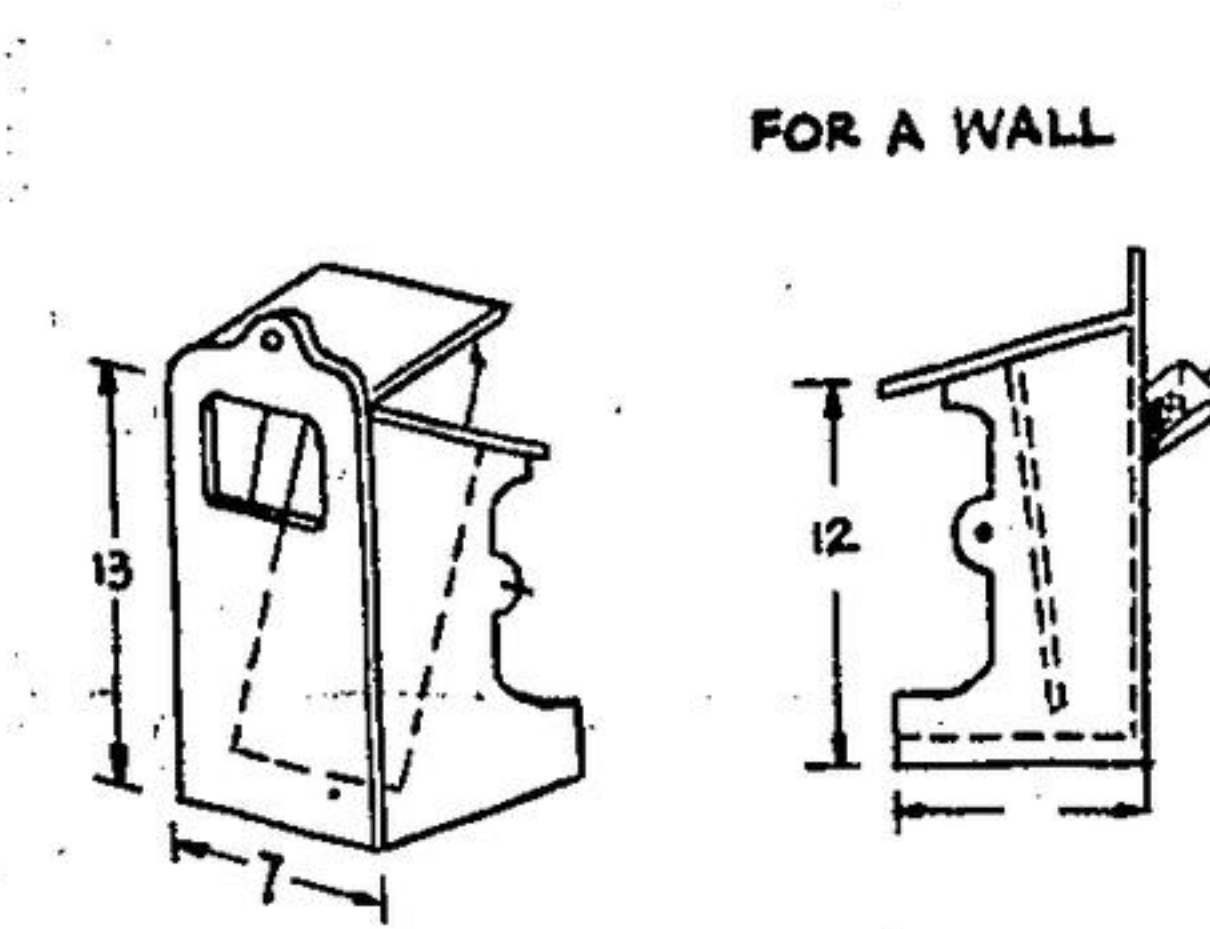
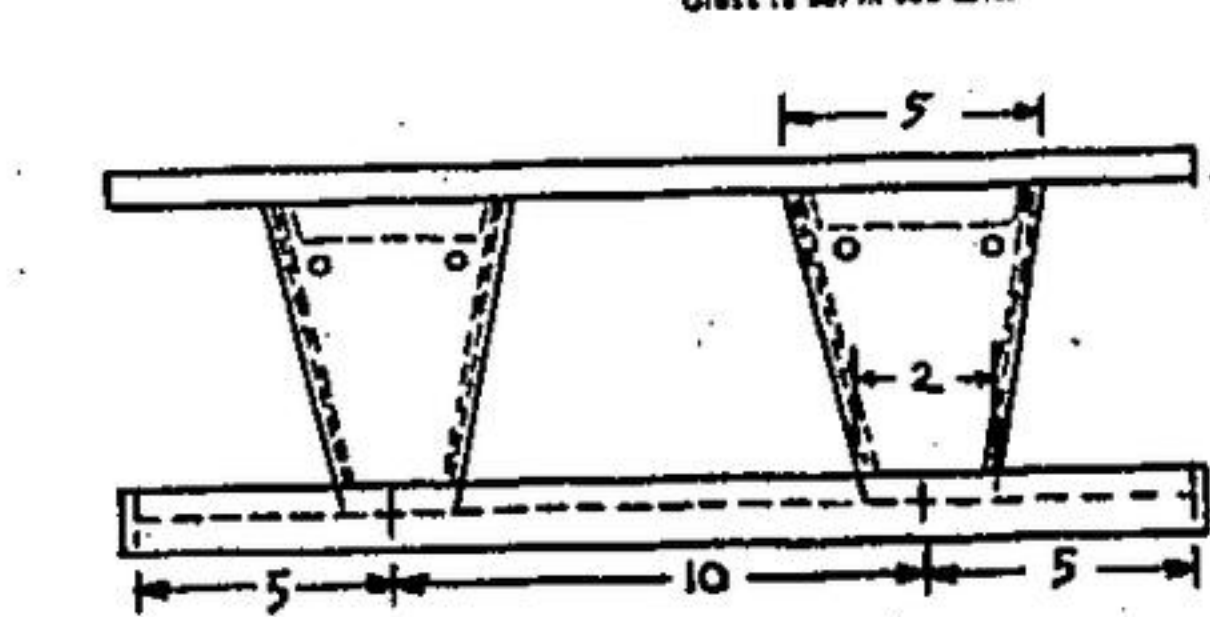
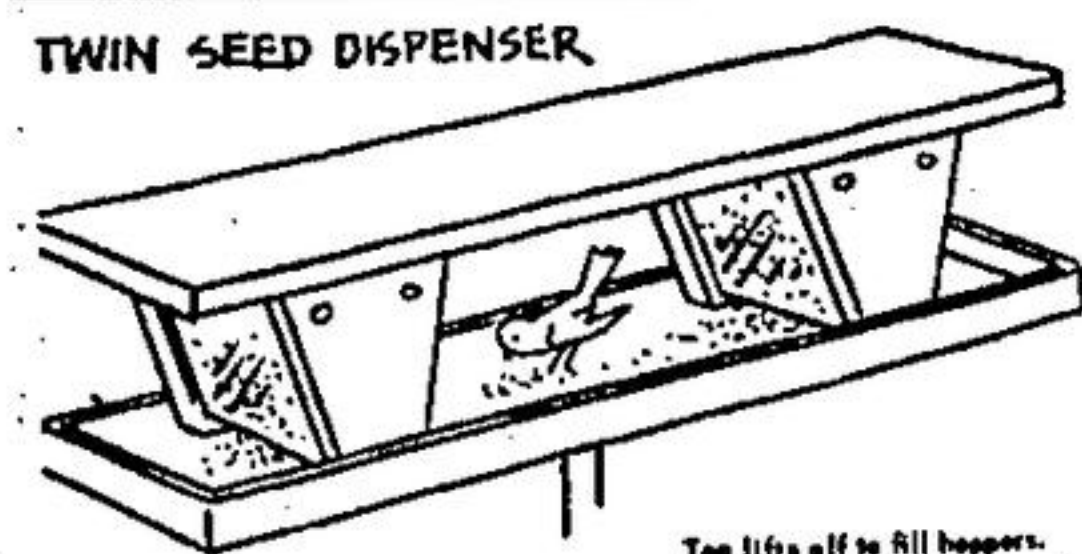
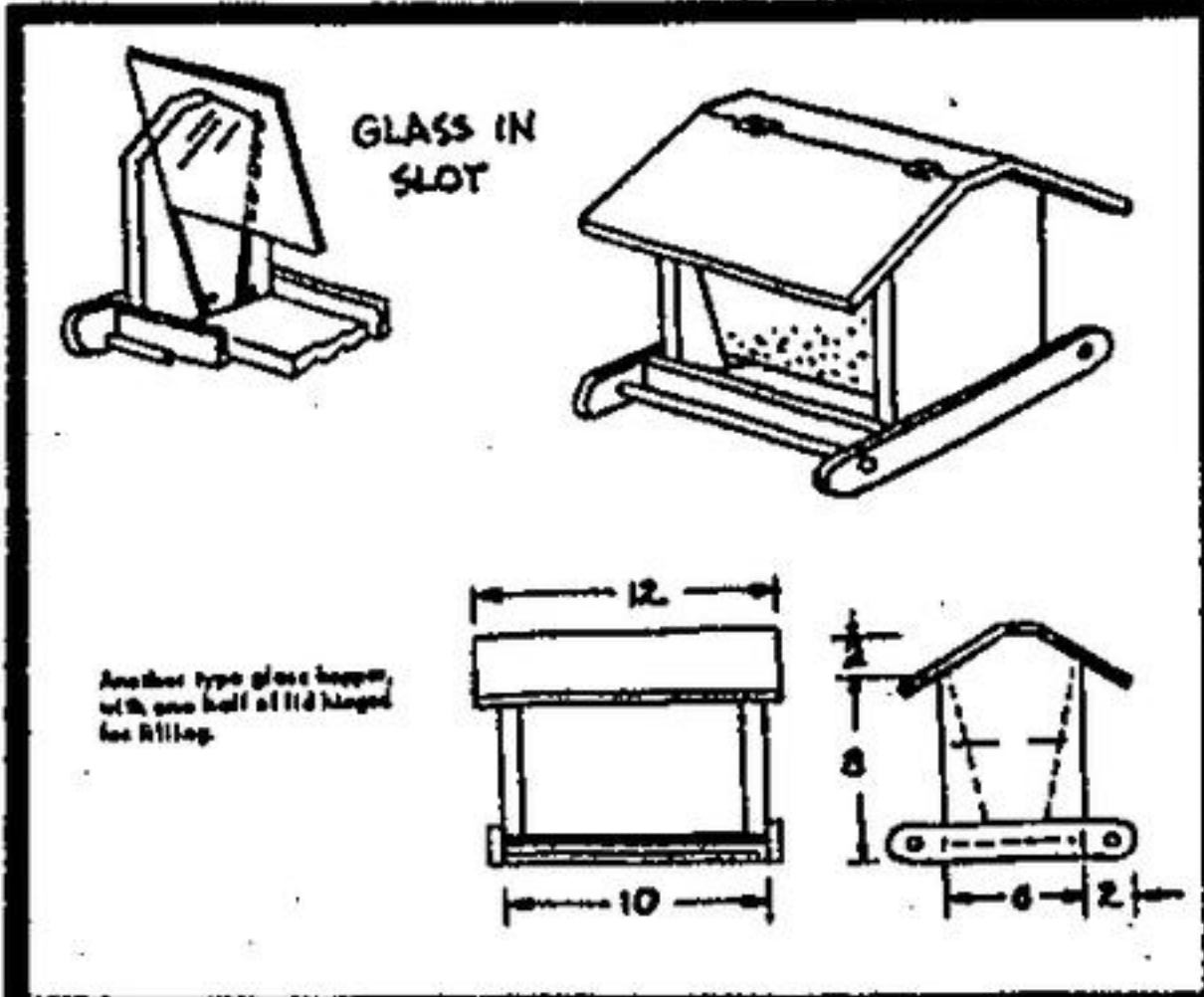
Materials well suited for use in building bird feeders are 1/4, 3/8, and 1/2 inch outdoor plywood; 1/2 and 3/4 inch solid cypress, redwood, red cedar, white pine and yellow poplar. Wood of 1/4, 3/8, and 1/2 inches

in thickness are generally used for end, side and roof pieces; 1/2 and 3/4 inch materials are commonly used for the floors.

In building hopper type feeders there should be 1/4 inch clearance between the bottom of the hopper and the floor. When using glass panes it is a good idea to make saw cuts to take the glass, and to place a braid about 1/4 inch from the bottom of the saw cut to serve as a stop.

Paint is not objectionable to birds if in soft tones of brown, gray and dull green.

Roofs should be made with sufficient pitch to provide good drainage. If the design requires that the roof be nearly level, a groove should be cut across the overhang on the underside to prevent water from draining back into the interior of the house. The overhang should be a minimum of two inches.



OHS Knows What Hungry Birds Like on the Menu

Children and adults alike may enjoy the company of beautiful Canadian wild birds this winter, if feeding stations are put together right away. The Ontario Humane Society has a vast number of plans available for feeding stations. There are even recipes on file explaining the types of food certain birds prefer. Window feeders laced with prepared wild bird feed will attract black capped chickadees, blue jays, white breasted nuthatches, cardinals and purple finches. If a bit of suet is added to the seed, it will attract downy woodpeckers.

Birds are not always tidy. The seeds they drop are food for the ground feeders - the slate-colored juncos, the tree sparrows, the mourning doves and the pheasants. The Society suggests building more than one feeding station for your birds, since larger birds are apt to take over one. It is necessary to take precautions against squirrels. They like the seeds as well as the birds, and can empty a feeder in minutes. That doesn't mean one should neglect the squirrels. They like the seeds as well as the birds, and can empty a feeder in minutes. That doesn't mean one should

neglect the squirrels. A good suggested mixture for wild bird seed includes: millet, cracked corn, sunflower seeds, cracked peanuts and grain. Add suet for the woodpeckers and nuthatches. Birds are attracted to "Bird pudding" - which is a mixture of seed and suet poured over a can, allowed to harden, and hung from a tree. Any branch of the Ontario Humane Society will gladly supply plans for feeders along with ideas for feed. Georgetown Public Library also has a number of books containing plans for feeders.

Roads Committee Urges It May Ban Snowmobiles From Main County Roads

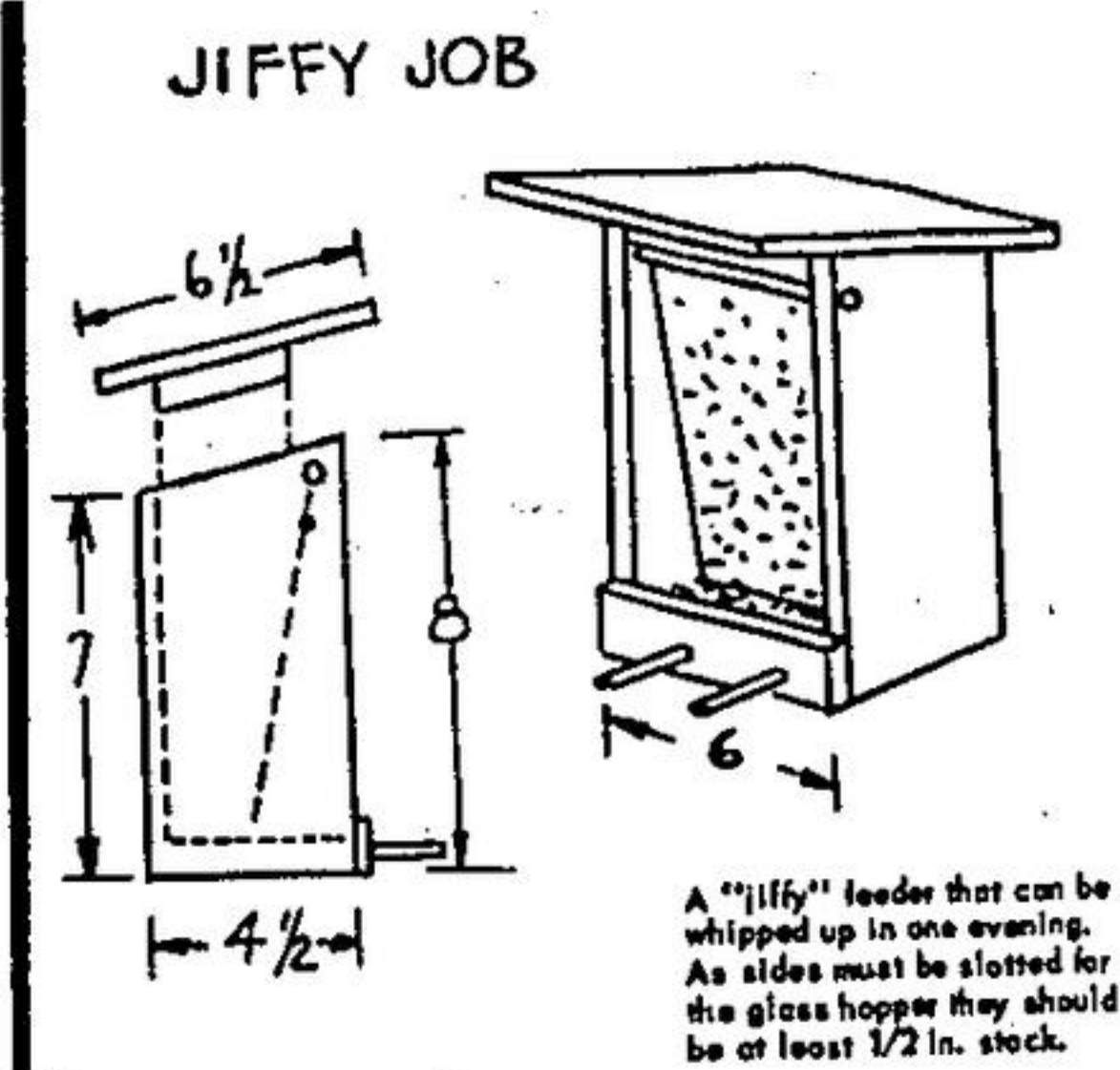
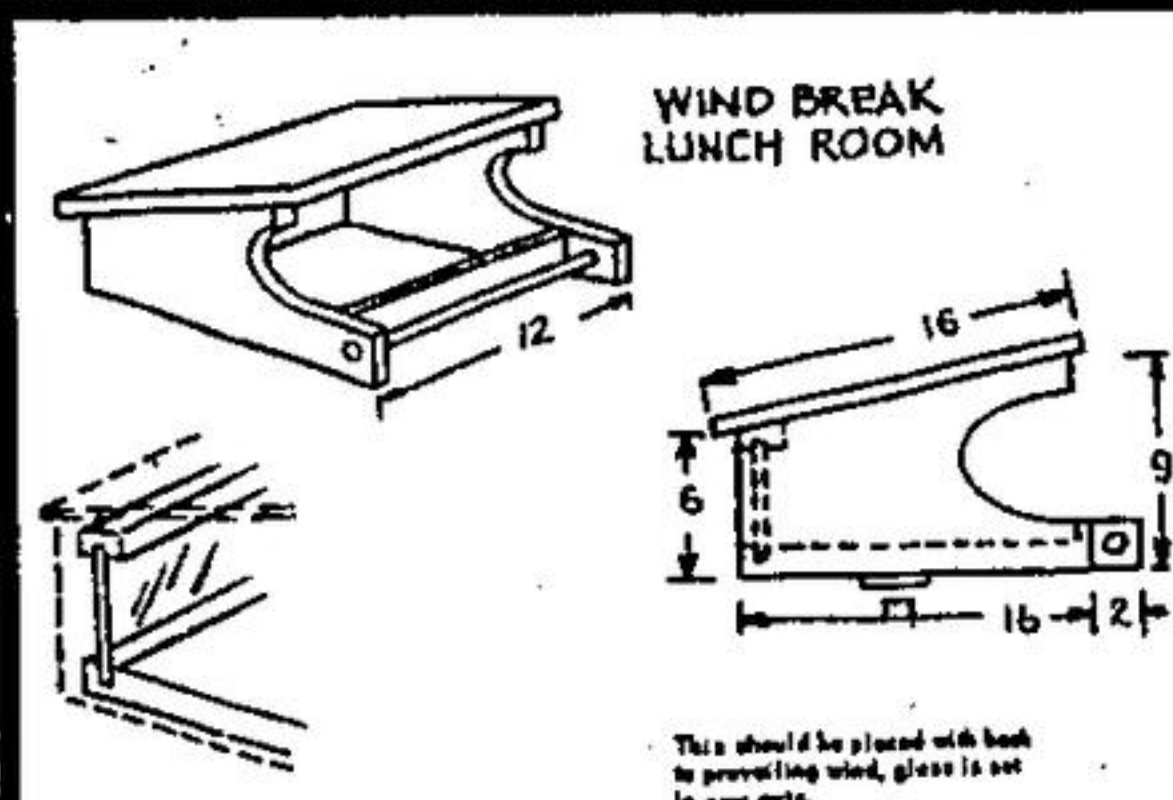
As controversy rages around snowmobiles and their operators, the roads committee of Halton County council has recommended banning the vehicles from major county roads. Initially the county had planned to ban them from all roads under county control. County council is expected to give the bylaw all three readings at its regular business session late this month. After approval by the provincial department of transportation and communications, it will take effect. The bylaw prohibits the vehicles on the travelled portion of any county road and names major roads where the vehicles will not be allowed on the shoulders or right-of-way either.

Snowmobiles will only be allowed to cross these roads. The bylaw will be enforced by municipal and provincial police forces. The proposed bylaw exempts county roads in downtown Milton and Georgetown from the county bylaw and leaves them under local control. The bylaw passed in committee with three of the five members present voting in favor. Warden Frank Oakes, the Acton reeve, said he was voting against it because he did not feel it was necessary. Snowmobiles are banned on all provincial highways by provincial statutes which would keep the vehicles off Bronte Road (Highway 25) north of the QEW.

NORTH HALTON O.P.P. REPORT

During the week ending January 11 officers of the Ontario Provincial Police stationed at North Halton Detachment worked a total of 7594 hours and patrolled 7,628 miles on area roads. Sixteen drivers were summoned to appear in Provincial Court for traffic violations and an additional 32 drivers received warnings. Proceedings in Provincial Court

Milton resulted in 10 convictions. Officers were required to investigate 34 general occurrences during the reporting period. This number included: 1 theft; 1 complaint of damage to property; 1 premise found in breach of officers on patrol and 5 persons charged for violating the Liquor Control Act. The remaining occurrences were minor in nature.



Canada Trust
Realtor
16 CHARLES STREET
GEORGETOWN
877-9500

A NEW YEAR'S DREAM HOME—Credit Valley View. Beautiful new blonde brick bungalow just being completed, incorporating modern-day requirements of better homes. Large dining room; combination kitchen and family room; living room overlooking valley and lawn with most attractive trees; 2 baths; built-in 2-car garage. All located on large country lot, just yards from main paved road. Early possession can be arranged. Priced \$43,000.

USE OUR NEW BRIDGE FINANCING PLAN TO BUY THESE HOMES NOW

Finding the down payment for that new home before you sell your old one can be a headache. We have the cure. It's called "BRIDGE FINANCING". If you buy your home through us, we'll grant you an interest-free loan of up to \$35,000 for 3 months, depending on the equity in your present home.

RETIREMENT BUNGALOW
A REAL GEM—IN MOST DESIRABLE LOCATION
Close to downtown, 75 ft x 200 ft beautiful tree lot. A dream two bedroom bungalow with a huge heated sun room. Carpeting throughout. Fireplace, separate garage. Asking \$29,900. M.L.S.

INVESTMENT LOCATION—1 1/2 storey, solid brick, 7-roomed home. Features centre entrance hall and large rooms; 2 baths, broadloom in bedrooms, plus other extras. Good care is evident throughout. Convenient to downtown main intersection. Situated on one of the larger lots. Price \$29,900.

SCENIC CHELTENHAM
Is the setting for this Colonial Style home. Features include: 4 bedrooms (large master suite with private bath and balcony) den or guest room, separate living room and dining room, combination kitchen, family room, patio off living and dining room for full enjoyment of the surrounding country-side. 30 day possession time. Asking \$43,000.

PRECIOUS ESCARPMENT LAND
8 1/2 acres of scenic building site with stream on the Niagara Escarpment, surveyed, separated, building permit available. Asking \$25,000.

SCENIC FARM
70 acres with the Credit River along one boundary. Spring fed stream along another boundary. Five room bungalow and very good barn. Just off No. 7 Hwy. Asking \$75,000, with \$20,000 down.

COUNTRY HOME SITE
One acre building lot just off Steeles Avenue on paved road. Asking \$10,500.

COMMERCIAL - INDUSTRIAL
WAREHOUSE SPACE FOR RENT—2,700 sq. ft. Drive-in entrance for truck. Central Georgetown location. This building is suitable for various business possibilities. Reasonable rent.

VILLAGE VARIETY STORE & RESIDENCE—Ideal for retiring couple or family who is interested in fortifying their income. Located in village in thriving farm area. Convenient to main highway and metro area. Asking only \$29,500, plus small stock. Further details on file.

INDUSTRIAL
10,000 sq. ft. Industrial building on one acre lot. Block and steel construction. 65 ft. clear span 14 ft. under steel sprinklered dock loading. Good labor pool. Asking \$50,000.

COUNTRY LOTS
North Esq. Twp. — 125' x 238' \$0,000
Erin Twp. — 104' x 383' \$8,500
West Chng. Twp. — 3 acres \$27,000
South Esq. Twp. — 125' x 330' \$10,000.

FARMS LOTS ACREAGES

GAR LACEY 877-9500

MLS MULTIPLE LISTING SERVICE

NORM SINCLAIR 877-6050

SERVICES

UPHOLSTERED furniture, recovered and repaired. Quality workmanship — T. H. Briggs, Stewarttown, 877-9312

J. A. SHIPWAY, certified master watchmaker, watch repairs, 10th Line Glen Williams — 877-4483

DECORATING to express individuality. Artistic interior and exterior — Craftsman in the trade — C. A. Grant, R.R. 3 Georgetown — 877-3781

THE DEPT. OF LABOUR Protects YOU by issuing Certificates of Qualifications to competent & experienced TV Service Technicians. Call 877-9796

RYDER'S TV
SALES & SERVICE
49 Main St. North

PAINTING
Interior - Exterior
HARRY BRANDFORD
877-3287
after 6 p.m.

Home Maintenance And Repairs.
CARPENTRY—PAINTING
FOR FREE ESTIMATE
—Call—

THE HOUSE DOCTOR
BOB HUISING
877-4252

ELECTROLUX
(Canada) Ltd.
Authorized dealer
MIKE KUCHMASH
Vacuum Cleaners
Floor conditioners
For sales & service & free home demonstration call 877-5903

WINTER IS HERE
Complete snowmobile service
Pioneer chain saws, sales and service
Jim's Sales and Service Centre
Corner 2nd Line West and No. 7 Hwy.—871-6571

FRED
"The Carpenter"
Custom Trim for your new Home, Rec Rooms, Arborite Counters, Ceramic Tile, Additions & Alterations
Phone 877-6746
Fred Giray

ANN'S CARTAGE
—and—
PIANO MOVERS
FULLY INSURED
WILL DISMANTLE
'We Move Everything'
877-6183

ALFRED R. SPENCE
AUCTIONEER
— Fully Licensed —
Residential — Agricultural
Industrial
R. R. 5, Georgetown

CARPET CLEANING
CARPET CLINIC
Professional Carpet and Upholstery Cleaning in your home or in our modern plant. Free Pick-up and delivery.
CARPET CLINIC
459-4140

CARPET SALES AND SERVICE
Broadloom, Estimates
Carpet installations
Insurance Repairs
Sheet Vinyl Flooring
Ceramic-Mosaic
Vinyl-Asbestos-Tile

Hunter Enterprises
Carpet & Tile Ltd.
33 Armstrong Ave.
Georgetown
Phone 877-8901
8 a.m. - 10 p.m.

CARNEY ELECTRIC
Industrial — Commercial
Residential Contractors
NORVAL
Charles Carney: 877-9711

T. S. ELECTRIC
Commercial —
Domestic Wiring
Industrial Maintenance
TERRY PEER: 877-2413
CHARGEK

Robertson Electric
Industrial — Commercial
and Residential
PHONE: 877-2924
Georgetown

Brian's Electrical Services
repairs, ranges, dryers, etc.
Domestic wiring & alterations.
Complete installations
B. E. Tyrrell
877-9775 877-1110 459-3611

H. B. Plumbing & Heating
R.R. 2
Georgetown, Ont.
877-2641

(DAVE) WILLIAMS
Electric & Heating Ltd.
R.R. 1 — Georgetown
Registered Bonded Master
ELECTRICIAN
Electric, Heating and
Water Heaters
877-3322
1/2 Mile North on 8th Line

RAY LENZ
ELECTRICAL
CONTRACTOR
Quality Residential and
Commercial Wiring
— CALL —
877-3414 at noon hours
and after 5 p.m.

Nothing's Better than Professional RUG CLEANING!
BROADLOOM RUG & FURNITURE CLEANING

GEORGETOWN CLEANING SERVICE
PHONE: 877-4406
Division of Georgetown Upholstery Co.

Shamrock Studios
Child Studies—Weddings
Passports—Photo Finishing
49 REXWAY DRIVE
Residence 877-3978

JENNING'S EXCAVATING
Farm Ponds Loading
Bulldozing Filling
Gravel Topsoil

ED Mc MULLEN CONTRACTOR
Cement Floors Sidewalks
Stoops Chimneys
Plastering Repairs
Stucco Work Fireplaces
Acton — 833-1818

DUSTLESS SANDING AND FINISHING
Hardwood Floors
SID GALLIFORD & SONS
Ltd., - Limehouse - Est. 1920
Dial Operator, ask for
ZE3-3970 (no toll charge)

Chris A. Schouten
AUCTIONEER
Sales of all Types
conducted anywhere
878-2576
R.R. 3, — Milton

TV-RADIO-HI-FI SERVICE
EXPERT SERVICE ON ALL MAKES COLOR TV

Our workmanship is tops and our charges modest. We have up-to-the-minute knowledge, the latest equipment and top quality replacement parts to service your set.
WIGO TV & Appliances
32 MAIN ST. N.
877-3276

RUSS DICKSON
Sheet Metal Work &
Heating
Roofing — Eavesdropping
Aluminum Siding
877-7455
We are in the Yellow Pages

R. BEENEY
PLUMBING—HEATING
TINSMITHING
877-9242
R. R. 1 Georgetown

Air Conditioning Plumbing & Heating
Industrial — Residential
and Commercial

BILL GARBUTT
Plumbing & Heating Ltd.
16 Elgin St. 877-3638

Gourlay Plumbing
Repairs—Alterations
Renovations—Maintenance
FREE ESTIMATES
Georgetown — 877-5874

Halton Welding
Maintenance and Repair
Government certified for
pressure piping
Hitches installed
877-4266

Georgetown Welder Rad Repair
UNDER NEW MANAGEMENT
— WE RENT —
Roto Tillers — Lawn Mowers
Chain Saws

RADIATORS REPAIRED & CLEANED
PEEL RADIATOR SERVICE
126 Nelson St. West,
Brampton (rear of Dixie
Cup) Phone 451-7177

ADAMS PHOTOGRAPHY
WEDDINGS
GENERAL
PHOTOGRAPHY
FAST PASSPORT PHOTO
SERVICE
40 Prince Charles Drive
Georgetown — 877-3923
Active Member Profession
al Photographers of Ont.,

BABY FACE UNLTD.
Chuck Abrams Photography
In your home • B.K.W.I or Color
Low, reasonable prices
Portraits & Weddings
877-8153

ENGRAVING
Makes your gifts more
gracious and personal.
Also trophies engraved.
Expert Service

GEORGETOWN CYCLE & SPORTS
2 Water Street — 877-3630

TELEPHONE ANSWERING SERVICE
'Around the Clock'
JUST CALL US,
WE DO THE REST
877-6973
RITE-WAY
AUTO BODY
345 GUELPH ST.
877-8685
Complete Bumper to
Bumper Body repair and
painting.
FREE ESTIMATES