

Strawberry Fields Sidewalk Sale July 8-11

SINGER



STONE ROAD MALL STORE ONLY

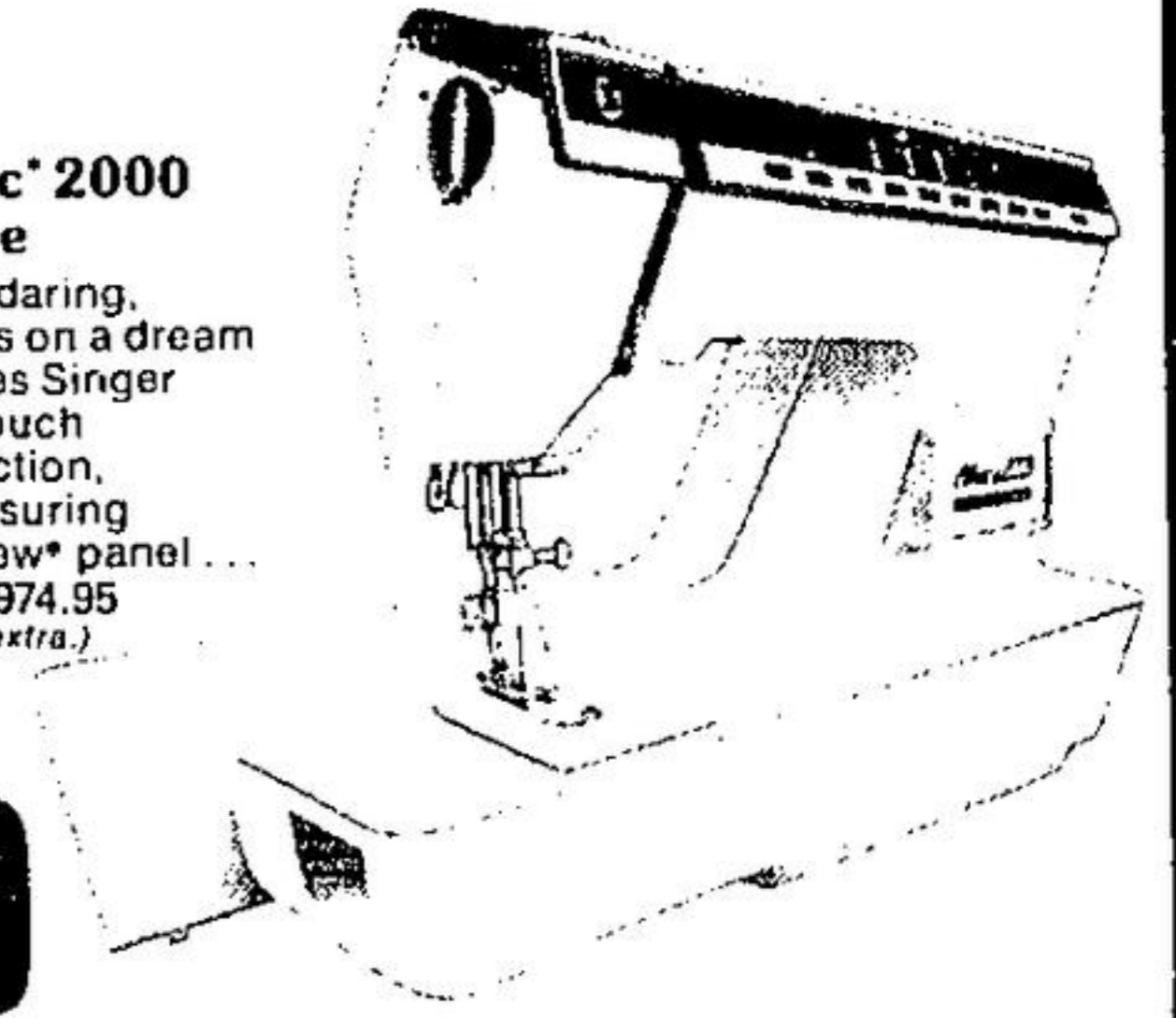
SIDEWALK CLEARANCE

**4 DAYS ONLY
JULY 2-5**

FREE WHEN YOU BUY A SEWING MACHINE AT SINGER — STONE ROAD MALL
YOU GET SEWING LESSONS TAUGHT BY PROFESSIONAL
INSTRUCTORS, RIGHT AT OUR STORE — AT YOUR CONVENIENCE

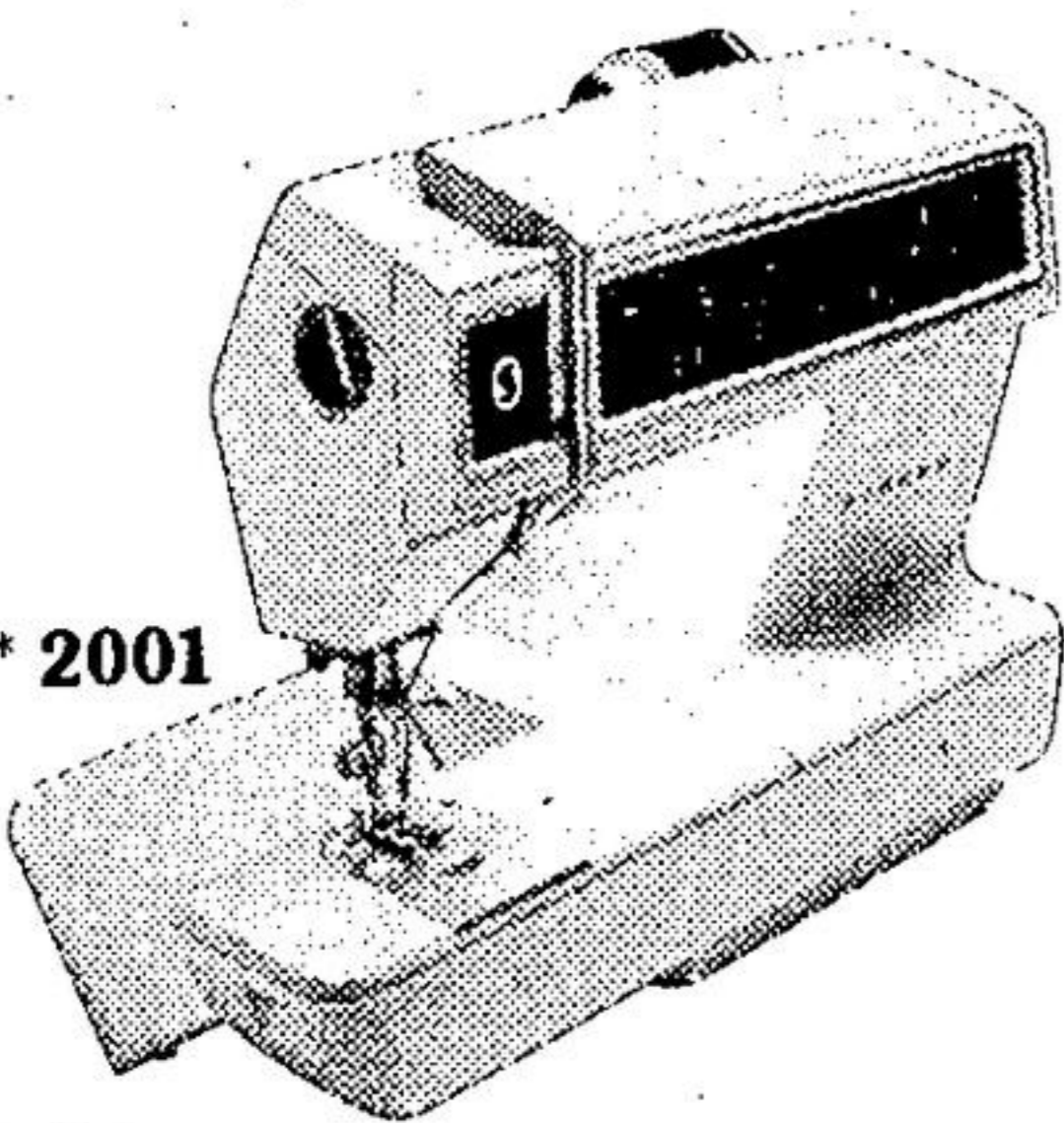
The Touch-Tronic® 2000 memory machine

Right this way... for daring, death-defying savings on a dream of a machine! Features Singer exclusives like one-touch electronic stitch selection, one-step button-measuring buttonholer, Flip & Sew® panel... and more! Sale price \$974.95 (Carrying case or cabinet extra.)



SAVE
\$100

The Touch-Tronic® 2001 memory machine



Only Singer makes the extraordinary Touch-Tronic 2001 with Singer exclusive Touch-Tronic memory panel; 27 pre-programmed stitch patterns; unique one-step buttonholer, Flip & Sew® panel and much more! Side-walk priced at \$1099.95.

SAVE
\$200

A STRAWBERRY SWEET DEAL

Now **\$199** with cabinet plus trade

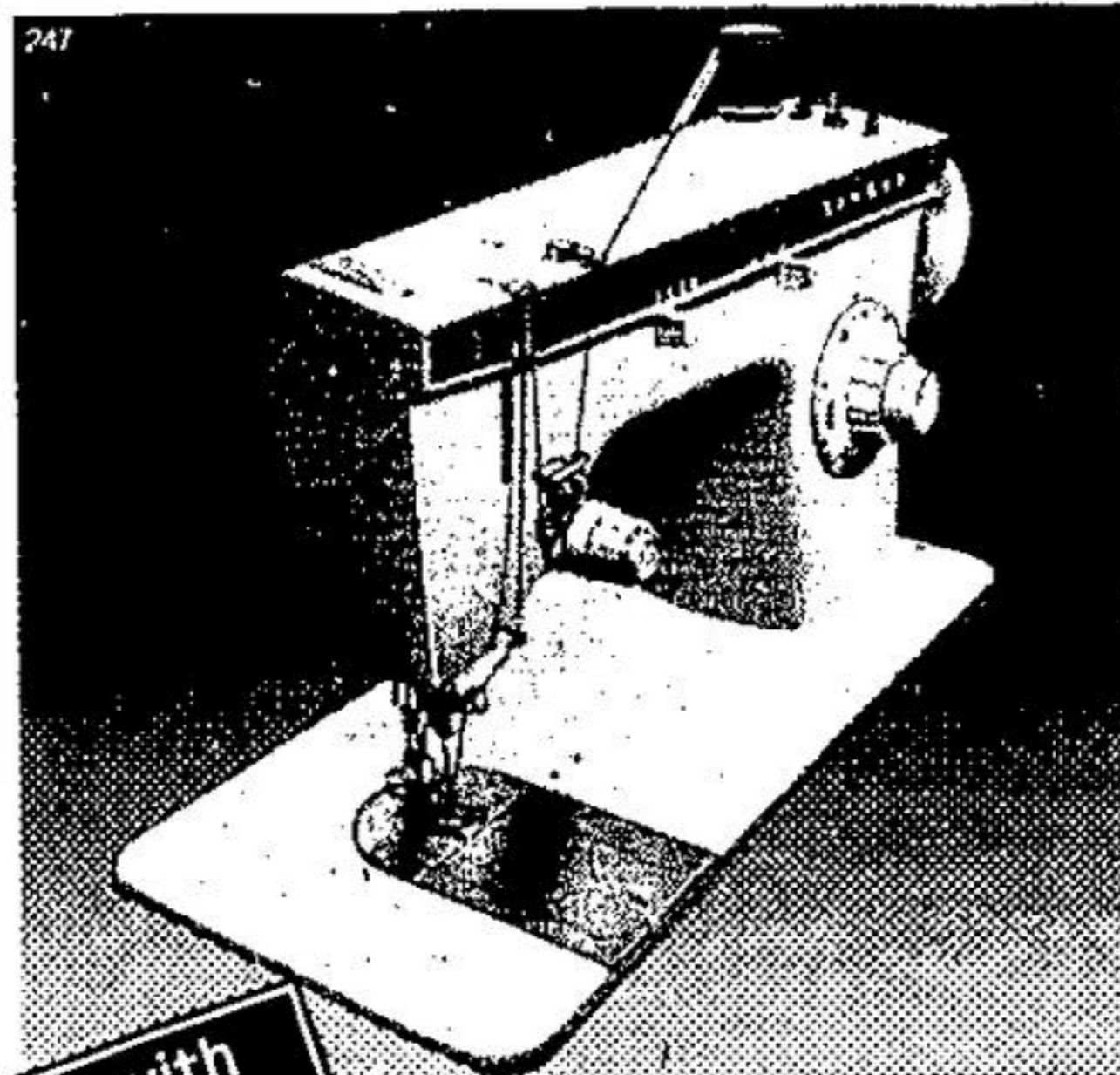
A super price on our Fashion Mate® machine and Sherbrooke cabinet comb!

Our Zig-Zag Fashion Mate does it all with:

Our zig-zag stitching that lets you sew stretch fabrics; do overedging, buttonholing and mending.

Our push-button reverse control makes reverse sewing fast and convenient.

Our front drop-in bobbin that's easy to see; easy to replace.



machine with cabinet

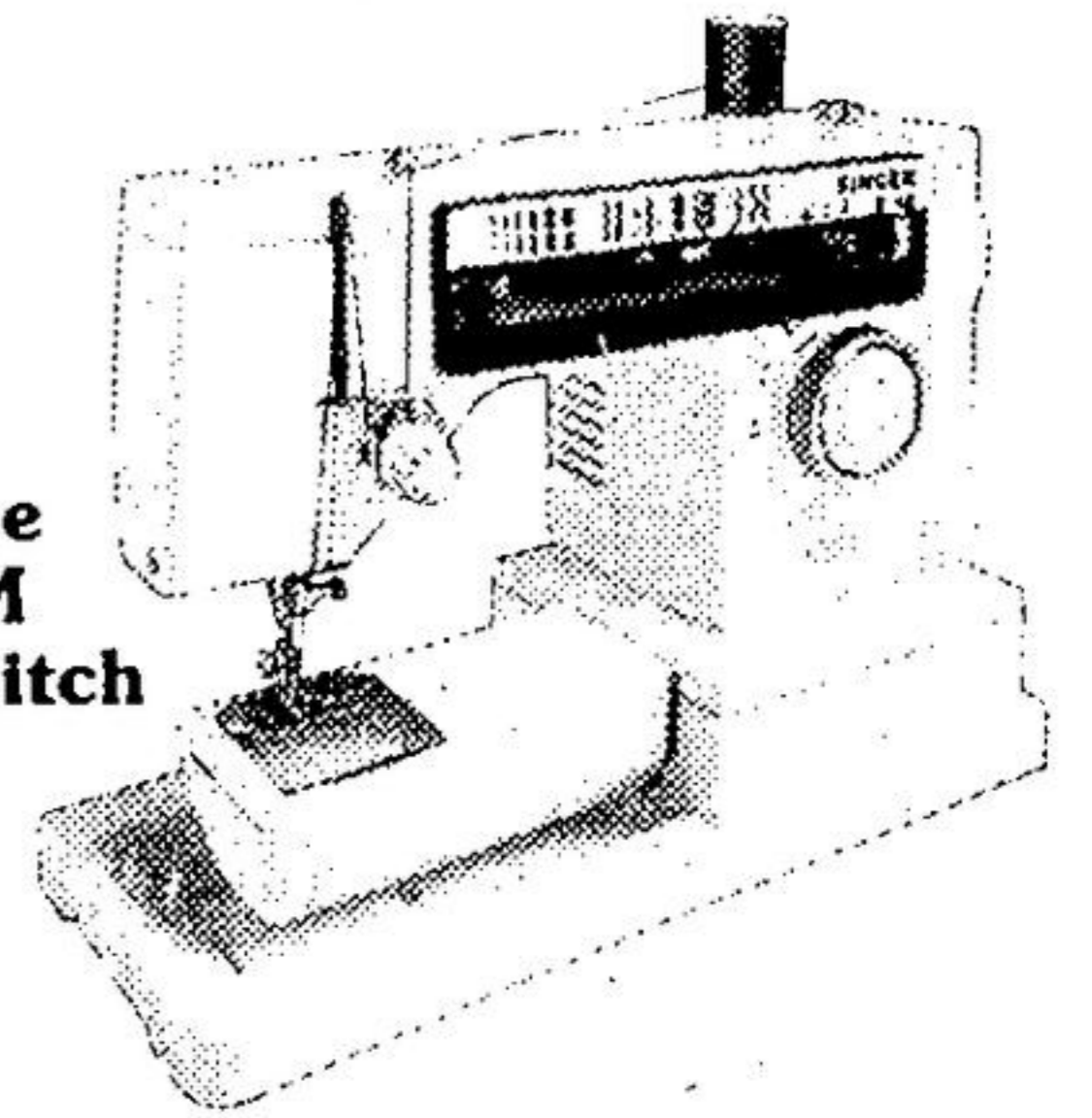
Teamed-up with our sleek, smart, space-saving Sherbrooke Cabinet



Our great tradition of a trade-in allowance applies to any make or model sewing machine, regardless of age.

Our good name is your best guarantee.

The Deluxe FREE ARM Stretch Stitch machine



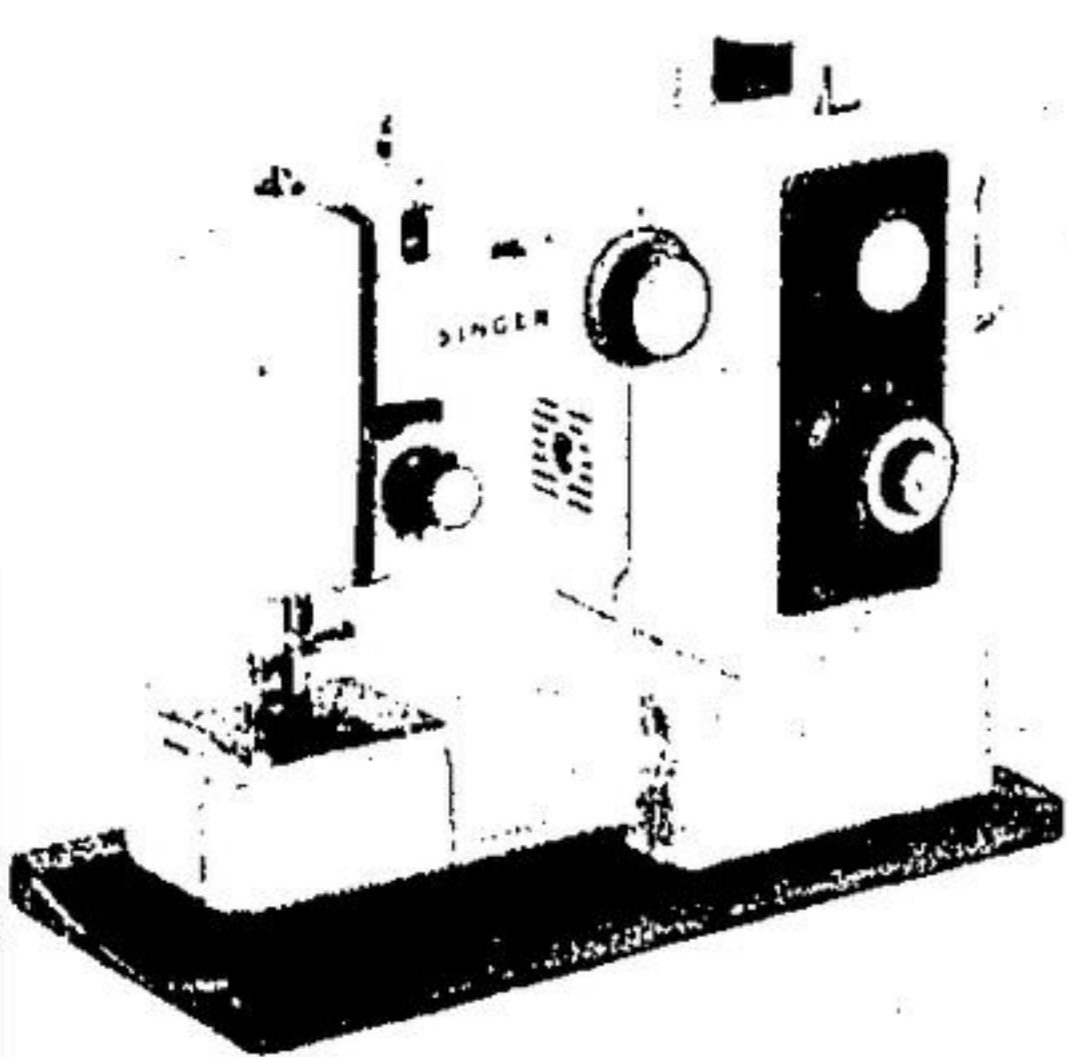
SAVE
\$50

Don't miss the savings on our show-stopping Canadian-made sewing machine. And don't miss the features: buttonholer and 14 stitches built in; electronic speed control. Sale-priced now at \$434.95 Model 6146

Memo-Matic — Quick & Easy Knitting

NOW ONLY **\$499.95** SAVE \$50
Reg. \$549.95

- twin yarn feed
- Singer punch card patterns
- magic point motifs
- fun, quick and easy
- free lessons

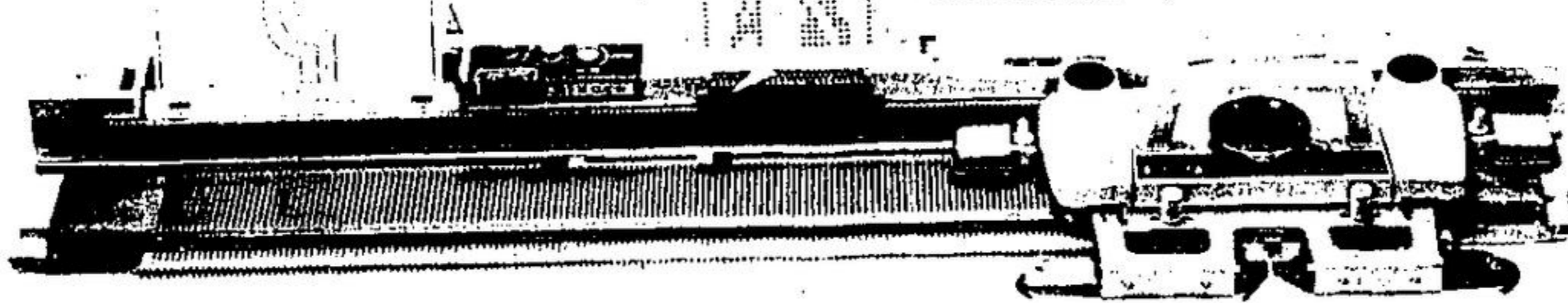


STEP RIGHT UP FOR THIS GREAT PERFORMER AT AN EVEN GREATER SINGER PRICE.

This free arm machine has:
• a light weight aluminum body
• zig zag and stretch stitches
• self threading capacity

(Carrying case or cabinet extra.)

NOW ONLY
\$229.00



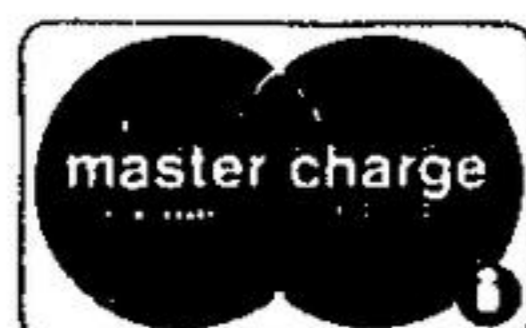
Cabinets and Carrying Case Extra unless otherwise stated

TRADE IN ALLOWANCE - CREDIT TERMS & MONTHLY PAYMENTS AVAILABLE

SINGER



stone road mall
821-0561



SAVE **\$65.00**



Our feature-packed Contempra Touch and Sew® machine at \$699.95. Our exclusive one-step button-measuring buttonholer makes perfectly sized buttonholes.

Our exclusive push-button bobbin-winder winds in the machine saving time and thread.

Our exclusive slant needle is easier to see.

Our exclusive soft-touch fabric feed guarantees smooth feeding of all fabrics.

Our horizontal thread delivery eliminates drag and gives more uniform tension.