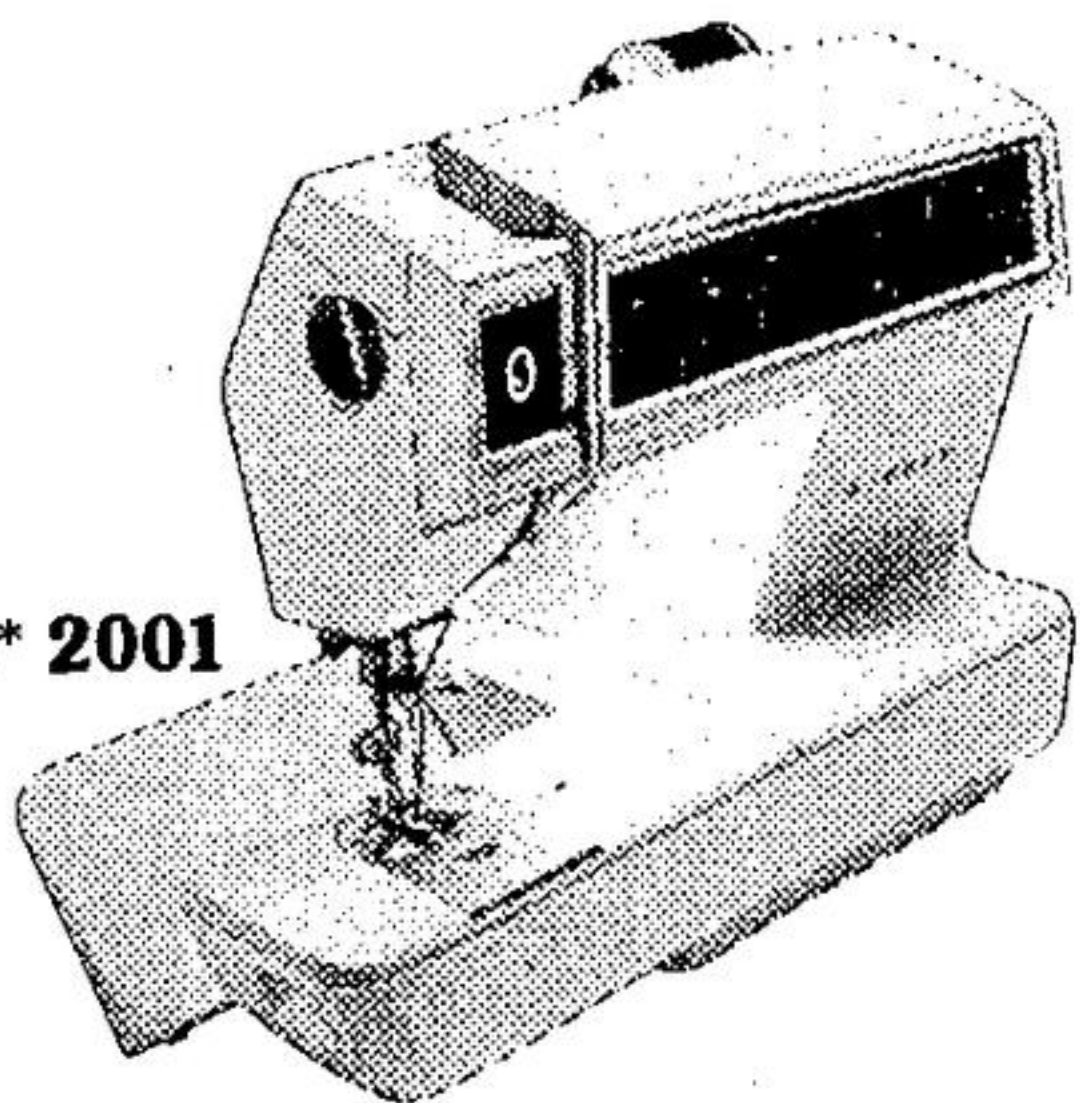


SINGER SALE-A-THON

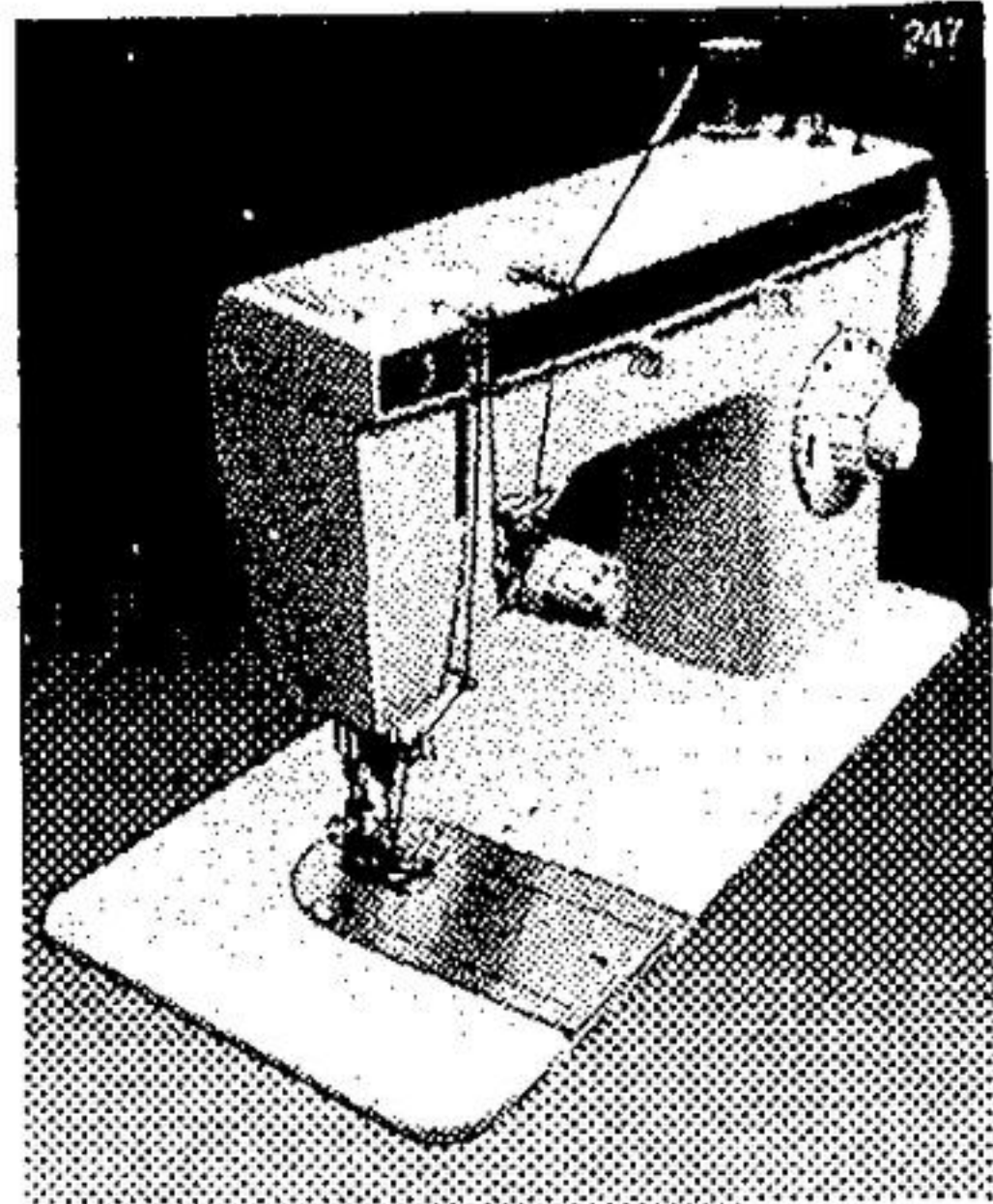
This way for sensational savings!

The Touch-Tronic* 2001 memory machine



Only Singer makes the extraordinary Touch-Tronic 2001 with Singer exclusive Touch-Tronic memory panel; 27 pre-programmed stitch patterns; unique one-step buttonholer, Flip & Sew* panel and much more! Sale-A-Thon priced at \$1099.00.

SAVE \$100



The Fashion Mate* ZIG-ZAG machine

Hurry, hurry! Take advantage of this fantastic offer NOW! This versatile machine has all your favourite features. Start sewing your Fashion Mate wardrobe, today! (Carrying case or cabinet extra.)

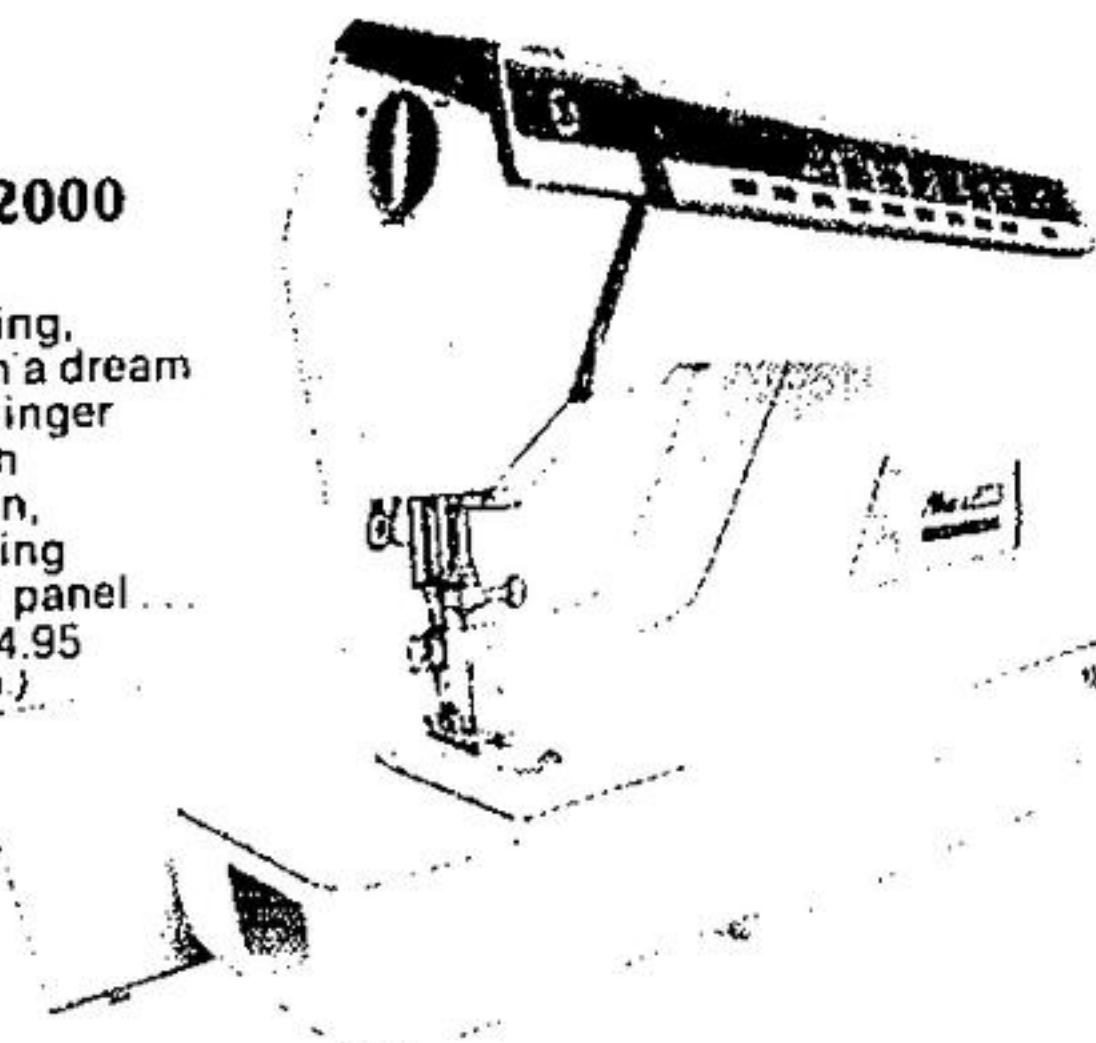
\$129

*Trademark of Singer Company of Canada Ltd.

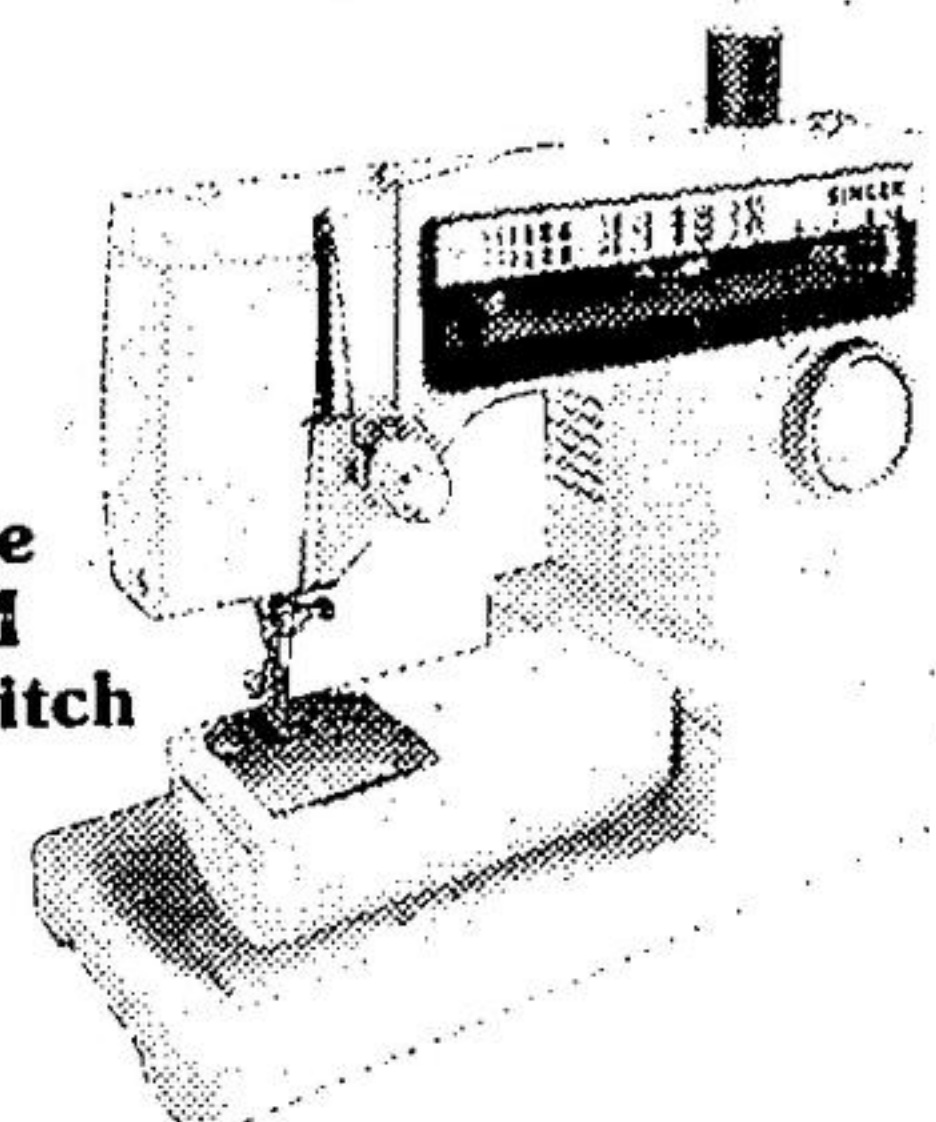
The Touch-Tronic* 2000 memory machine

Right this way... for daring, death-defying savings on a dream of a machine! Features Singer exclusives like one-touch electronic stitch selection, one-step button-measuring buttonholer, Flip & Sew* panel... and more! Sale price \$924.95 (Carrying case or cabinet extra.)

SAVE \$100



The Deluxe FREE ARM Stretch Stitch machine



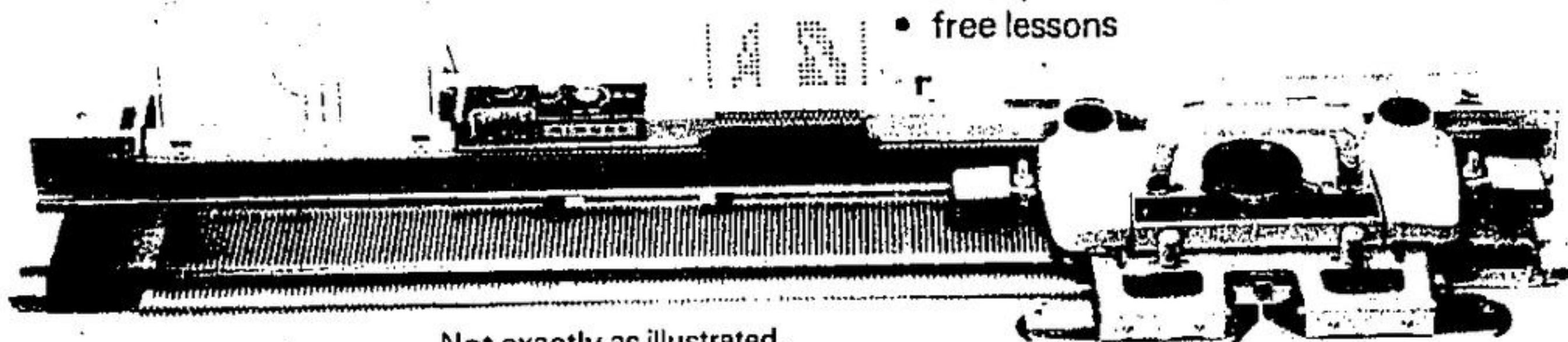
SAVE \$50

Don't miss the savings on our show-stopping Canadian-made sewing machine. And don't miss the features: buttonholer and 14 stitches built in; electronic speed control. Sale-priced now at \$434.95 Model 6146

Memo-Matic — Quick & Easy Knitting

NOW ONLY \$499.95 SAVE \$50
Reg. \$549.95

- twin yarn feed
- Singer punch card patterns
- magic point motifs
- fun, quick and easy
- free lessons

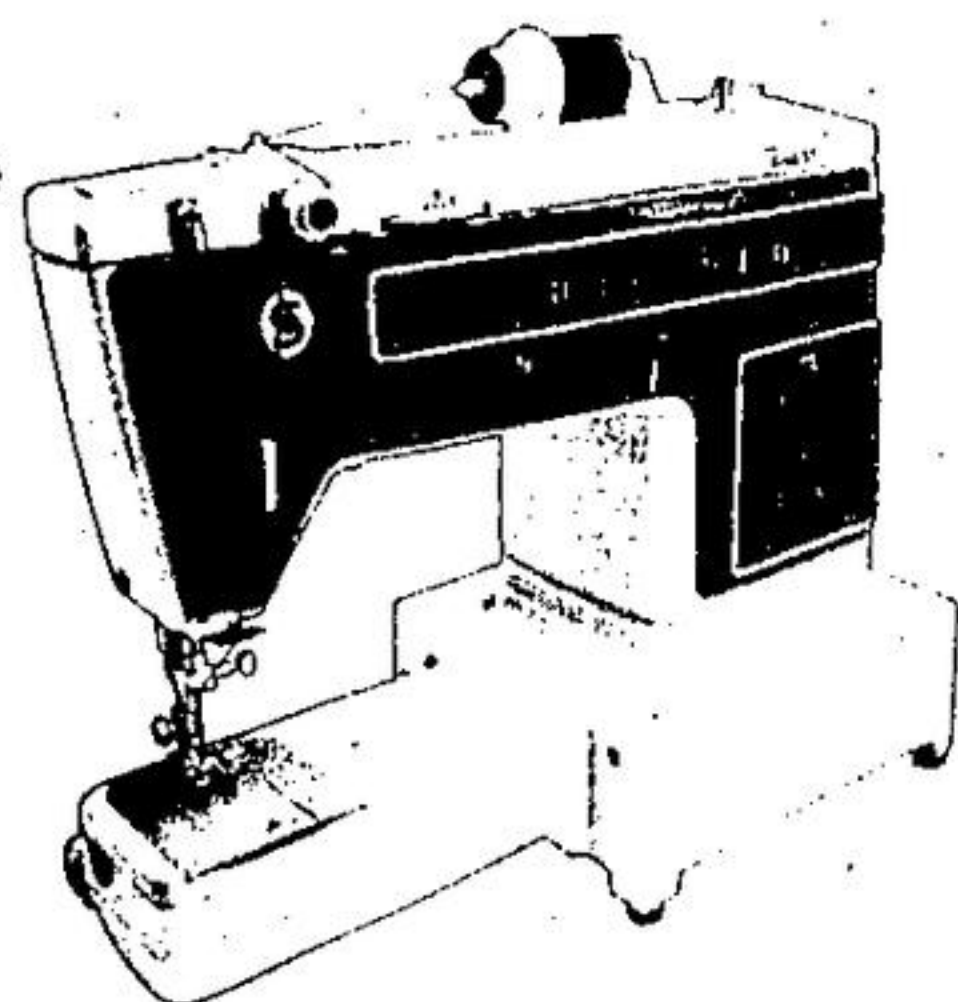


Not exactly as illustrated.

The free arm ELECTRONIC Diana* machine

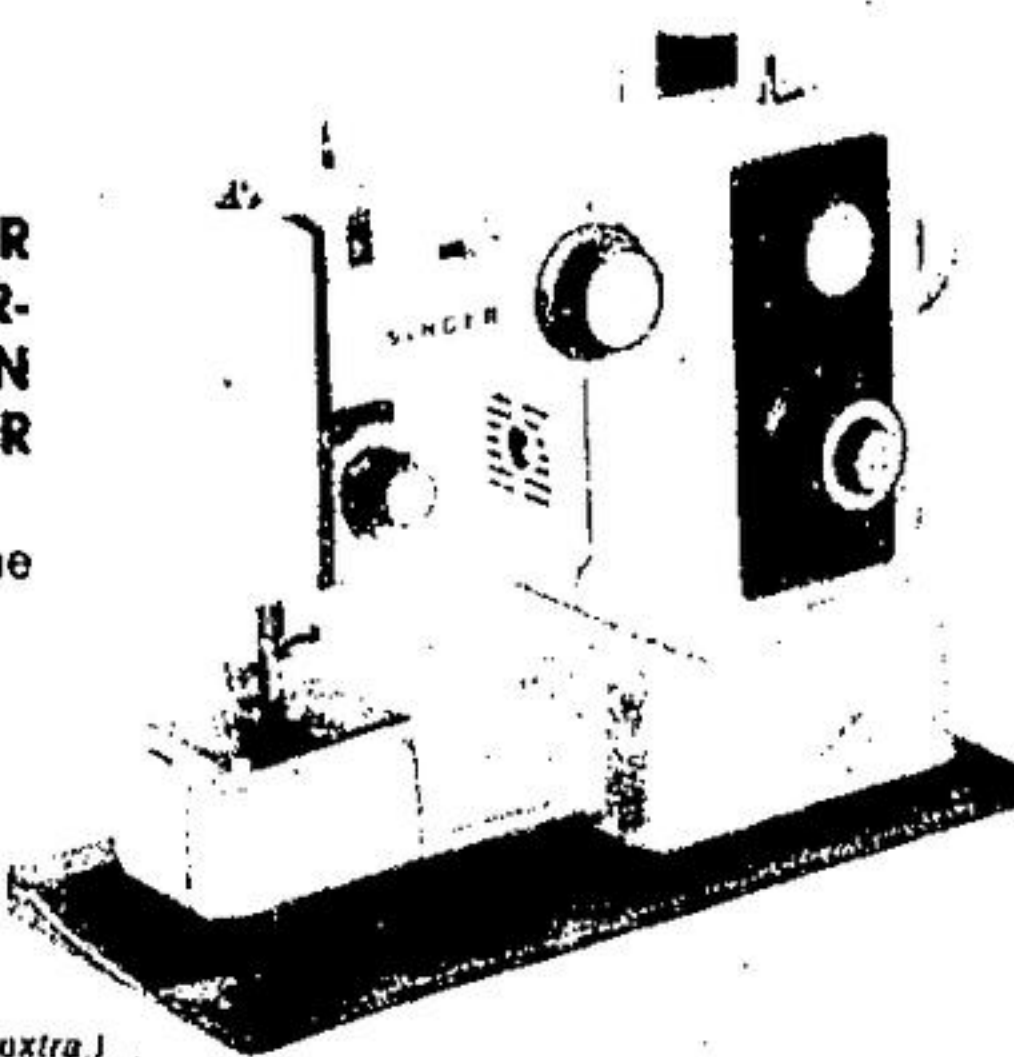
SAVE \$500

on the fully-electronic Free Arm Diana 860 sewing machine



STEP RIGHT UP FOR THIS GREAT PERFORMER AT AN EVEN GREATER SINGER PRICE.

- This free arm machine has:
- a light weight aluminum body
 - zig zag and stretch stitches
 - self threading capacity



(Carrying case or cabinet extra.)

NOW ONLY \$229.00

*Trademark of Singer Company of Canada Ltd.

Our feature-packed Contempra Touch and Sew* machine at \$699.95

Our exclusive one-step button-measuring buttonholer makes perfectly sized buttonholes.

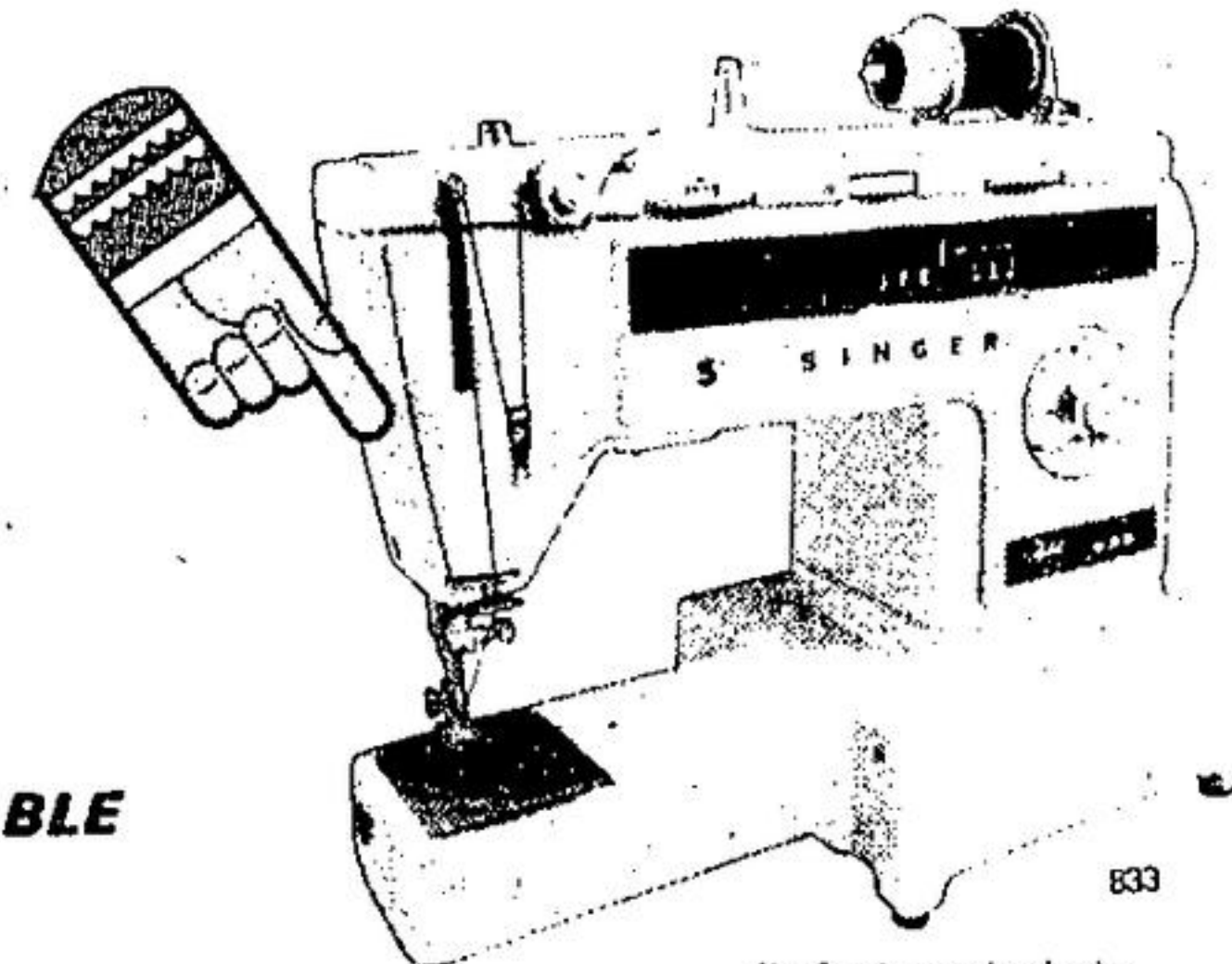
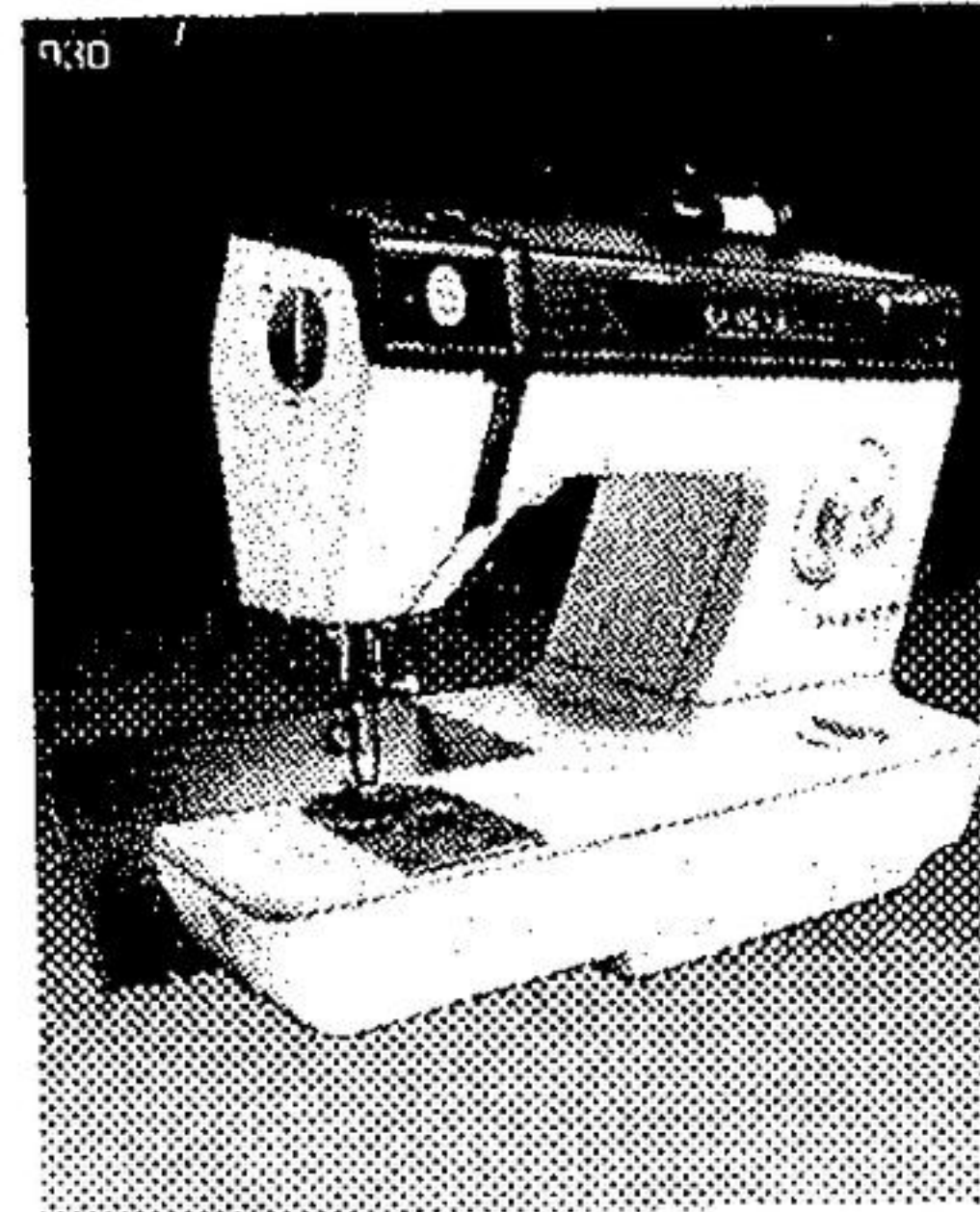
Our exclusive push-button bobbin-winder winds in the machine saving time and thread.

Our exclusive slant needle is easier to see.

Our exclusive soft-touch fabric feed guarantees smooth feeding of all fabrics.

Our horizontal thread delivery eliminates drag and gives more uniform tension.

SAVE \$65.00



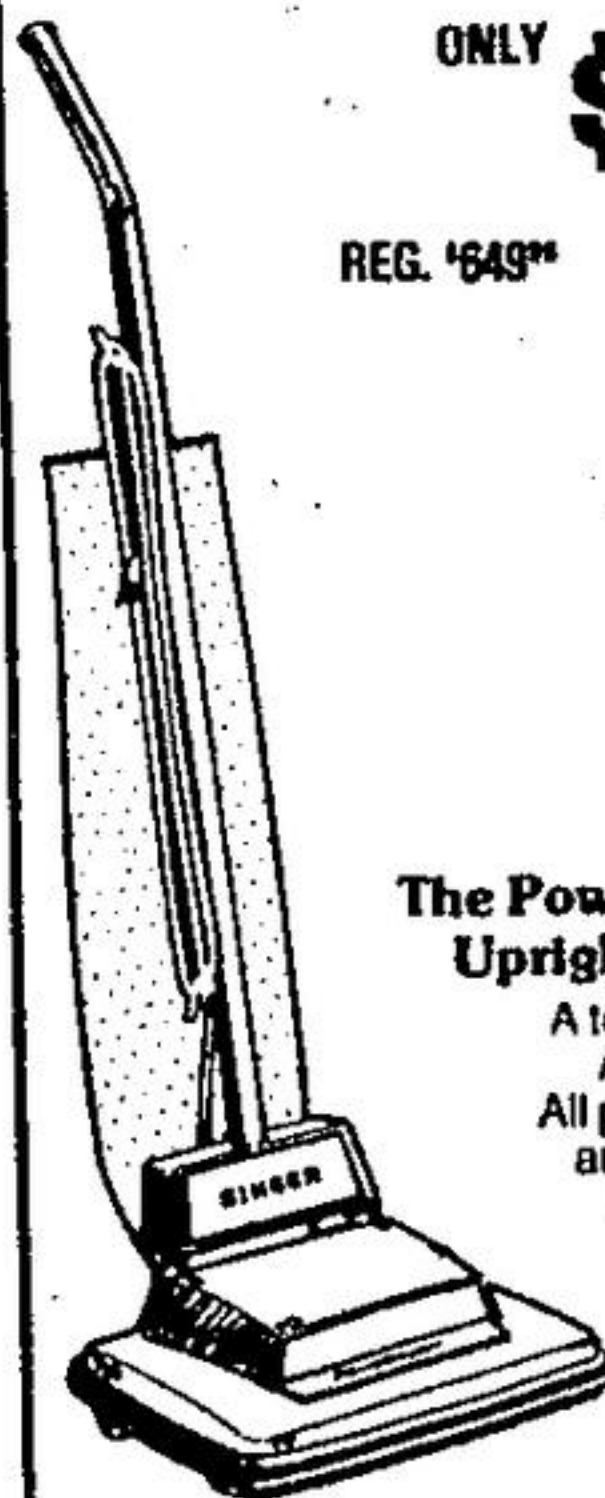
The Stylist* FREE ARM Stretch Stitch machine

Don't miss this great opportunity to save on an easy sewing Singer machine.

- Its features include:
- free arm
 - built-in blind stitch
 - built-in stretch, zig-zag and decorative stitches.
- And it comes complete with base for flat bed sewing.

NOW ONLY \$299.95
REG. \$349.95

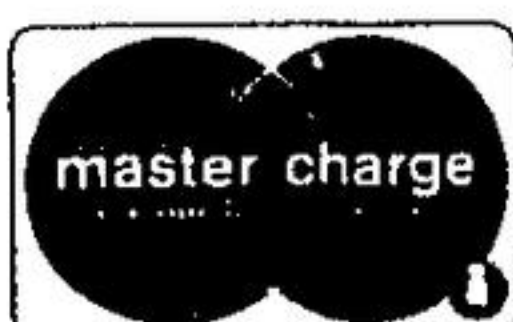
Price may vary. *Trademark of THE SINGER COMPANY. Authorized User: Singer Company of Canada Ltd.



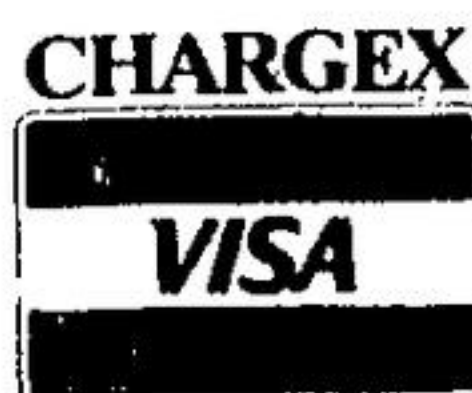
The Powermaster* Upright Vacuum

A terrific cleaner. A terrific price. All part of the one and only Singer Sale-A-Thon! Model U-60

\$109



stone road mall 821-0561



SINGER



*Trademark of Singer Company of Canada Ltd.