

Light Up The Fifties

Sidewalk

SINGER

STONE ROAD MALL STORE ONLY



SIDEWALK CLEARANCE

4 DAYS ONLY
JANUARY 28 - 31



SAVE \$125⁰⁰

TOUCH-TRONIC 2001 SEWING MACHINE BY SINGER

TAKES THE WORK OUT OF SEWING
— LETS HER CONCENTRATE ON THE FUN

- TOUCH-TRONIC MEMORY PANEL 27 PRE-PROGRAMMED STITCHES
- EXCLUSIVE ONE STEP BUTTONHOLE SYSTEM
- PUSHBUTTON BOBBIN WINDER

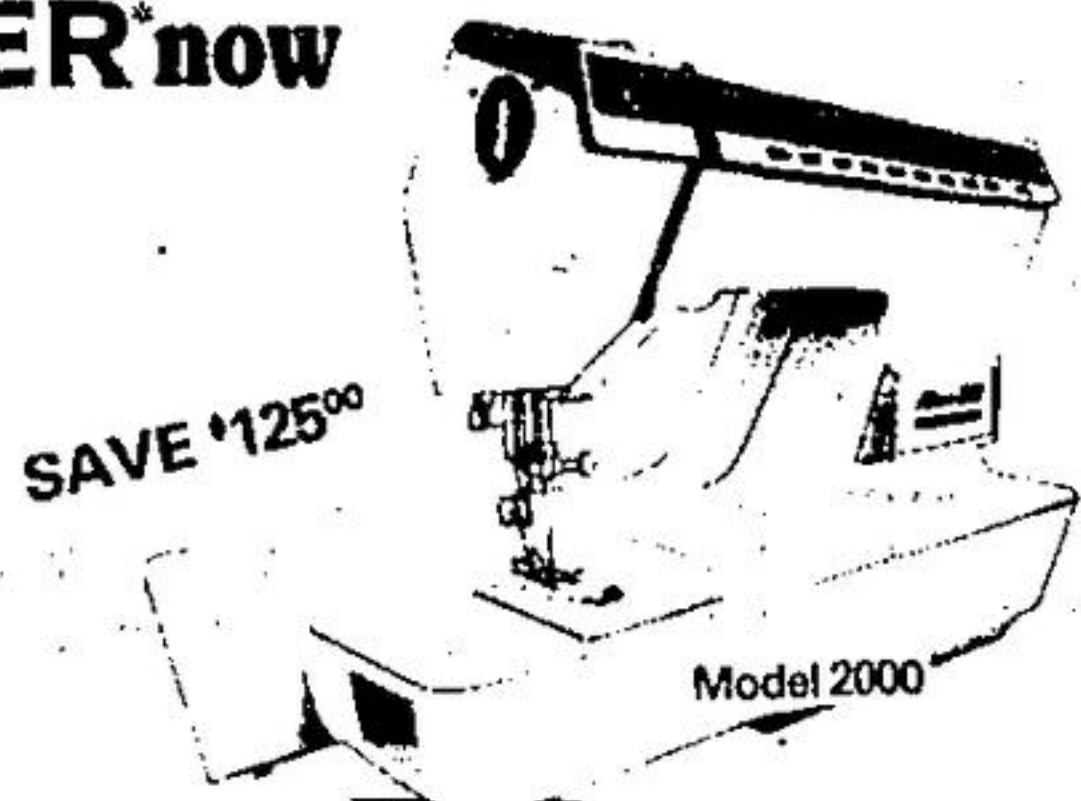
REG. \$1164⁹⁵ **SALE \$1074⁰⁰**

"Buy this SINGER now"

Buy this Singer Touch-Tronic 2000 Memory Machine...

- Super sophisticated yet so easy to operate! Just push a button and look what you get!
- Pre-programmed stitch selection
- 1-step button-measuring buttonhole
- Adjustable basting attach
- Push button bobbin winding
- Singer quality, service and guarantee

\$899⁰⁰



SAVE \$125⁰⁰

Model 2000

A value-packed Singer Stretch-Stitch sewing machine with:

- Built-in buttonholer, puts an end to clumsy attachments.
- 7 built-in stitches including straight stretch and blindstitch.
- Slant overedge stretch-stitch for knits and stretch fabrics.
- Lightweight aluminum body for easiest handling ever.
- Push-button reverse to save stitching time.



Only \$249⁰⁰

Reg. \$269⁰⁰

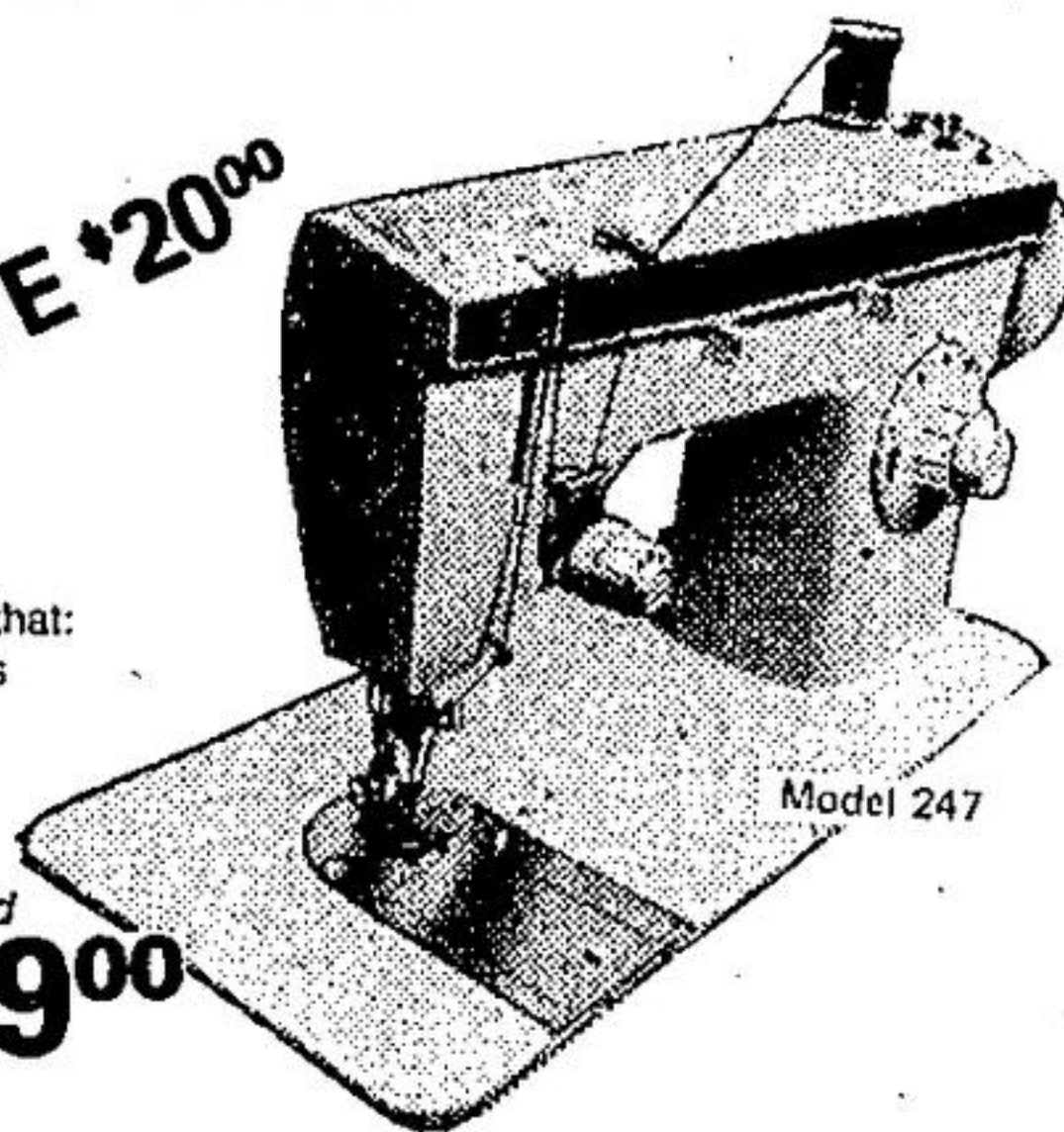
SAVE \$20⁰⁰

Singer ZIG-ZAG Fashion-Mate

A value-packed Singer machine that:

- sews elastic and stretch fabrics
- makes buttonholes and sews on buttons
- has convenient Singer front drop-in bobbin
- plus Singer quality, service and guarantee

NOW ONLY \$139⁰⁰



Model 247

Now Only \$599⁰⁰



Save \$50⁰⁰

- Singer pattern start feature. Means patterns are programmed to start automatically at the beginning of each design.
- Push-button built-in buttonholer. Means any length buttonhole in two easy steps.
- Front drop-in bobbin. Is easy to see and replace and eliminates fumbling with bobbin case.
- Horizontal thread delivery. Means no drag or tug on top thread for more uniform stitching.
- A variety of sewing cabinets lets you choose the one that best suits your needs.

A deluxe Singer Stretch Stitch sewing machine now only \$399⁰⁰

This versatile Canadian-made sewing machine features:

- Electronic speed control for smooth even sewing.
- Built-in buttonholer puts an end to clumsy attachments.
- Singer® solid state circuitry. Means reliability, versatility and easy operation.



Save \$65⁰⁰

- Singer push-button electronic stitch selection. Means any one of 14 built-in stitches at the touch of a button.
- Singer "touch & wind" hand wheel. Means no fumbling when winding bobbin.

- 14 built-in Fashion* and Flexi-Stitch* patterns for sewing elastic, mending, blind hemming, overedging and decorative stitching.
- Free arm for sewing hard-to-reach cuffs and sleeves.
- Snap-in cloth plate lets you convert to flat sewing surface.
- Lightweight aluminum body for easiest handling ever.

Our feature-packed Contempra Touch and Sew* machine at \$699⁰⁰

- Our exclusive one-step button-measuring buttonholer makes perfectly sized buttonholes.
- Our exclusive push-button bobbin-winder winds in the machine saving time and thread.
- Our exclusive slant needle is easier to see.
- Our exclusive soft-touch fabric feed guarantees smooth feeding of all fabrics.
- Our horizontal thread delivery eliminates drag and gives more uniform tension.



SAVE \$65⁰⁰

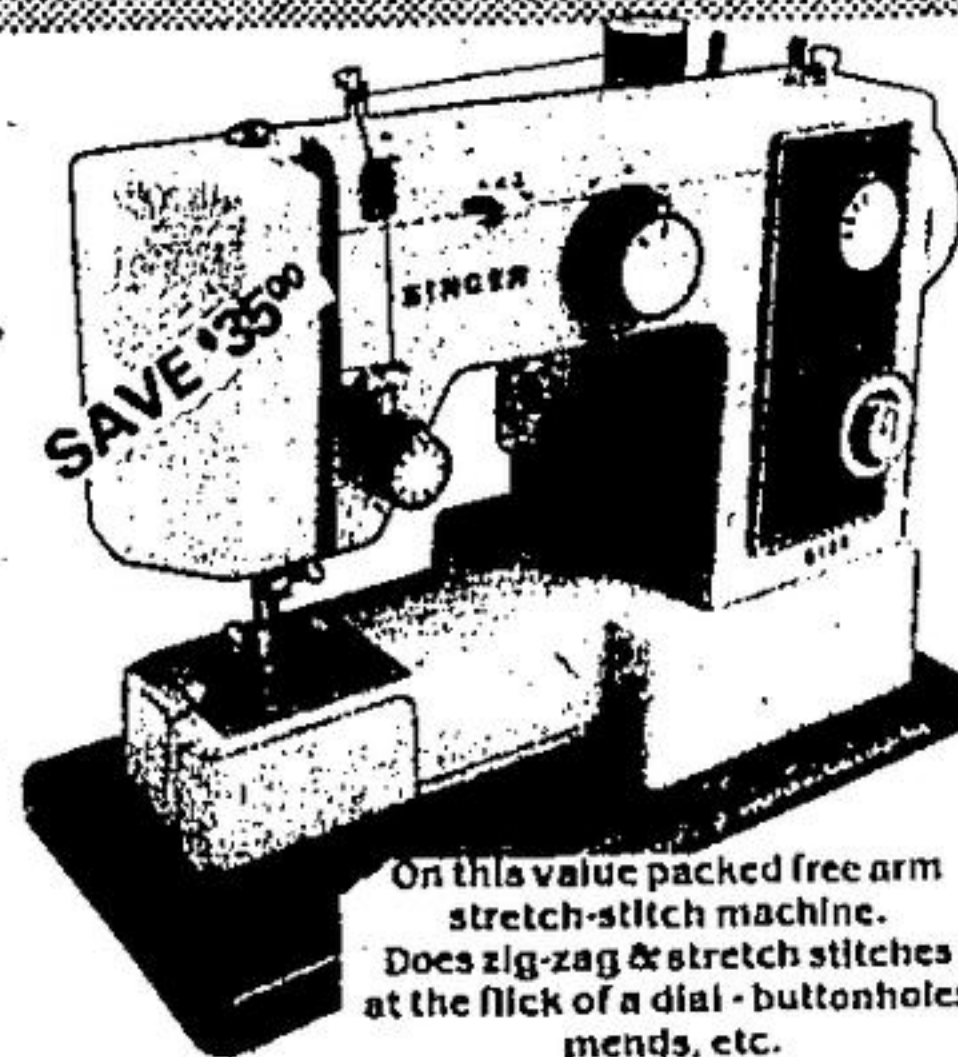
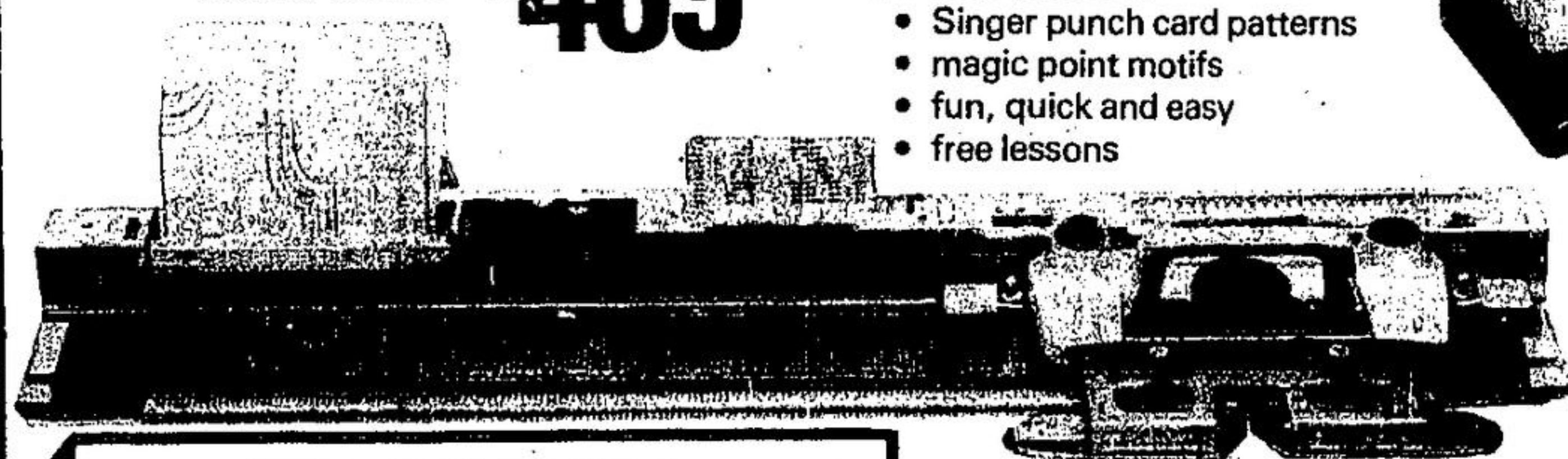
Memo-Matic — Quick & Easy Knitting

Reg. \$519⁰⁰

NOW ONLY \$469⁰⁰

Save \$50⁰⁰

- twin yarn feed
- Singer punch card patterns
- magic point motifs
- fun, quick and easy
- free lessons



SAVE \$35⁰⁰

On this value packed free arm stretch-stitch machine. Does zig-zag & stretch stitches at the flick of a dial - buttonholes mends, etc.
Reg. \$264⁰⁰
SIDEWALK SPECIAL
\$229⁹⁵

Power Glide

Economy Canister Vacuum Cleaner \$79⁹⁵

- lightweight — durable construction
- permanent built-on tool case
- air-jet blower
- double filter system

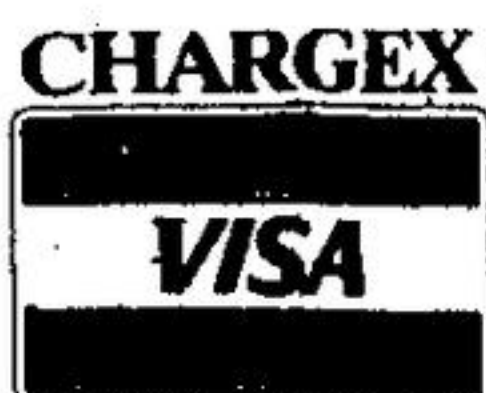


* cabinets and carrying cases extra unless otherwise stated *

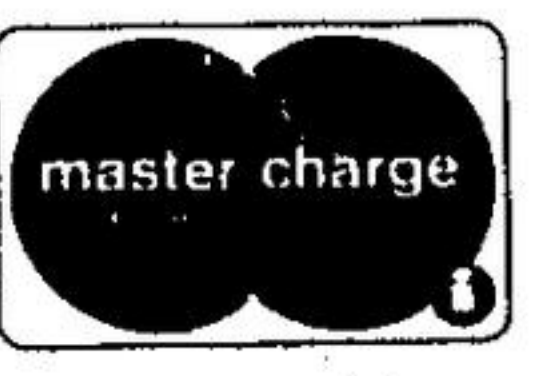
TRADE-IN ALLOWANCE - CREDIT TERMS & MONTHLY PAYMENTS AVAILABLE

TRADE-IN SPECIALS

AT SPECIAL SIDEWALK PRICES



SINGER



stone road mall