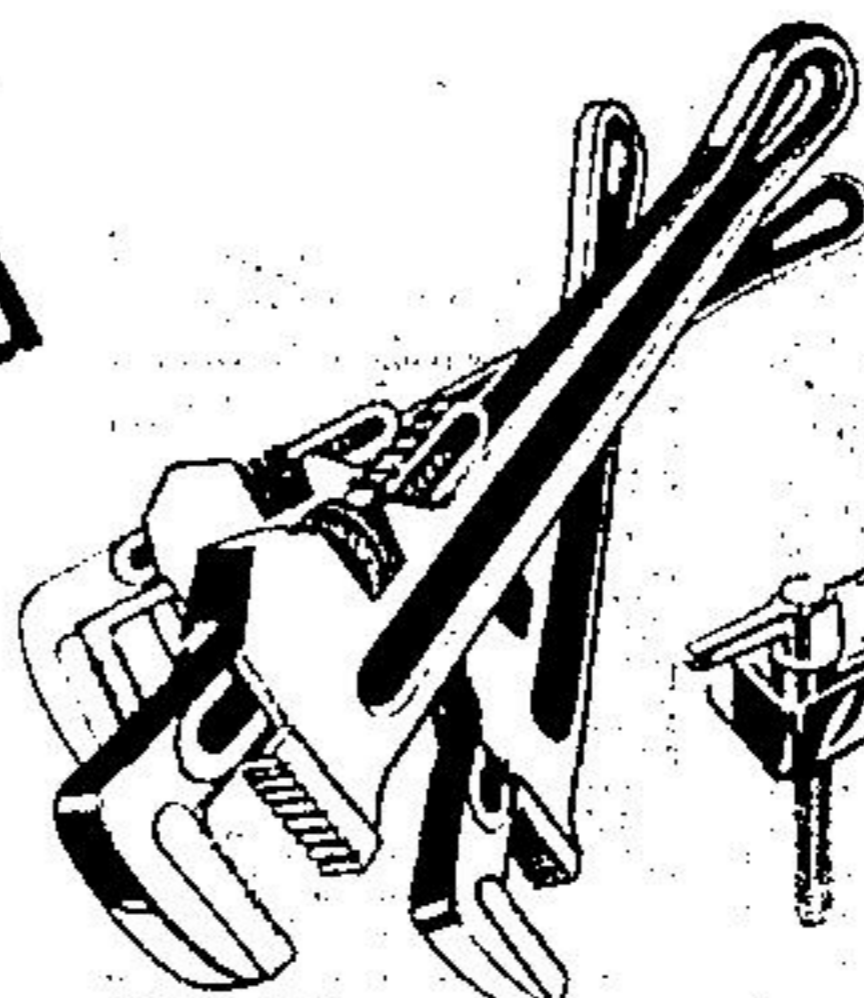


# American Standard Single Lever Faucet

Modern-design American Standard Aquarian II faucet features ceramic cartridge, 8" centre, single lever handle. Complete with swing spout and aerator. 1/4" copper tubing inlets. For use with stainless sinks. 566-608

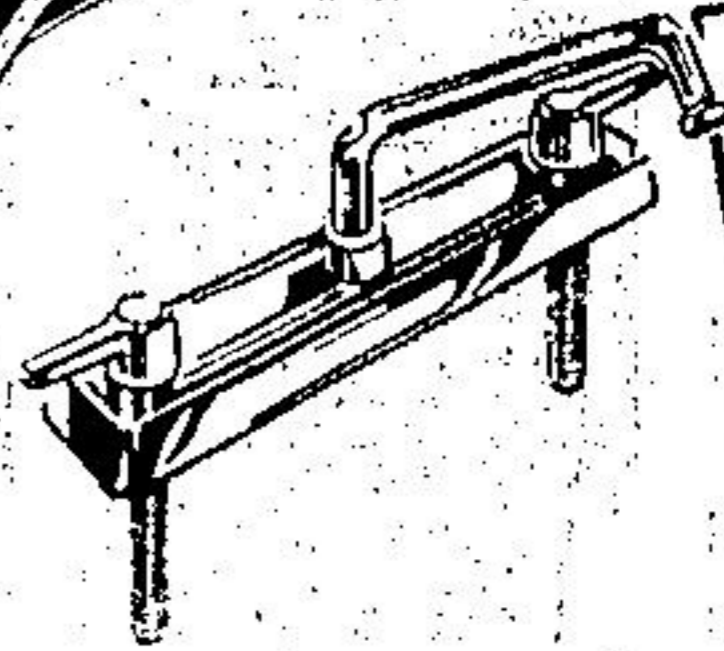
## 34.99

Ea.



18" Rigid Type Pipe Wrench **12.44**

Drop forged steel construction. Jaws hardened and tempered. Red enamel finish handles. Good grip. 547-678

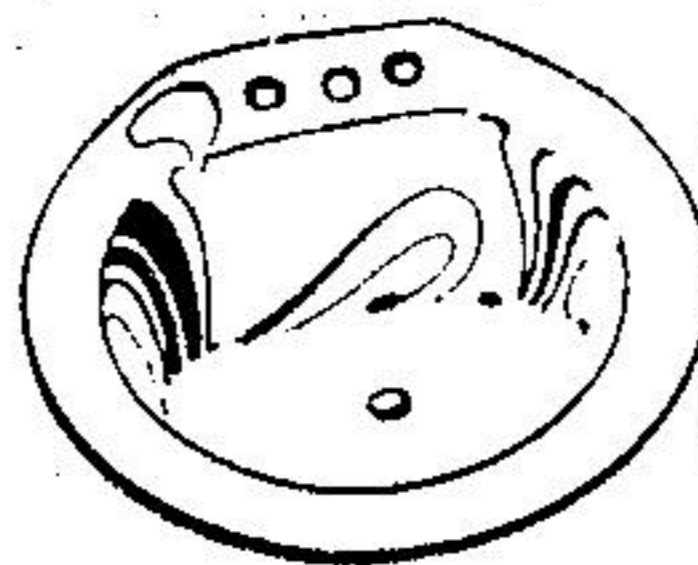


Economy Deck Faucet **12.99**

8" Centre chrome plated brass deck faucet with renewable seats. Complete with swing spout and screen. 566-668

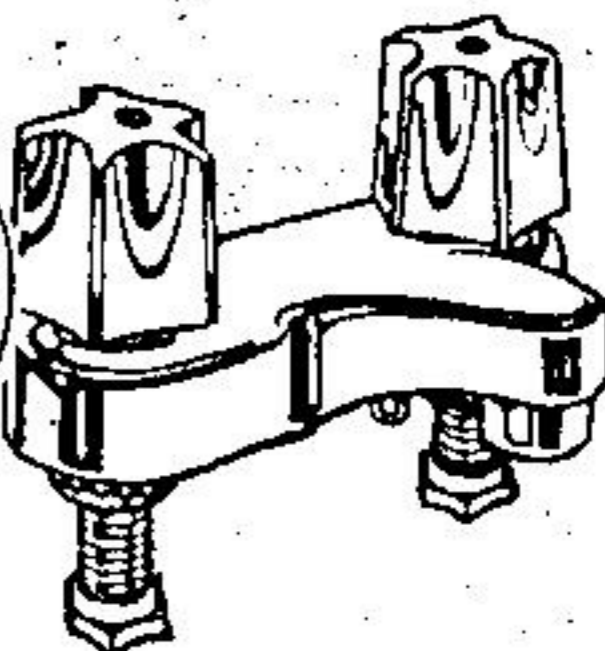


**Potting soil**  
A precise blend of composted rich loam soil.  
2 1/4 qt: 270-388 Each .71  
4 qt: 270-387 Each .88  
8 qt: 270-391 Each 1.52  
1/2 bushel: 270-386 2.42  
1 bushel: 270-390 3.58



Ovation Vanity **22.39**

American Standard steel basin with acid-resistant enamel finish. For countertop installation. 566-633



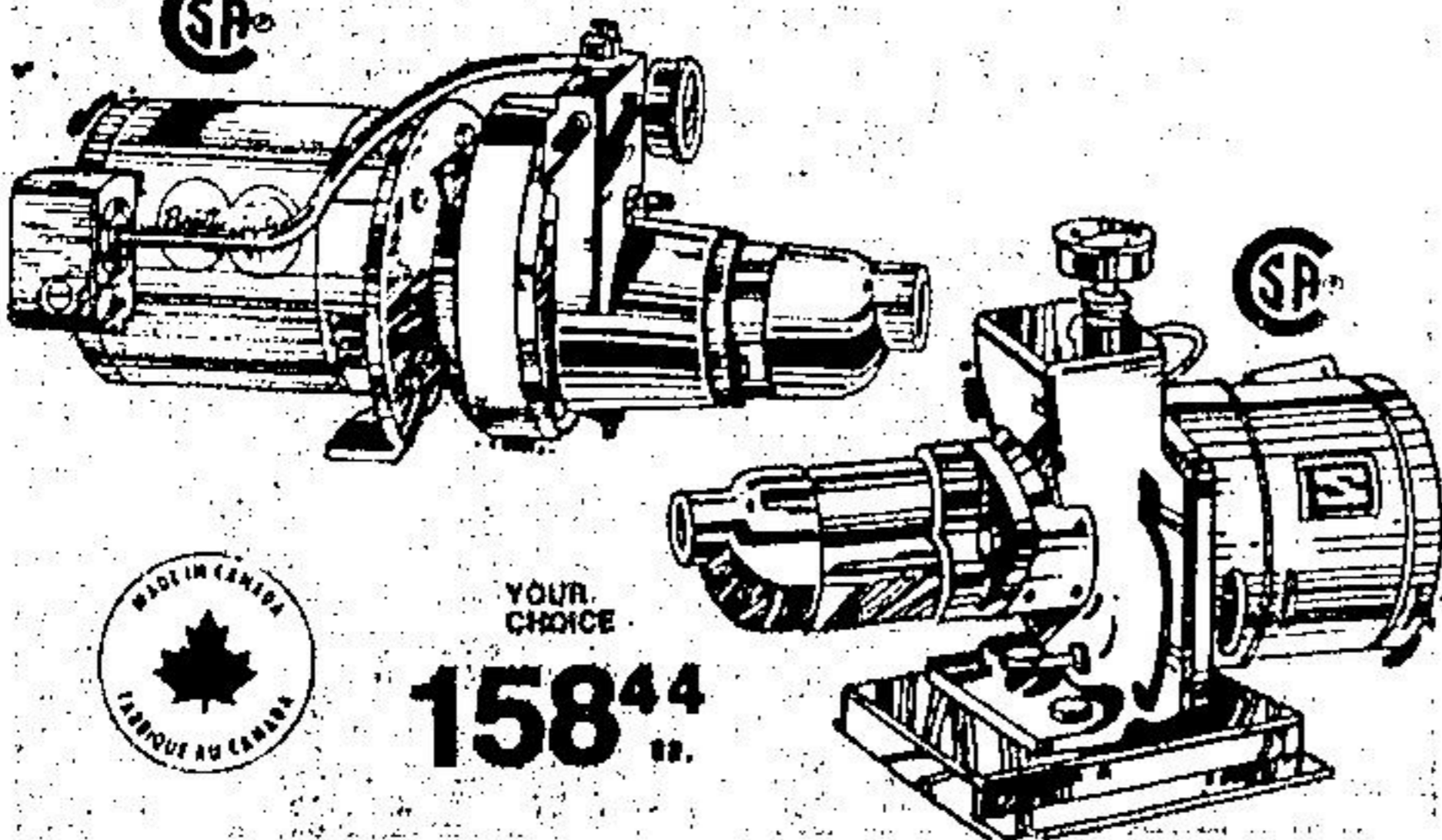
4" Walter Centre Set **14.99**

Plumbers choice! Incl. aerator, coupling nuts, washers and back nuts. Brass stems and removable seats. Easy to install. 566-581



**African Violet Potting Soil**

An outstanding growing medium for all tender rooted plants.  
2 1/4 qt: 270-367 Each .71  
4 qt: 270-366 Each .88  
8 qt: 270-365 Each 1.52



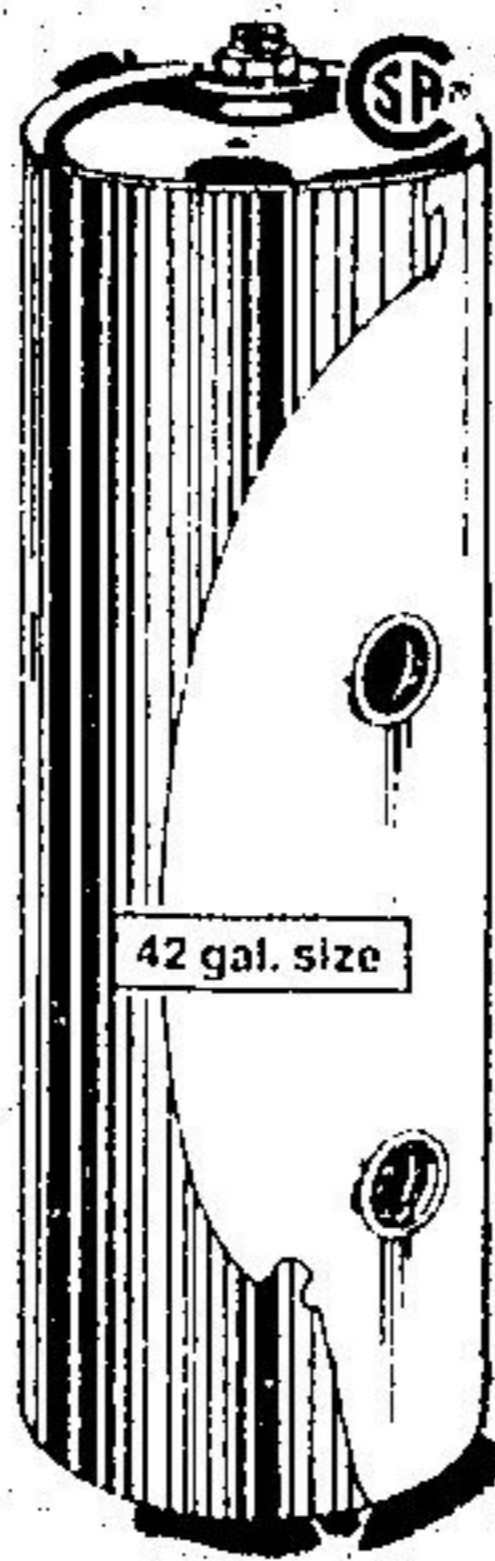
YOUR CHOICE  
**158.44**

Beatty 1/2 HP shallow or deep well pump w/ejector

Completely convertible from shallow to deep well. Pump, motor, switch, foot valve ejector and extra venture included. Shallow well pumps up to 630 gph, 90' well up to 210 gph. 525-201

Sta-rite 1/2 HP shallow or deep well pump w/ejector

All the performance features of pump at left. Includes pump, motor, switch, foot valve ejector and extra venture. Can be used in minimum of 4 inch casing for deep well operation. 525-206



42 gallon galvanized pressure tank **53.88**

Designed to 85 PSI maximum working pressure. Measures approx. 16" diam. x 52" h. 525-222  
30 gal. 525-221 44.88



Drain-Bann **2.61**

An industrial strength cleaner for drains, sewers, plugged sinks and septic tanks. Works fast. 240-088  
48 oz. 240-089 4.90



CO-OP Cat Box Filler **2.99**

With CO-OP's biodegradable cat box filler you use less than 1/2 the amount of other litters. Made from clean, highly absorbed organic fibres. 439-404.  
20 kg: 439-413 5.85



Instant Patch **5.33**

Just brush on roofs, flashings, gutters. Seals holes to 1/4". All-weather bituminous roof sealer. 563-042



Nabisco Milk Bones **1.15**

Helps keep dogs teeth clean by providing good chewing exercise. For small, med., large dogs 438-463  
20 lb. Size. 438-483 10.35