

Priced-right basics - the beginning of every great handymate project.



Spruce Lumber

For walls, ceilings, floors and framing

Get that rec room or any home project off to an economical start with spruce strapping and studing. Now is the time to transform a cold grey basement into a warm, cozy recreation room or add a laundry room.

Priced per 8 foot piece

1" X 2"	28^c
1" X 3"	44^c
2" X 2"	63^c
2" X 3"	69^c
2" X 4"	1²⁵

Nominal sizes.

Select from our wide inventory all the lumber you need to build your rec room.



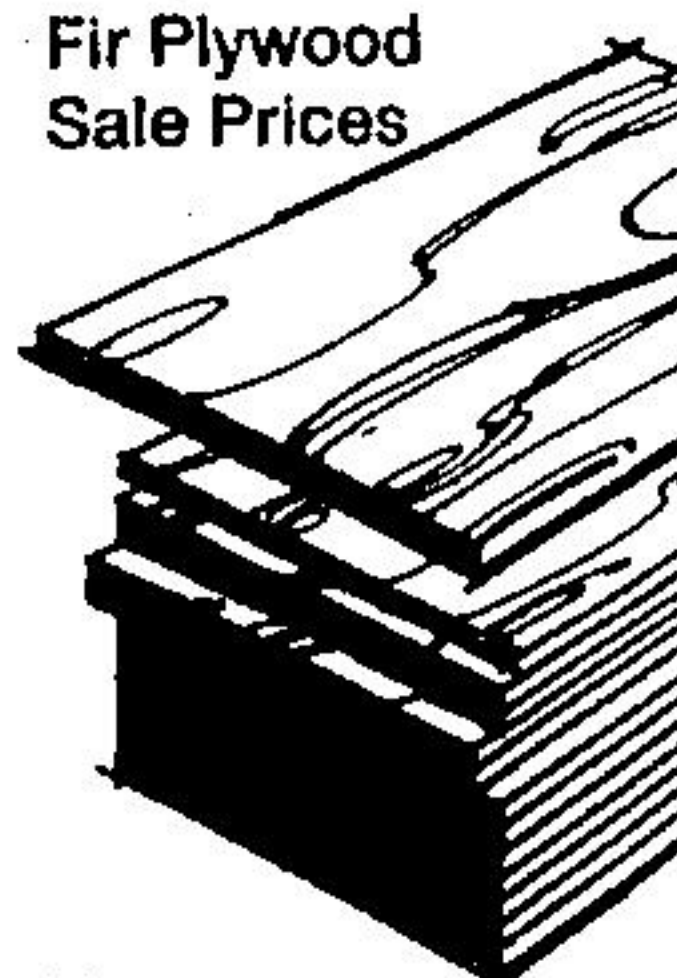
Hardwood Plywood

Choose real Birch veneer or Mahogany veneer hardwood plywood for all sorts of interior projects around the home. This fine quality plywood boasts attractive even graining and a smooth surface. Easy to saw and nail. Ideal for kitchen cabinets, stereo speaker cabinets, built-in furniture, and tables. Ready to finish with varnish or stain. On Sale! 4' X 8' Sheet. Cash & Carry

	1/2" thick	3/4" thick
Birch Veneer	16⁵⁰	19⁵⁰
Mahogany Veneer	17⁷⁵	19⁷⁵

Thickness as available from inventory.

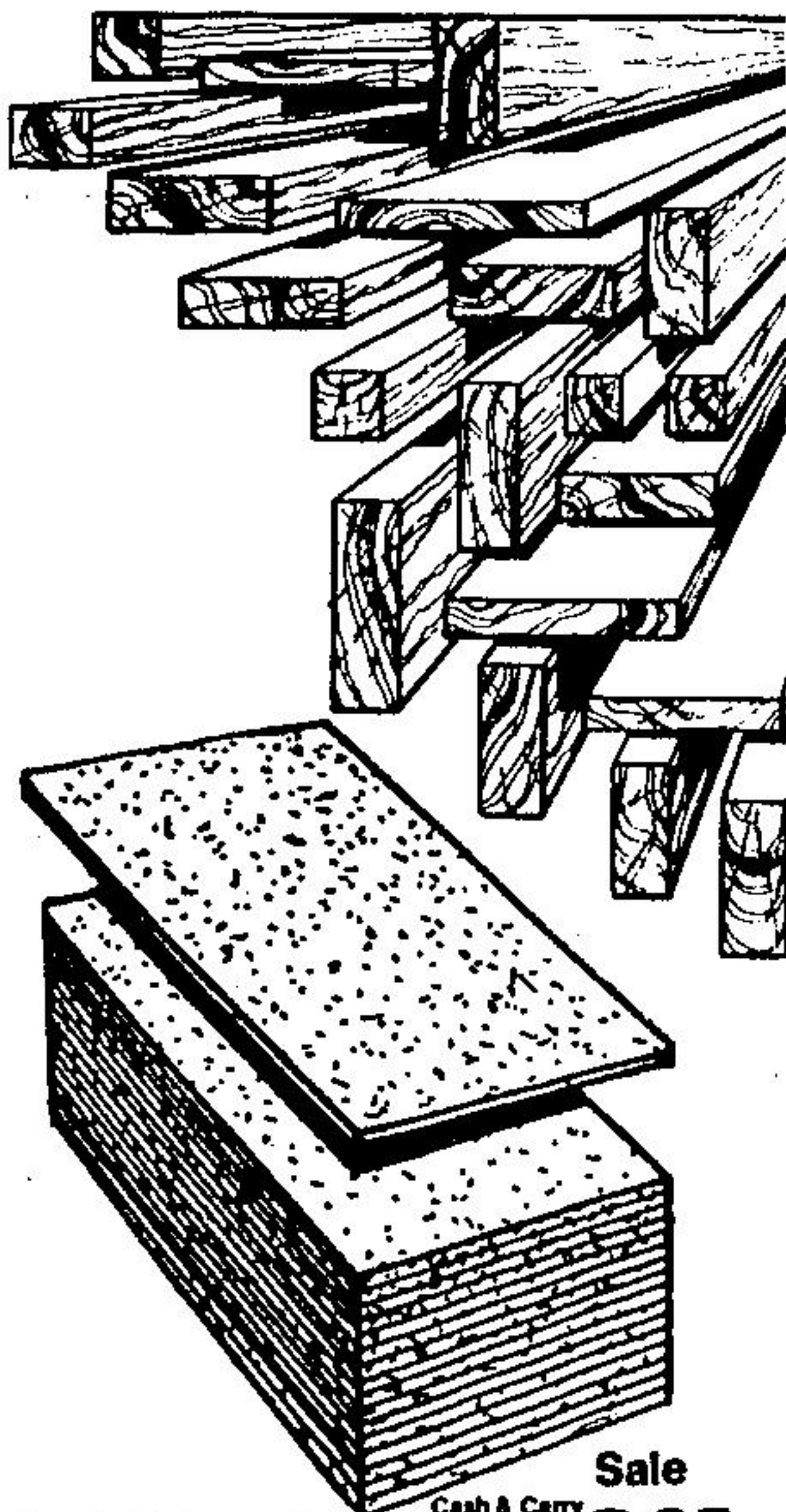
Fir Plywood Sale Prices



Take advantage of these priced Plywood is one of the most popular and versatile building products. Fir plywood's hardness and waterproof glue make it perfect for jobs needing strength and durability. We'll help you estimate your job and select the proper plywood.

Sanded good one side. Priced per 4' x 8' sheet. Cash & Carry

1/4"	9²⁰
1/2"	14²⁰
3/4"	19⁶⁰



Pine Lumber

Pine is the ideal lumber to accent your decor - trim, shelving, cabinetry - the possibilities are endless. Sound knotted grade. Easy to work with. Ready to paint or stain. Nominal sizes.

Priced per lineal foot.

1" X 2"	13^c
1" X 4"	24^c
1" X 6"	36^c
1" X 8"	48^c
1" X 10"	62^c
1" X 12"	79^c

Random lengths as available from inventory.

Particle Board Shelving

The ideal shelving for bookshelves and storage cupboards. Can also be used in the basement, laundry room or the garage. 5/8" thick. 12" wide. Nominal sizes. Cash & Carry

4' long	99^c each
6' long	149 each
8' long	199 each

Other sizes as available from inventory.

Hardboard

The economical, multipurpose panel with so many uses. Easy to work with too.

ON SALE	Cash & Carry
4' X 8' X 1/8"	289 panel
4' X 8' X 1/4"	549 panel

Pegboard

Perforated pegboard is the perfect way to keep track of work tools. Ideal for garage, utility building, basement. Useful in the kitchen too for hanging cooking utensils. Really sturdy and economical.

ON SALE	Cash & Carry
4' X 8' X 1/8"	359 panel
4' X 8' X 1/4"	599 panel

Hammers

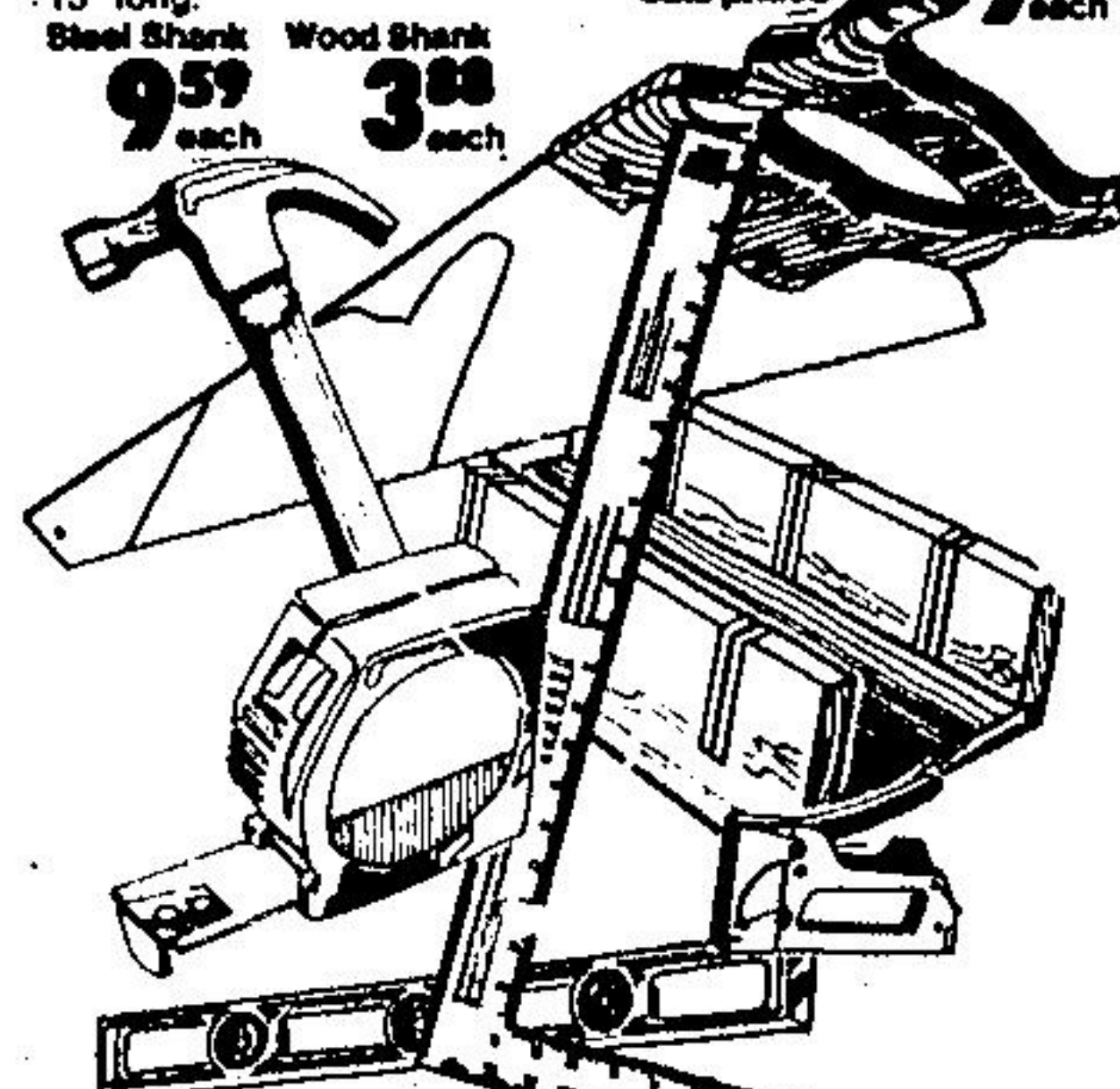
Choose from two types - wood or tubular steel shank. 13" long.

Steel Shank	Wood Shank
9⁵⁹ each	3⁸⁸ each

Hand Saw

26" long. Ideal for all those small cutting jobs. Sale priced

9⁵⁹ each



Carpenters Square

Special **6⁵⁹** each

Tape Measure 10' tape, Metric/English measurements, 3/4" wide tape. Special **6⁹⁹** each

24" Aluminum Level Warp proof, 360 degree vials, for the discriminating handy person. Special **12⁹⁹** each

Mitre Box

Wood construction with aluminum inserts 12" long. Special **2⁹⁹** each

Arrow Staple Gun Use it instead of a hammer and nail! Tack insulation, ceiling tiles, upholstery, carpet padding. Chrome finish, jam-proof, easy to operate. Model T-50. ON SALE **15⁹⁹** each

Particle Board

Ideal for building new counters, built-ins. Won't warp or split. The plywood substitute at less cost for inside the home. Thickness as available from inventory.

Cash & Carry	Sale
1/2" 4' X 8'	835 sheet
5/8" 4' X 8'	989 sheet