

Role of women

Mrs. Wayne Aitken was hostess for the Greenock Women's Institute meeting Feb. 11 with 15 members present. Mrs. J. McCulloch for her introduction gave several household hints and presided for the business.

Roll call was the Meaning of Equality. Acton W. I. invited Greenock members to attend a workshop at the centennial library on procedure, Feb. 21. Mrs. G. Leslie gave current events.

Mrs. A. Gates was the convener of the program. Her topic was Citizenship and World Affairs. International Women's Year, and the motto was Together We Win, Divided We Fall.

Status of women She dealt with the status of women, meaning of equality, economic and social life and the image and status of women in developing countries.

She ended by stressing that the role of women should be promoting peace among countries.

Mrs. R. Sinclair gave interesting information on family and consumer affairs. Mrs. J. McCulloch, Miss Eava Pearen and the hostess served a delicious lunch. Mrs. R. McKewen was courtesy convener. The March meeting will be at the home of Mrs. G. Wallace.



MARCH CAME in with a bonspiel Saturday, and both a paper lion and lamb decorate a poster welcoming the crowd at the curling club. Trev Patrick made the charming poster.



Mr. Murray Smith Jr., Mr. Robert Campbell of Guelph University and Mr. George Finney from Queen's University, Kingston are on a field trip to Louisiana to collect snow geese for Mr. Campbell's research project.

A friendly co-incidence at the Ontario Weekly Newspapers convention came during the draws for prizes. Jeff Barry of the Erin Advocate won a Diston saw, donated by the Acton Free Press. And his donation, a beautiful Ontario flag from Kennedy's of Erin, was won by the Acton Free Press!

Mr. David Russell, Main St., is a patient at Guelph General hospital.

Miss Joanne Landborough was home from Gravenhurst on Saturday.

About 40 members of the Acton Snowmobile Club enjoyed an outing at the Ponderosa site Sunday afternoon. After trail rides, they enjoyed steaming "boy scout stew" along with potatoes, crusty bread, coffee and hot chocolate.

Dealer shows farm films

"Farming Frontiers '75", a film program devoted to the business of farming, will be presented Wed., March 12 at Country Mart beginning at 2 and 8 p.m. according to Don Ross, the John Deere dealer in this area.

The program includes "Furrow-on-Film" subjects which show the latest developments in farm management. Also included will be motion pictures showing new tractors, planters, and other farm equipment being introduced for 1975.

There will be door prizes and refreshments.

Destroyed by fire

A car owned by a Rockwood man was destroyed by fire early Saturday morning on 15 Sideroad near Speyside. Milton Firefighters responded to the call. Harve Patenaude, R.R. 2, Rockwood was the owner.

BEAVER DEFLATION

POWER

Black & Decker Drills

Variable Speed 3/8" Drill

Use as drill or screwdriver. Trigger lock for continuous use. Reversing switch. #7140.

24³⁷



3/8" Variable Speed Drill Kit

Contains 3/8" V.S.R. drill and all accessories to give that finished look. Model #5755X.

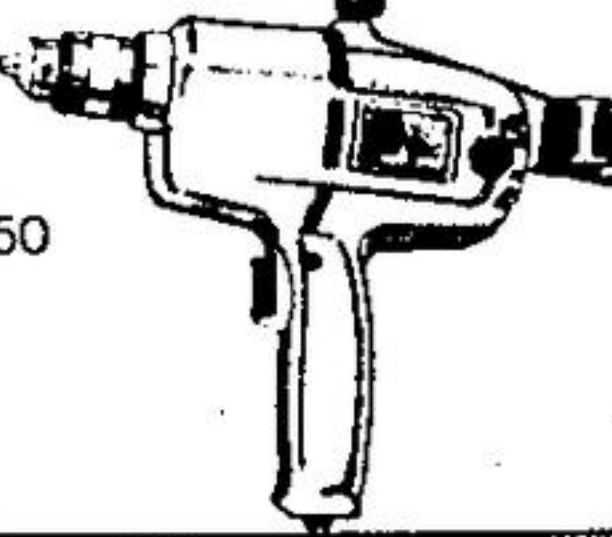
29⁸⁸



Reversing 1/2" Drill

Reversing action perfect for removing jammed drill bits. Compact size for tight spots. #7250

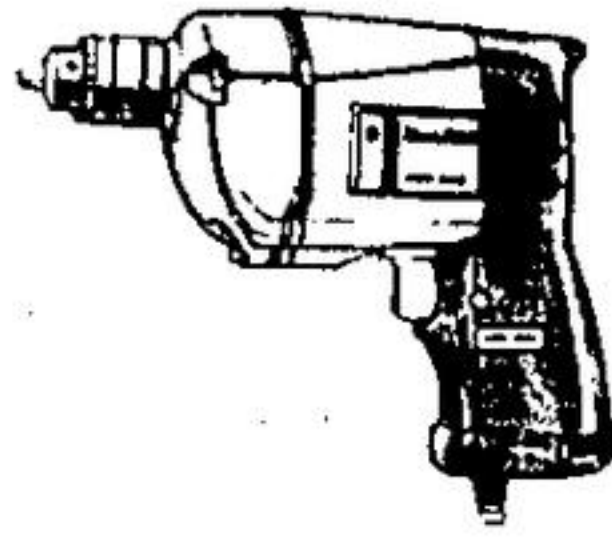
41⁸⁶



2-Speed 3/8" Drill

High speed for wood and composites, low speed for metals & plastics. #5731.

14⁷⁷



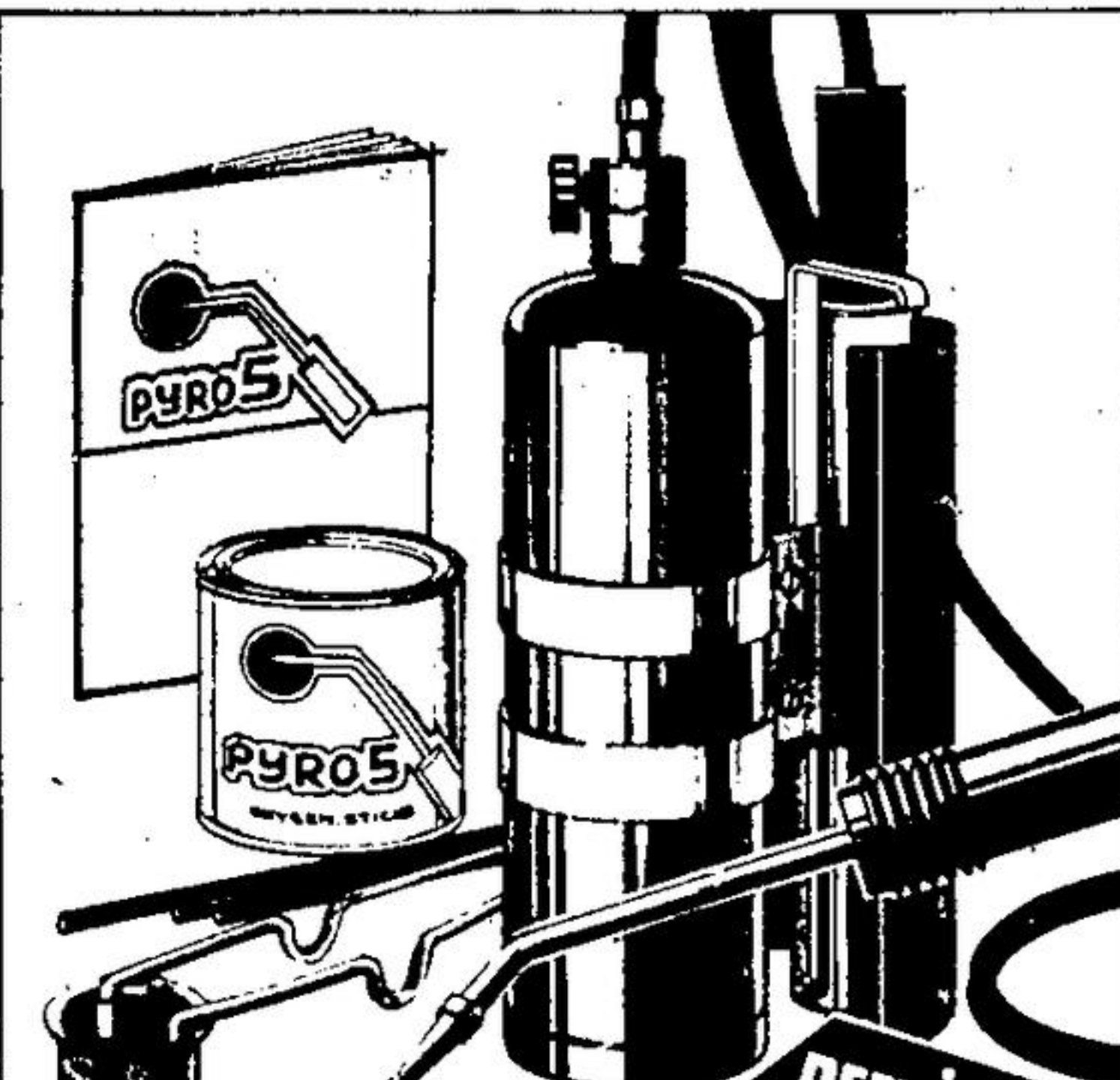
Black & Decker 1/4" Drill

- Drills most materials fast, accurately.
- With accessories it buffs, polishes, sands, cleans.
- Well balanced, comfortable, outstanding value.
- Capacity: Steel 1/4", hardwood 1/2". 2250 RPM; 120V.



Black & Decker Sander Kit

- #5733 Dual-action finishing sander.
- Dustless Sanding Attachment.
- 10 sheets asst. paper.
- Wood filler and spatula.
- The ideal starter kit.



Pyro 5 Welding Torch Kit

The safe, simple, all-purpose welding torch for handyman and hobbyist. Produces temperatures up to 5000 for welding, brazing, soldering. Compact torch weighs 7 lbs.



B&D Heavy Duty Sander

This heavy duty model has a rating for continuous production service. 9000 OPM. 11 1/2" long.

74⁴⁴ #4015

B&D Dual Action Sander

Lever control changes from orbital to straight line action. Over 25 sq. in. orbital action.

18⁸⁸ #5710

B&D Finishing Sander

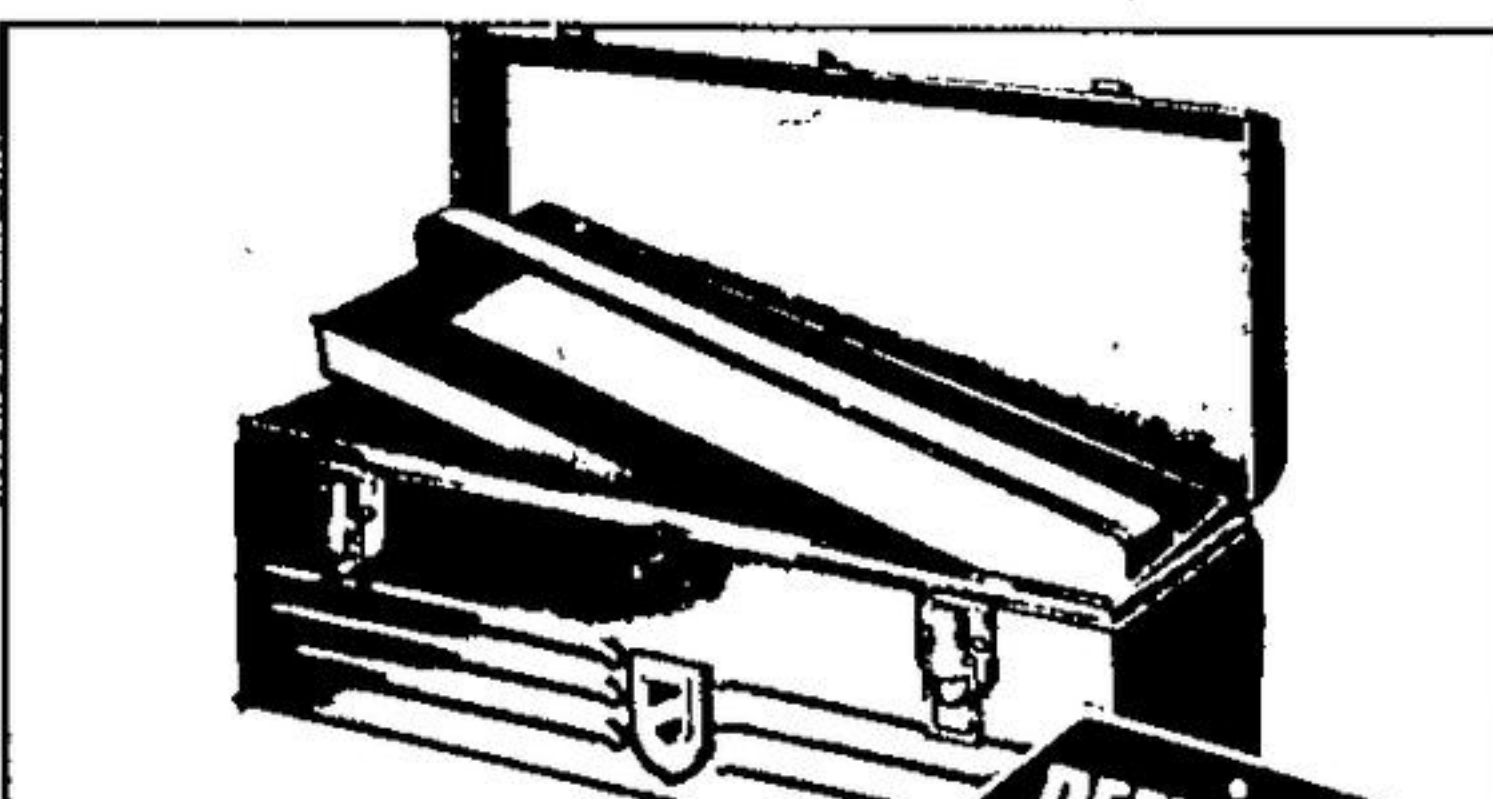
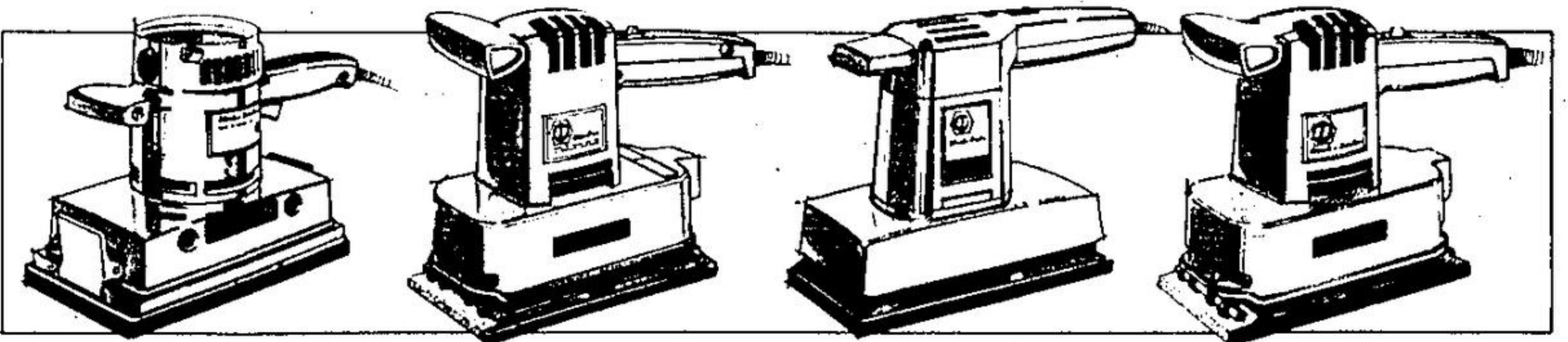
Double insulated. Perfect for fine finishing wood, metal, plastics. 10,000 OPM.

14⁷⁷ #7404

B&D Finishing Sander

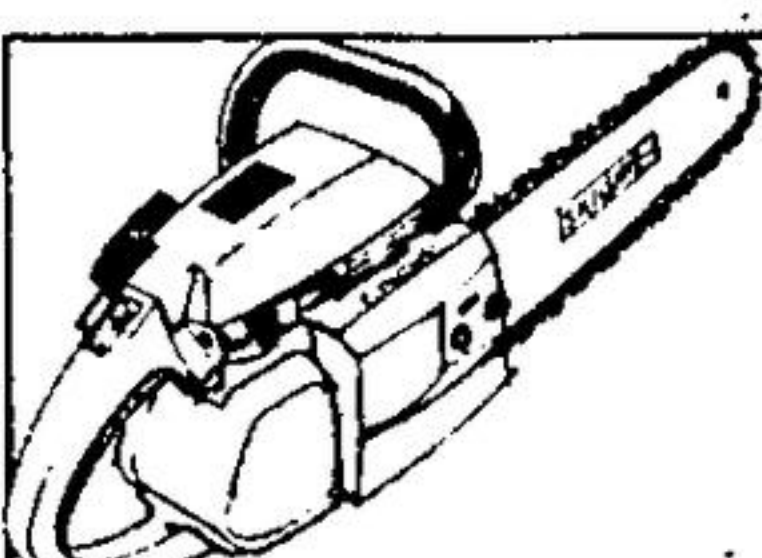
Flush sands on three sides. One hand operation. Special Clearance Price!

12⁷⁷ #5709



19" Metal Tool Box

General purpose box of heavy gauge steel. All welded assembly. Full-length piano-hinge lid. Durable blue enamel. 19" x 7" x 7".



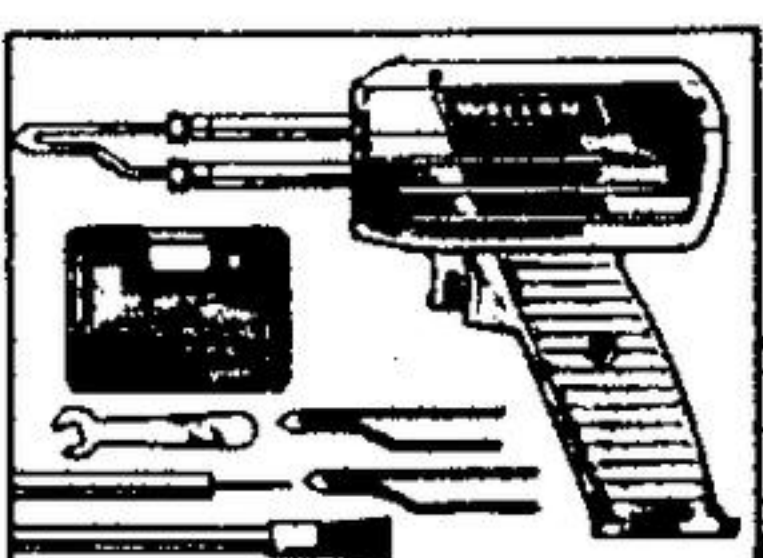
Skil 16" Chain Saw

This little giant will easily cut through trees and logs up to 32" in diameter. Powerful, yet easy to handle. Gas driven.

128²⁸ #1629

Skil 16" Chain Saw Special lightweight Model #1612

147⁷⁴

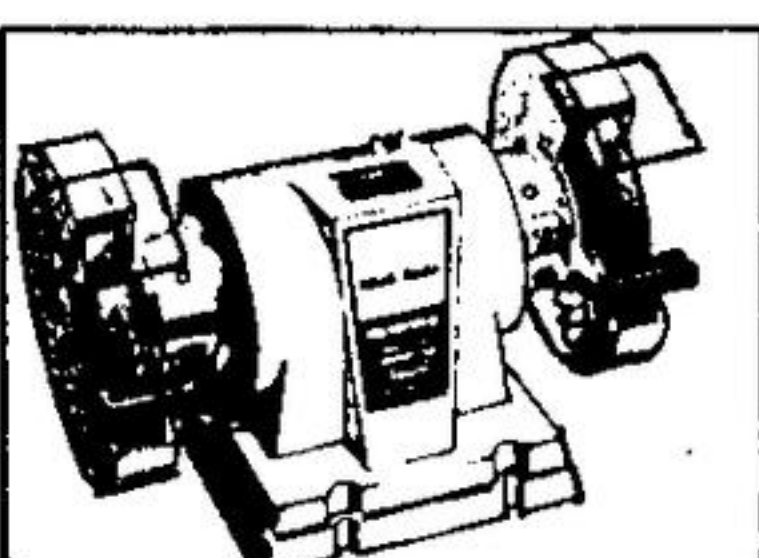


Soldering Gun Kit

Dual heat soldering gun kit in sturdy plastic carrying case. Contains 100/140 watts gun, 3 copper tips, tip changing wrench, flux brush, aid tool, and coil of 60/40 rosin core solder.

Deflation Days Price

9⁹⁸ #8200-PK

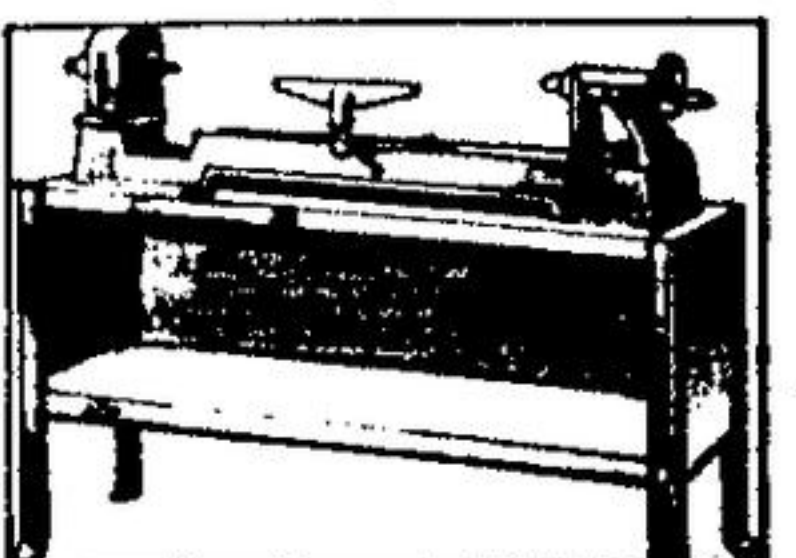


Black & Decker Bench Grinder

Grinding wheels sharpen knives, hatchets, drill bits, mower blades, etc. Features tool rests, wheel guard covers and rubber feet. Wheels included: 1/2", 5" medium grit, and 5" course grit. 3400 RPM.

Deflation Days Price

28⁸⁴ #7900



Rockwell Beaver Wood Lathe

A big capacity, quality lathe for all kinds of turning operations. Handles stock up to 11 inches over bed. Stand is included.

Deflation Days Price

157⁰⁰ #3400B