

## Beaver 20" Mower

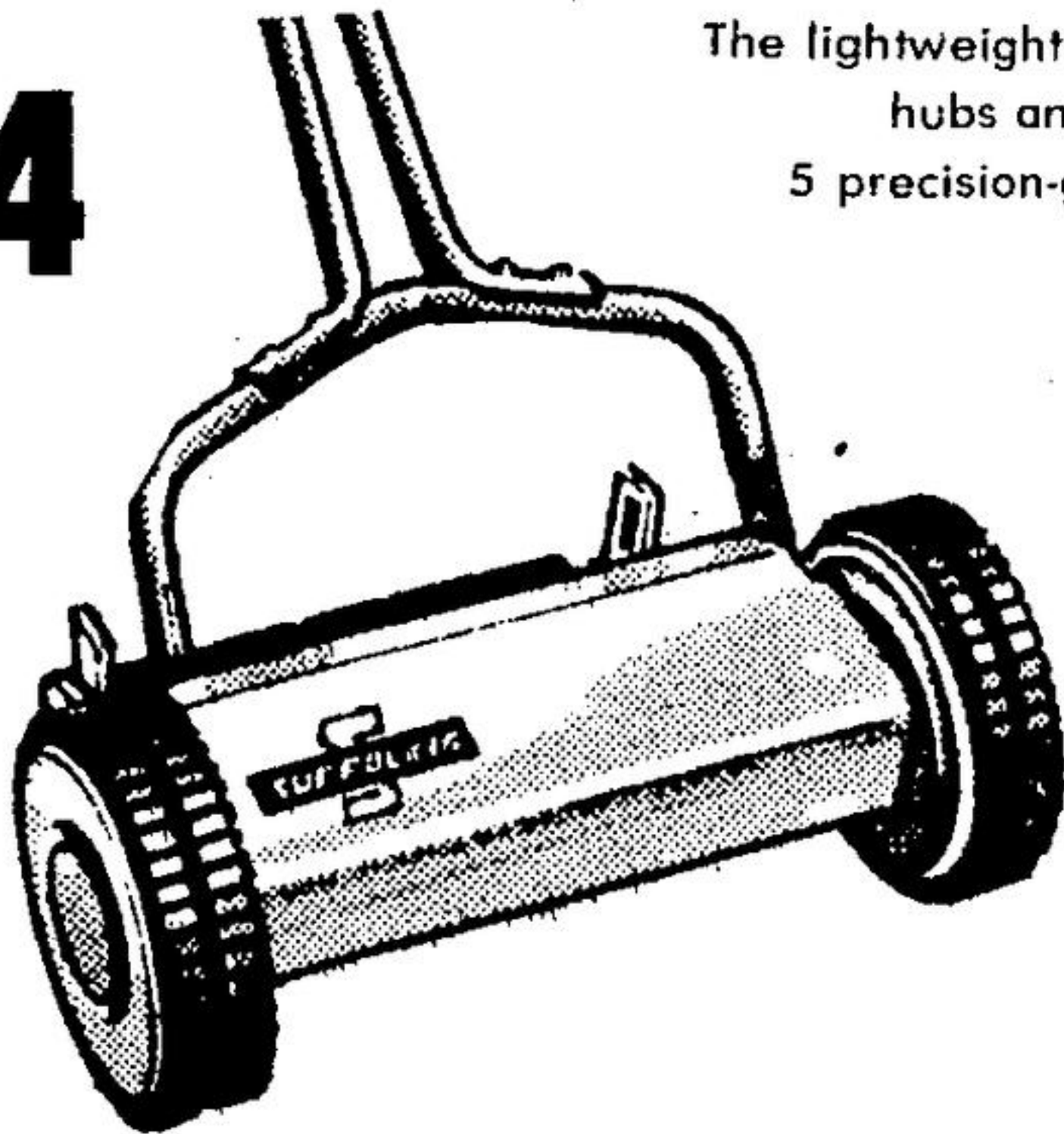
3.5 hp. Tecumseh gas motor with recoil starter. Low-profile steel deck. T-chrome steel handle carries throttle control. 7" diamond-tread tires. New Flake Red colour.



**7444**

## Suffolk 16" Hand Mower

The lightweight one, featuring tough nylon hubs and wheels with rubber tires. 5 precision-ground steel cutting blades.



**21<sup>77</sup>**



## Watering Can

Moulded plastic holds 2 gallons. Screw-on sprinkler.

**1<sup>33</sup>**

## 1 1/2-Gal. Sprayer Tank

7" galvanized steel pump with pressure safety lock. 30" hose, 12" extension. Fully adjustable brass nozzle tip.



**9<sup>97</sup>**

## Gas Lantern

Safe, dependable. Lights instantly and floodlights 100-foot area. Burns bright whatever the weather. Baked enamel tank takes 22-oz. of naphtha or Coleman fuel for 9 hours of bright light.



**17<sup>77</sup>**



**24<sup>44</sup>**

## Cordless Hedge Trimmer

No cord to tangle, cut, or tie you to nearest plug. Self-sharpening steel blades have non-stick coating. Lightweight, perfectly balanced. Complete with battery charger, lock.



## Brume Rake

Has 22 spring teeth and head width of 19". 3 1/2' wood handle.

**1<sup>88</sup>**



## Bug Killer

11.2 oz. aerosol for household and garden pests.

**1<sup>59</sup>**

## Outdoor Fogger

De-bug patio and garden. 14-oz. aerosol canister.

**2<sup>19</sup>**

## Naphtha Gas Camp Stove

2-burner Coleman for economical, dependable campsite cooking. Lights instantly for 160 sq. in. of cooking surface. Tank holds 2 pints of Coleman fuel or naphtha. 11 1/2" x 17 1/2" x 5".

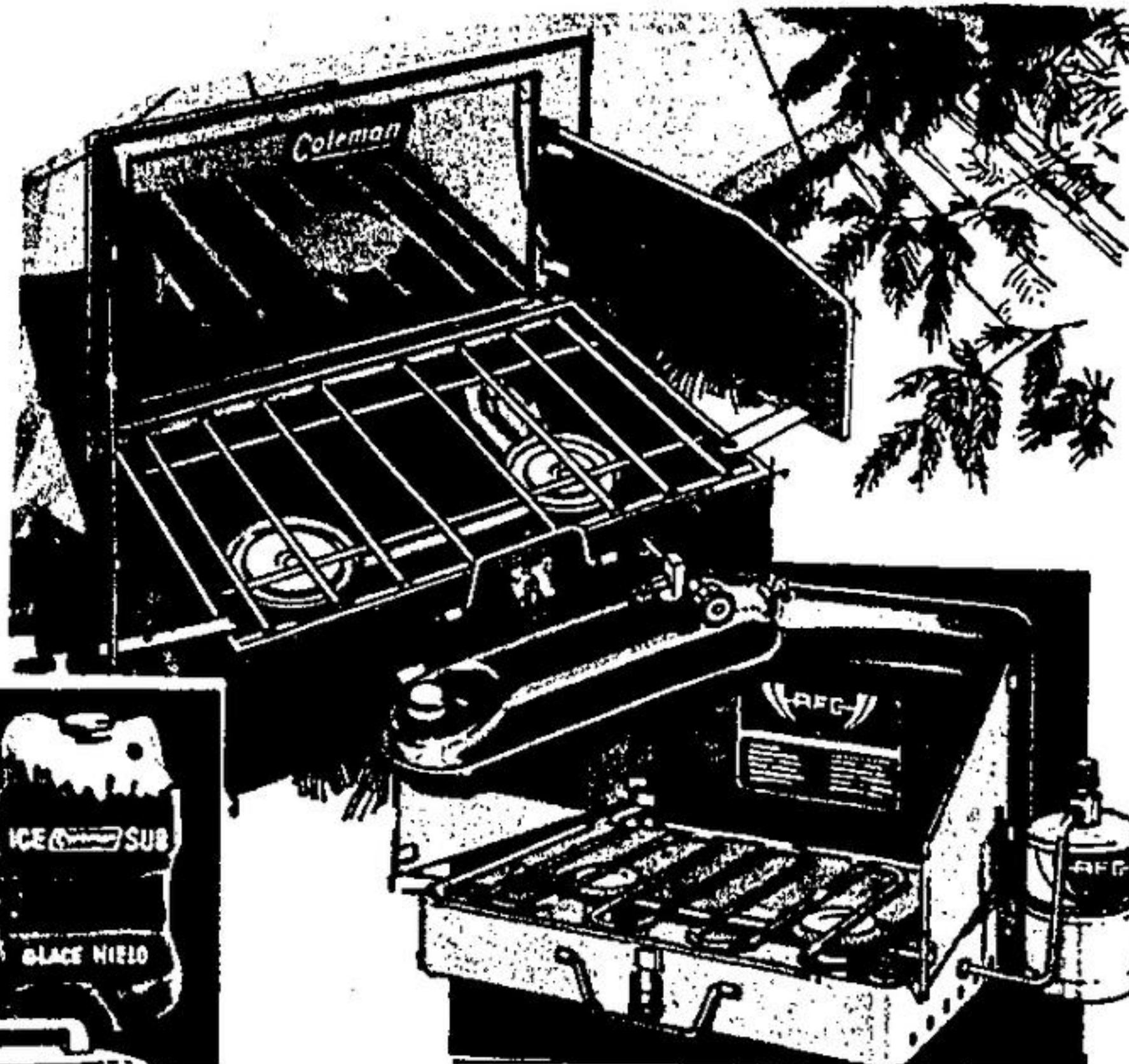
**18<sup>88</sup>**

## Propane Camp Stove

The hot, fast one! Spacious 11 1/2" x 17 1/2" cooking area with 2 burners. Easy-clean chromed burners and grille. Flame adjustment. Avocado/Gold.

**24<sup>77</sup>**

Propane tank not incl.



## 1-lb. Ice Substitute

Use it instead of ice! Gelatin in plastic bag freezes to 12" below freezing. Reusable.

**66<sup>c</sup>**

## Folding Water Jug

Tough plastic takes folding and rough use. Top spout with on/off dial. Moulded handle. 2 1/2 U.S. gal. capacity.

**1<sup>44</sup>**

## Coleman Jug & Chest

24-qt. polyethylene chest with urethane foam insulation. 128-oz. jug with spout.

**12<sup>88</sup>**



## Canadiana Sleeping Bag

Warmth without weight... water-repellent nylon cover and lining. 1 1/4 lb. polyester fill. Full zipper. Red with Maple Leaf motif on cover.

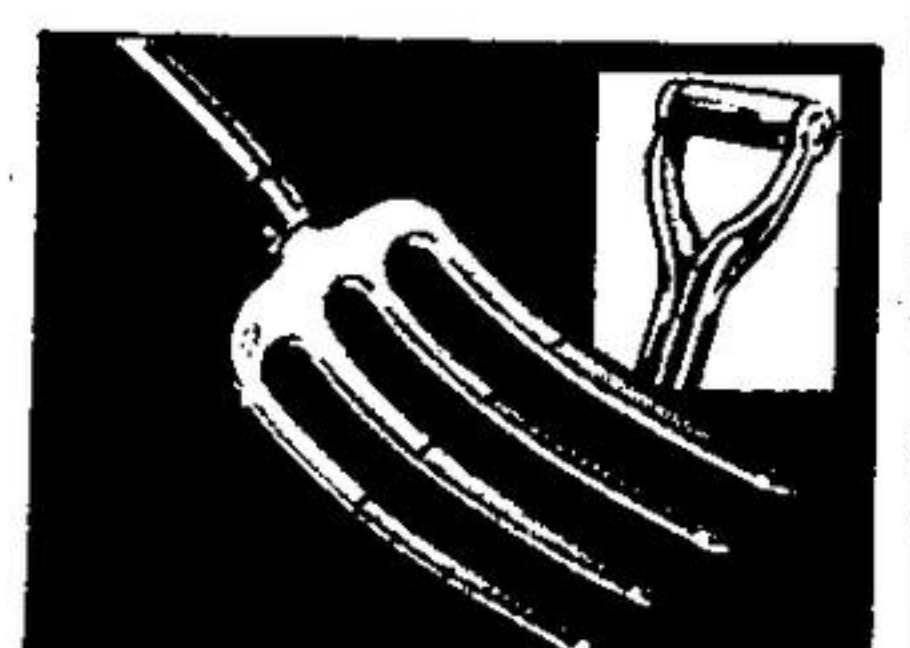
**9<sup>97</sup>**



## Garden Hoe

Electric-welded shank type steel head. 4 1/2-foot long tapered hardwood handle.

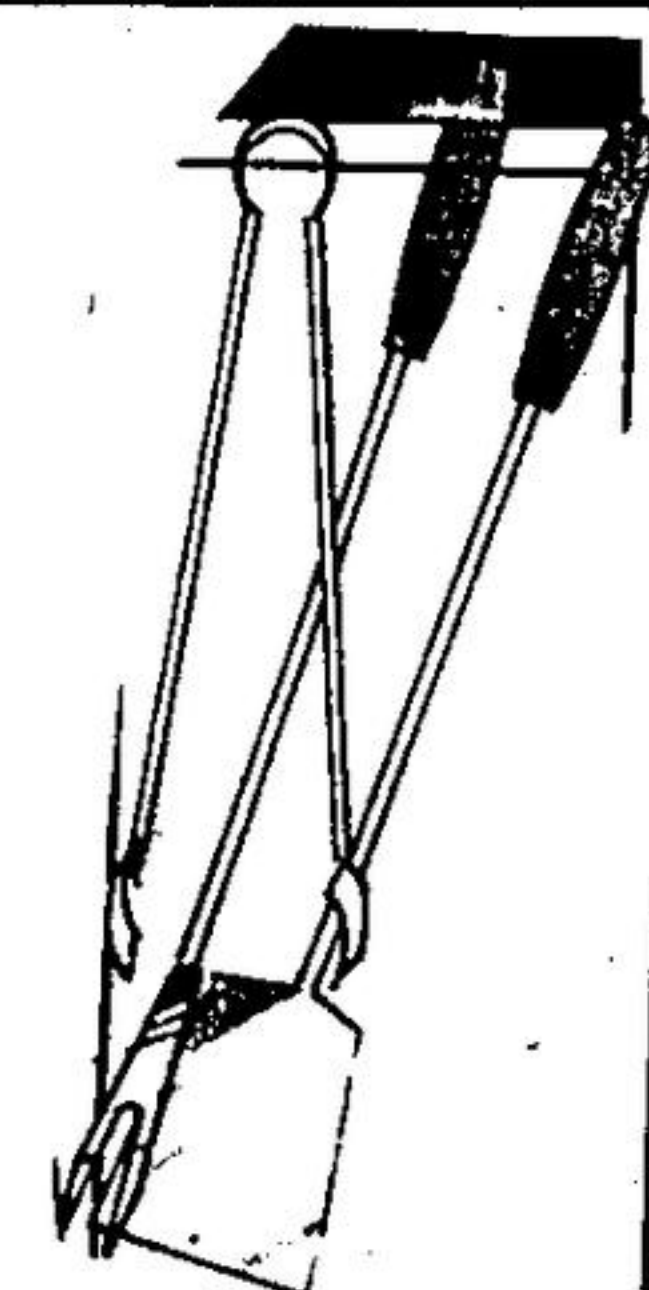
**2<sup>17</sup>**



## Spading Fork

Four 10-inch long steel tines. Steel-braced D-top on hardwood handle.

**3<sup>66</sup>**



## Barbecue Tools

**20% OFF**

in stock

Prices Effective till July 10/74