

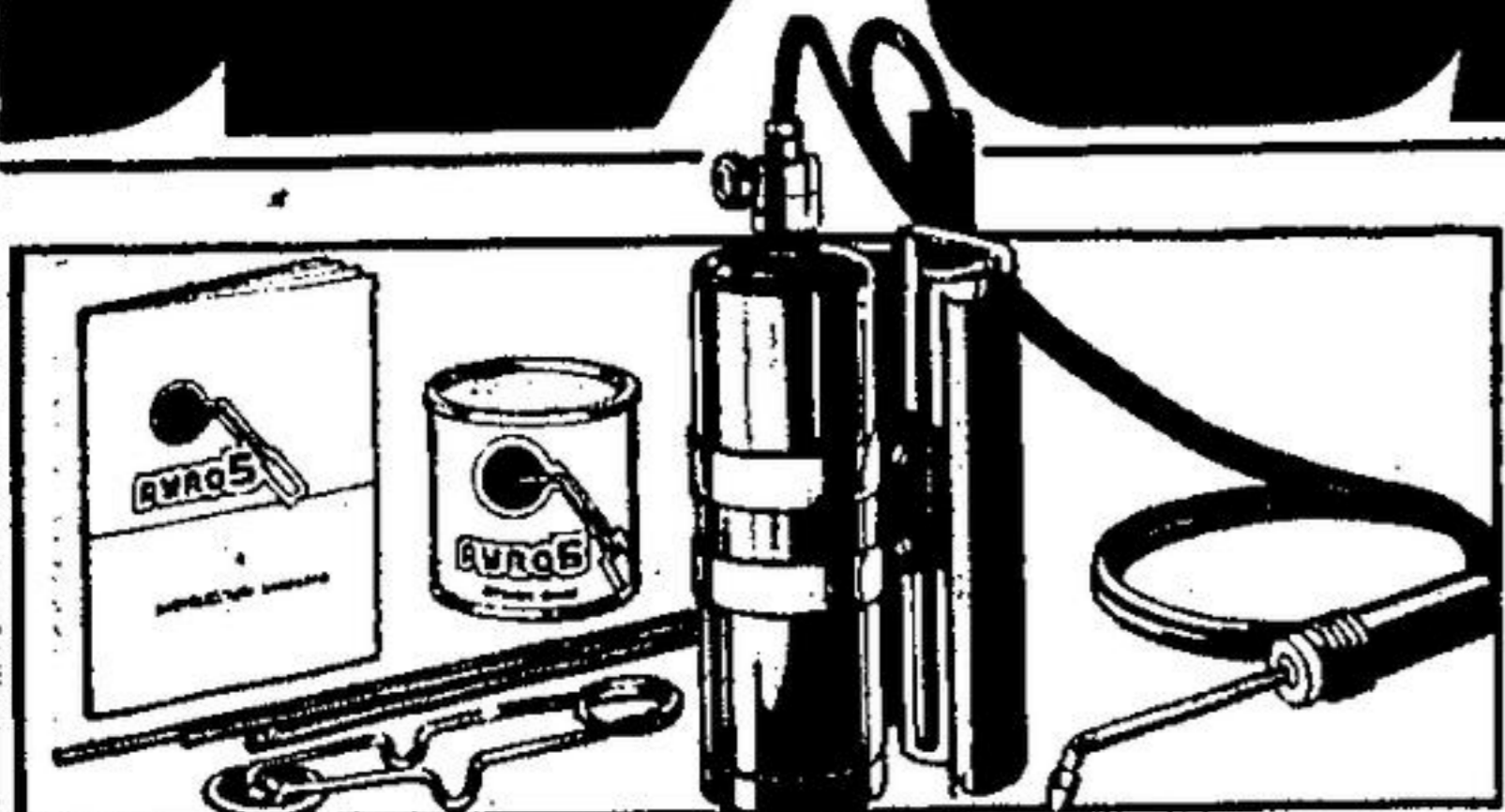
# Canada

# 4 Great Days to save on your handyman needs!

**Starts: March 6th**  
**Ends: March 9th**

# DIY SALE

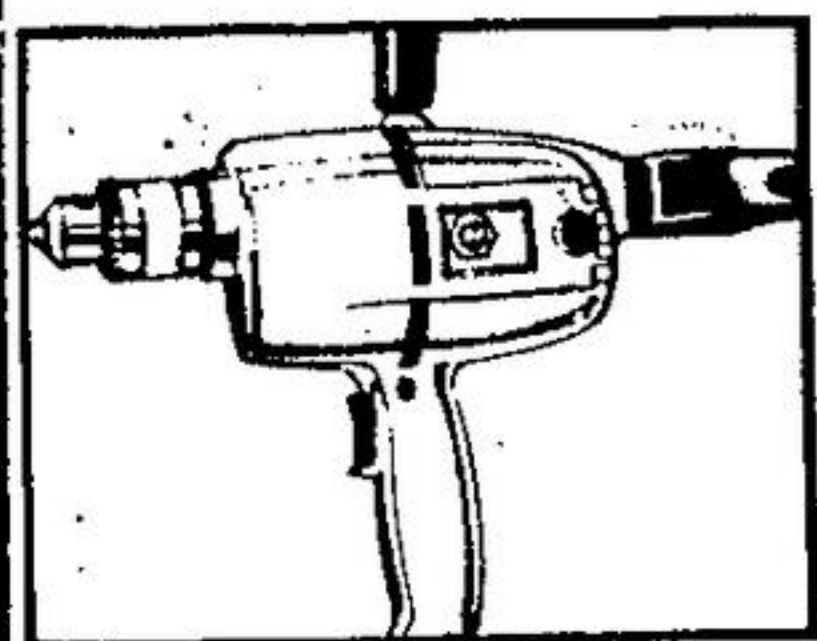
## Your Choice



### Shop or Hobby Welding Torch Kit

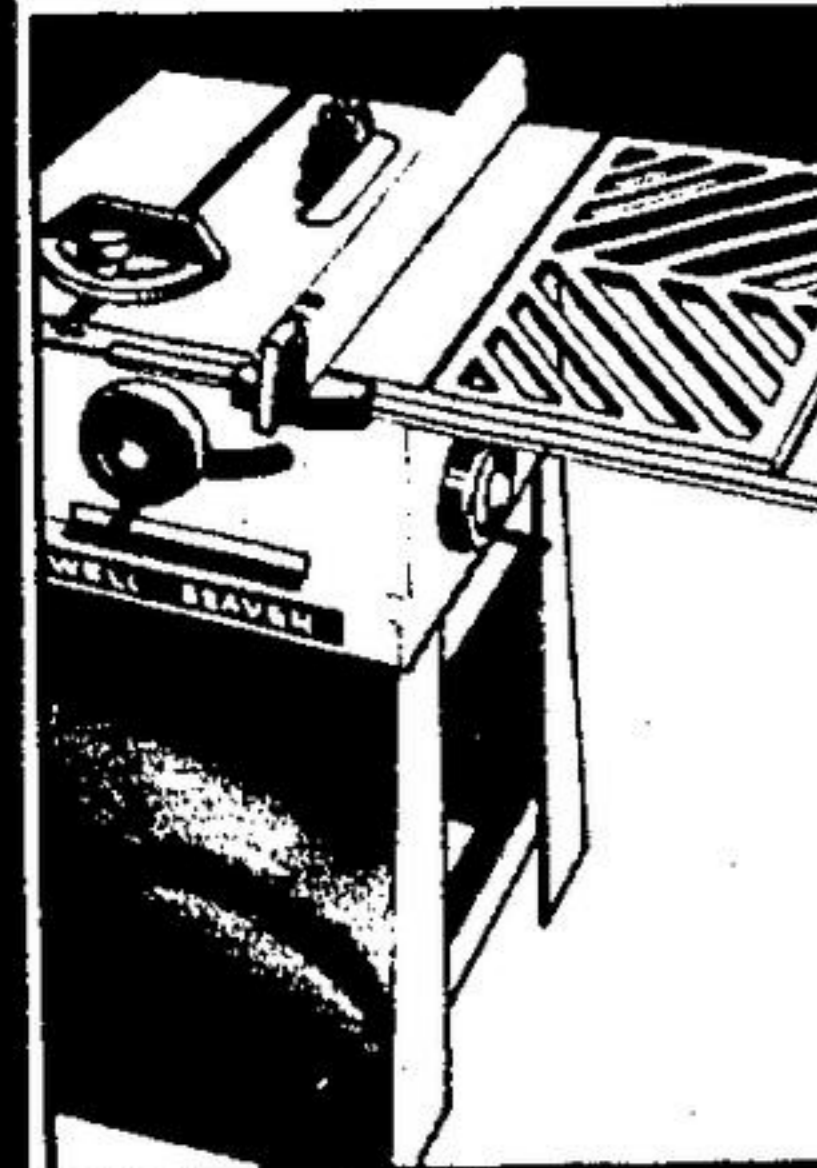
Safe and simple-to-use. Portable, economical. Kit contains: torch, 1 container of propane, 7 oxygen sticks, spark igniter, brazing rods, manual and information. Reaches temperatures of 5000° for welding, brazing or soldering.

**29<sup>99</sup>**



**1/2" Reversing Drill**  
Double reduction gearing, powerful 4.2 amp motor. Top-mounted auxiliary side handle. #7250

Save 6<sup>01</sup>  
reg. 39.95 **33<sup>94</sup>**



**B & D 3/8" Variable Speed Reversing Drill**  
Use as drill or screwdriver. Reverse switch for backing up. Double reduction gears. 2.4 amps. #7140

Save 7<sup>08</sup>  
reg. 29.95 **22<sup>87</sup>**

### 9" Tilting Arbor Table Saw

Big 22" x 38" table with extension on its own stand. Cuts stock up to 2 3/4" thick at 90°; 1 7/8" at 45°. Up-front rip fence & blade control. #6201B  
(Stand not exactly as illustrated.)

Save 33<sup>95</sup>  
**166<sup>00</sup>**  
reg. 199.95

### B & D Jig Saw

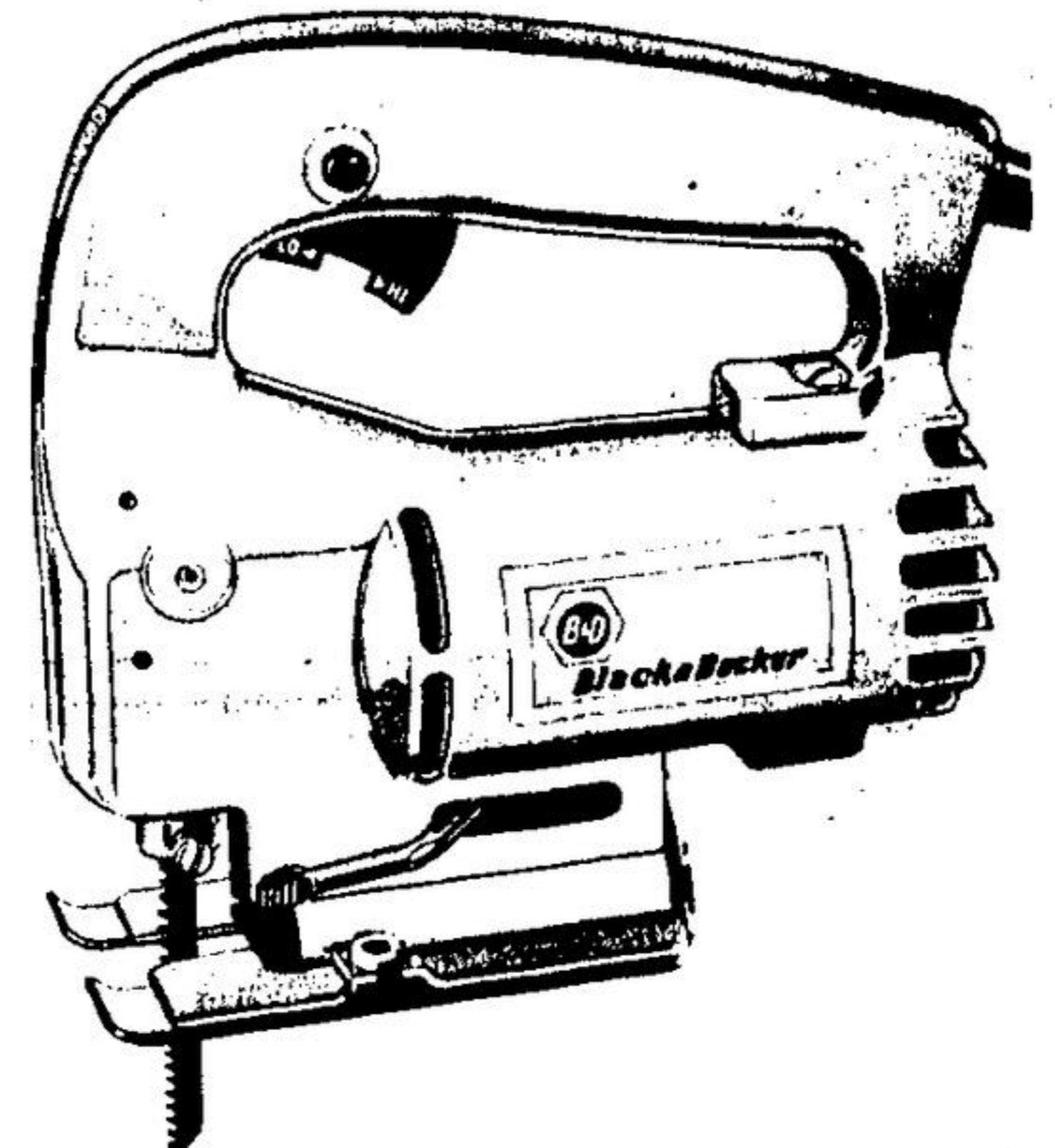
Save 12<sup>98</sup>  
Variable speed. 0-3000 rpm. Locks on to any selected speed. Tilting shoe with quick-clip. Cutting capacity 2 1/2" wood, 3/4" aluminum, 1/4" steel. Stroke length: 3/8". Bearings: 2 roller, 3 needle, 1 sleeve. #5810

### B & D Reversible 3/8" Scru-Drill

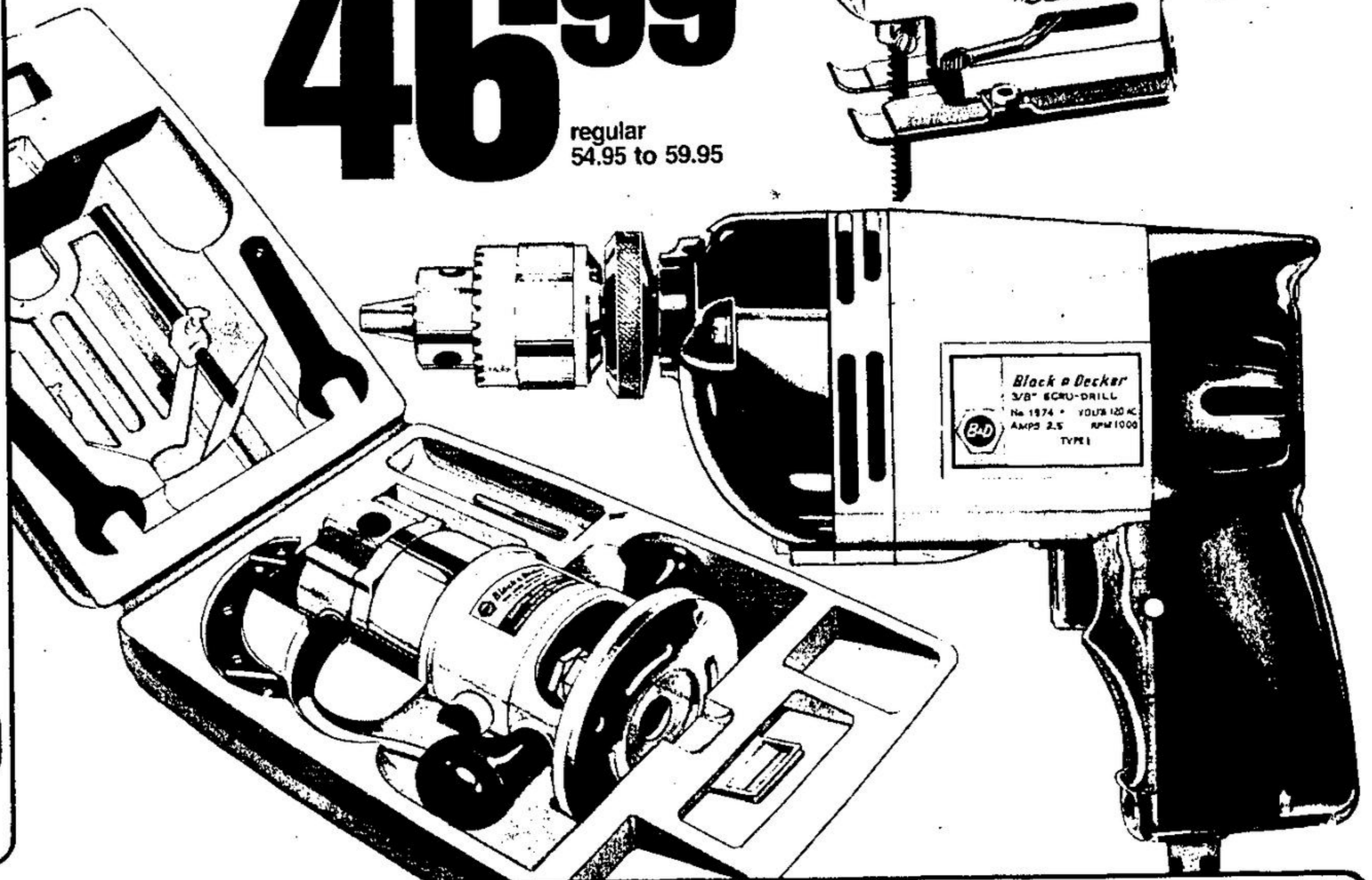
Save 7<sup>98</sup>  
Professional drill converts to screwdriver. Just turn the collar. Reversing switch for removing screws and nuts. Comfortably balanced. 2.5 amps 1000 rpm

### B & D 3/4 H.P. Router Kit

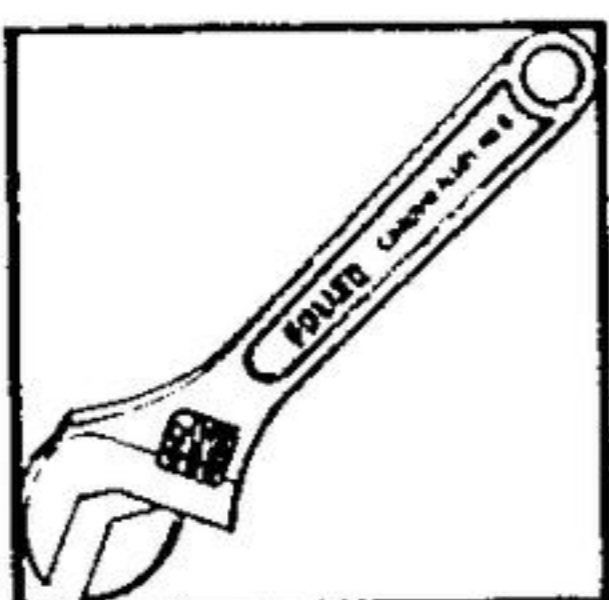
Save 7<sup>98</sup>  
3/4 H.P. motor. Burnout protected. 22,000 rpm. Routs, trims, decorates. Depth adjustment in 64ths. Incl: router, 2 wrenches, 2 guides, 1/4" high speed bit, case. #7611



**46<sup>99</sup>**  
regular 54.95 to 59.95

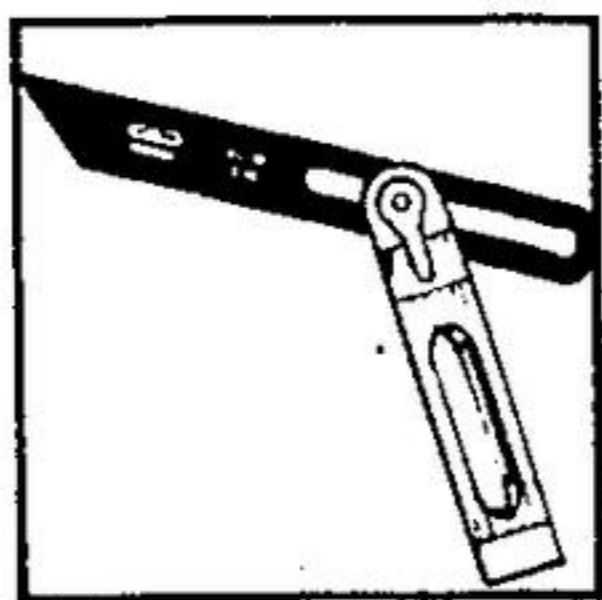


## SPECIALS CHOICE 99



**10" Adjustable Wrench**  
Save 2.96  
A necessity for the home handyman. 10" adjustable wrench is fully drop-forged and chrome plated. Compare at this low Beaver price!

Reg. 6.95 ..... only 3.99



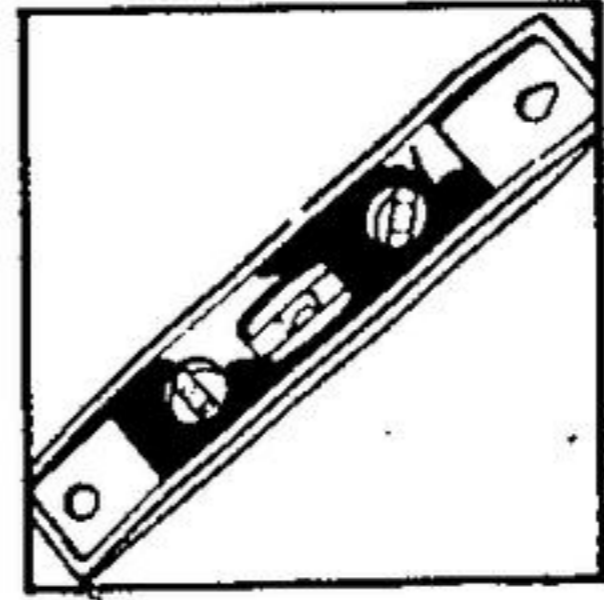
**8" Stanley Bevel**  
Save 2.06  
Hardwood handle with easy-to-use grip. Brass tips and locking device. Black finish on blade. A real buy for your home workshop

Reg. 6.05 ..... only 3.99



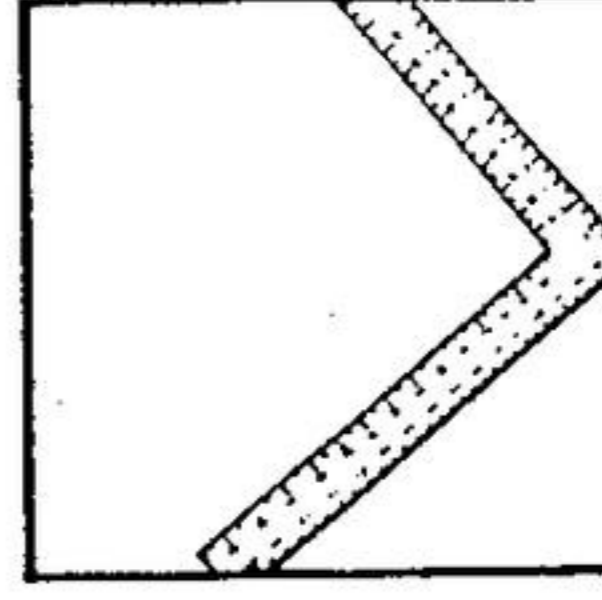
**Block Plane**  
Save 2.00  
Ideal for small woodworking projects. Hardwood knob, tempered steel cutter. Bottom and sides milled and ground smooth for accuracy.

Reg. 5.99 ..... only 3.99



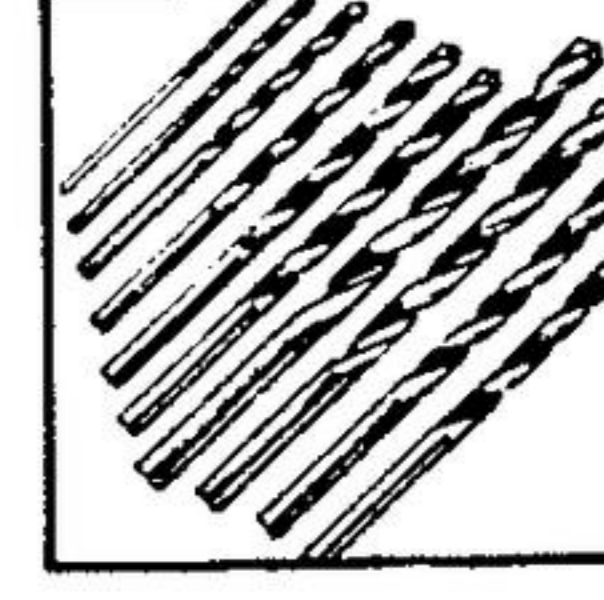
**Stanley Torpedo Level**  
Save 1.90  
9" level with cast aluminum body. Three 360° vials. Moulded plastic vial cover plates allow quick vial replacement on-the-job.

Reg. 5.89 ..... only 3.99



**Stanley Flat Square**  
Save 2.50  
Graduated in 8ths of an inch. Coppered, lacquered finish. 24" x 2" body. 16" x 1 1/2" tongue. No workshop should be without one.

Reg. 6.49 ..... only 3.99



**10-Pc. Steel Drill Set**  
Save 96¢  
Ten high-speed steel drill bits. Precision ground for fast cutting. In sizes from 1/16" to 1/4". Comes in a handy plastic case.

Reg. 4.95 ..... only 3.99

reg. 4.95 to 7.95