

Let's talk about horses

By Jennifer Barr
Most of us think rabies is something that happens to other people. So did Jo Johnston, R.R. 2, Rockwood, until Feb. 11 when her mare, Misty was bitten by a rabid fox. Jo is now existing for six weeks watching the shadow over Misty whose chances of escaping the dreaded disease are pretty slim.

Husband, Eric, opened the barn door for the usual nightly chore of putting in their three horses. There at Misty's feet was a very live, very rabid fox and Misty sported a nasty bite on her face.

Immediate action disposed of the fox which was then sent for autopsy. Misty was attended to and the other horses examined by vet Dr. Cliff Young. As Jo said "It was lucky Misty is white. Her cut showed up well. But we don't know if the other horses received tiny wounds or not." They are also glad Eric found the fox or Misty's bite would have been passed off as a fence cut.

Maybe death
Now the fun begins. Rabies symptoms take four weeks to manifest themselves. Nothing can be done until that time except to quarantine the farm and watch all the animals closely. After four weeks, Misty will be isolated in case she tries to savage another creature in the early stages of the disease. If Misty, or the other horses, display any symptoms, they will have to be destroyed.

Present law states that once an animal is bitten no other animal on the farm may be inoculated. The theory behind this is that it slows down the process of the disease and may mask symptoms thereby endangering other people.

If rabies symptoms develop the horse will exhibit abnormal behaviour, an inclination to bite and kick, and general malaise.

Skunks and foxes seem to be the most common carriers of rabies in this, one of the worst years for the disease. Rabies shots are a must for any pet owner. Dog and cat clinics will hopefully be held soon at area halls. Livestock can be inoculated by a vet.

It may seem an unnecessary nuisance to inoculate all your horses. Yet talking to Jo Johnson, so upset and worried about Misty who has yet to go through the worst of her horrors, has pushed me into action. Don't delay, phone your vet now.

Obituary

Anna Dyriw funeral Feb. 9

After a short illness, Anna Dyriw died on Thursday, Feb. 7 in her home on Willow St.

Mrs. Dyriw was born in the Ukraine, coming to Canada in 1924, and was married in Toronto to the late Michael Dyriw, who predeceased her in 1960. She leaves to mourn her loss two daughters, Olga and May.

Requiem Mass was celebrated on Saturday, Feb. 9 at 11 o'clock, in St. Joseph's Church, Acton, by Father J. Lewycky of Guelph. Interment was in St. Joseph's Cemetery.

Pallbearers were M. Iwanzyszyn, S. Suda Sr., S. Suda Jr., R. Suda, W. Cyhan, all of Toronto, and S. Hilkewich of Burlington.

She attended St. Joseph's Church, Acton, and St. Mary's Ukrainian Catholic Church, Guelph.

H.S. HOLDEN

OPTOMETRIST
34 Cork St. East
GUELPH
Phone 822-7150

Choose it

from Canada's largest rental fleet of GM cars and GMC trucks.

& Charge it

Tilden honours most credit cards



TILDEN

ANDREW MURRAY
MOTORS
45 Mountainview Road N.
877-4944
GEORGETOWN

BEAVER

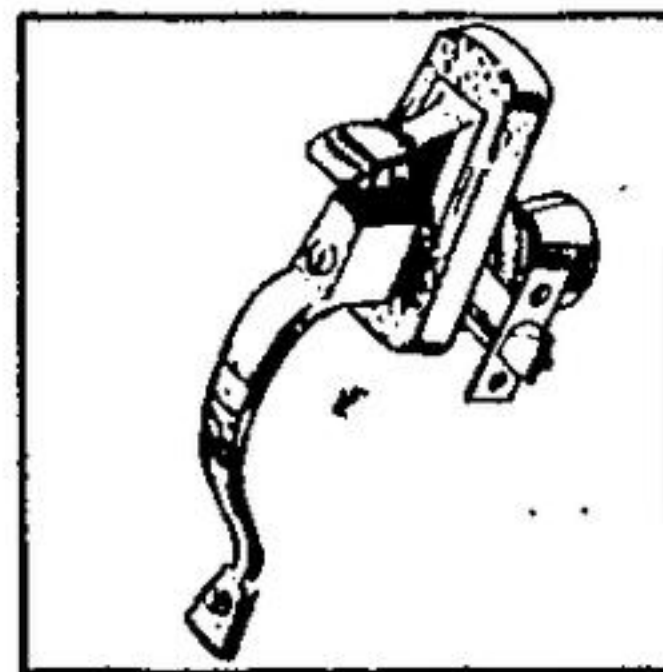
has more in **74**

everything you need to make it on your own.

Antique gripset

(A) Attractive hammered old iron pattern outside with polished Bronze/Dull chrome inside. Guarded door bolt for more security.

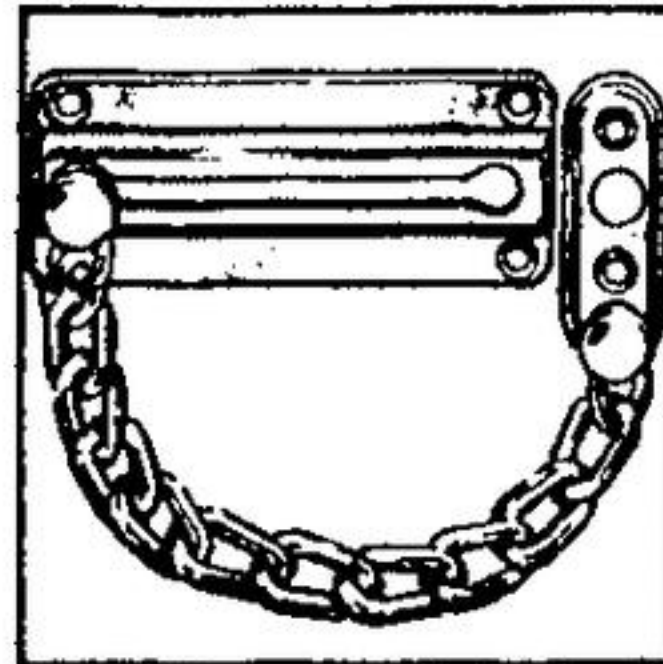
33⁵³



99¢

Chain door guard

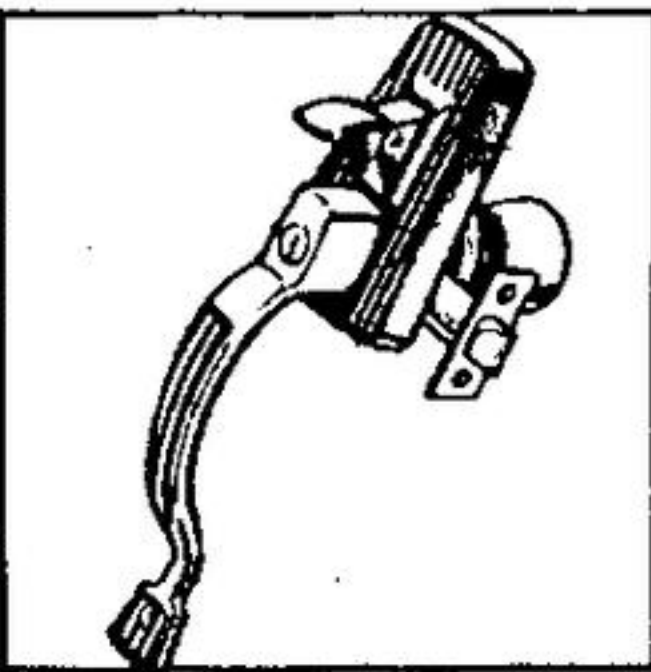
(F) Solid Brass case with Brassplated, hardened steel, welded chain. Polished finish. Easy to install.



Modern gripset

(B) Solid Bronze with striking satin, oxidized or relieved look. Extra strong for long life. Self-lubricating bearings.

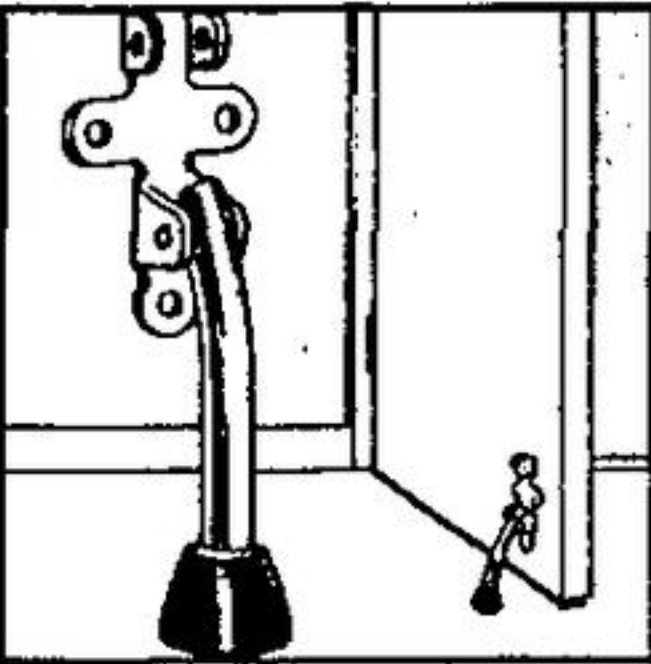
32³³



88¢

Door holder

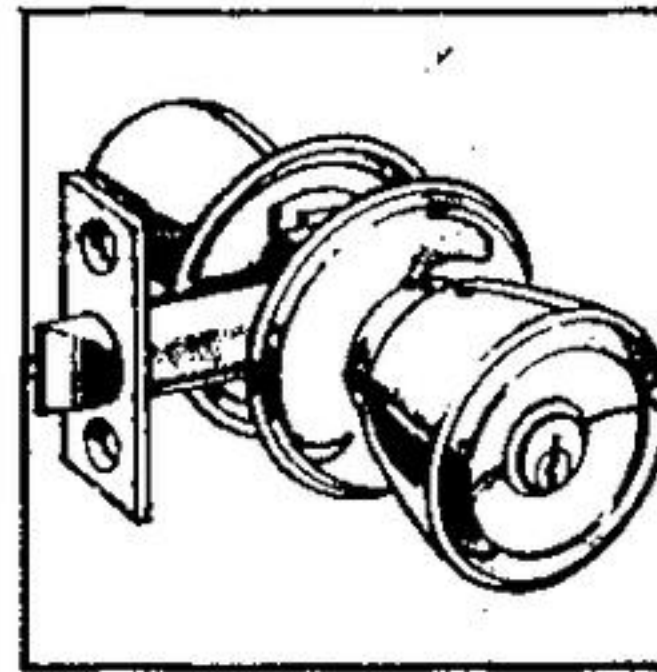
(G) Strong steel construction. Brass plated finish. Black rubber tip. Lever-type action. Flips up or down. Self-storing.



Key-in-knob lockset

(C) Two-tone Bronze and Chrome finish. Rugged construction for years of use. Guarded door bolt security. Easy to install.

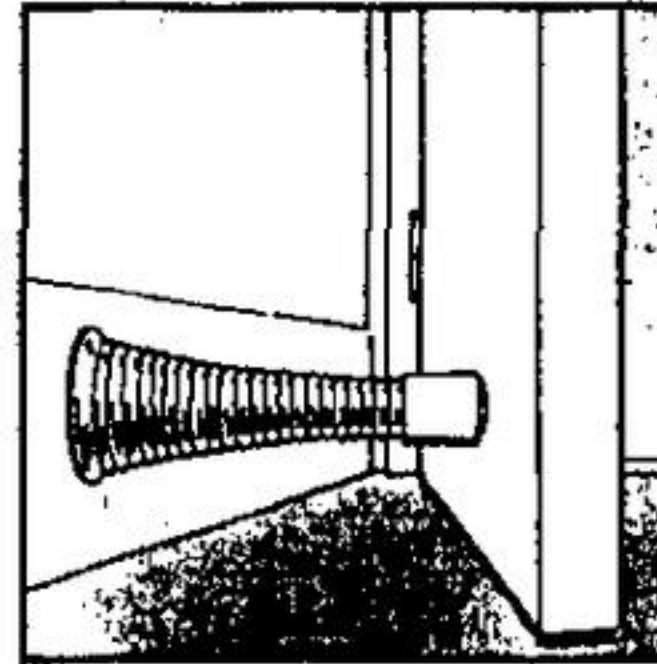
11⁸³



14¢

Door stop

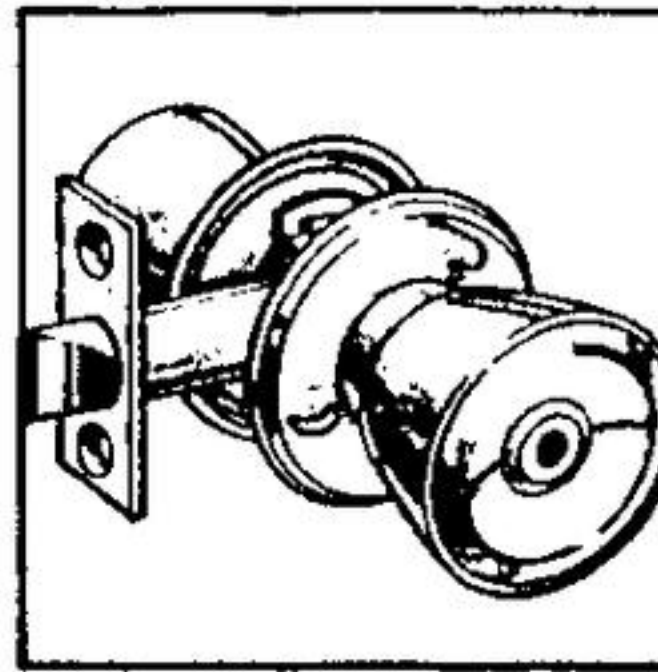
(H) This tapered spring is strong and flexible. White bumper lip. Available in Brass or Bronze plated finish.



Bath set

(D) Attractive Bronze and Chrome split finish. Interior push-turn lock with emergency outside release feature.

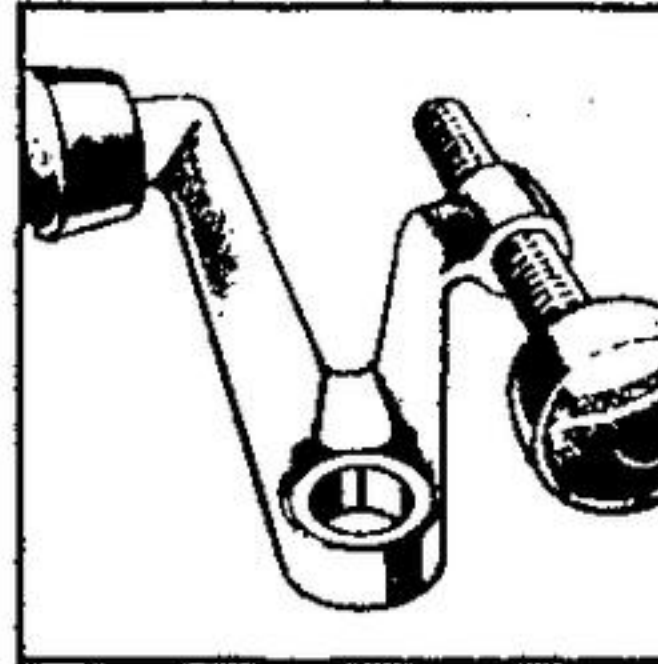
5⁹³



55¢

Hinged door stop

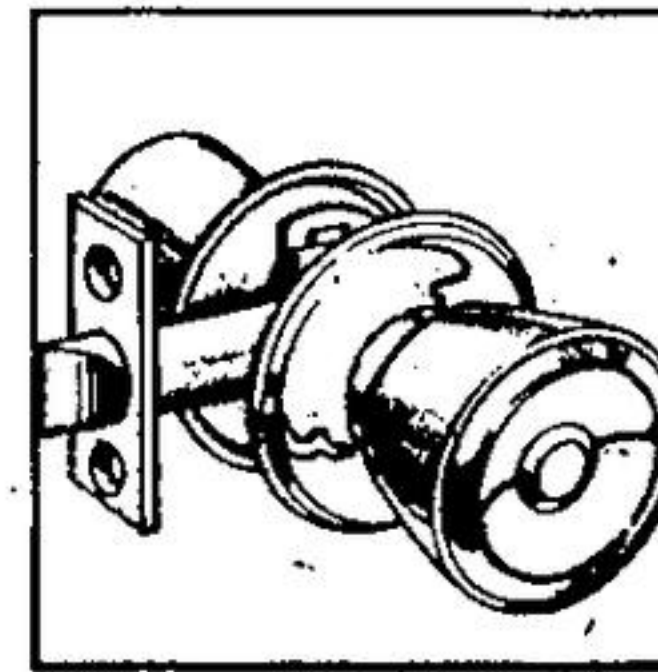
(K) Die cast in Brass finish. Two rubber bumpers. Adjustable to restrict door opening from 70°-100°. Easily installed.



Passage set

(E) Quality Brass, Bronze and steel construction. Two-tone finish. Damage and abuse resistant. Easy to install.

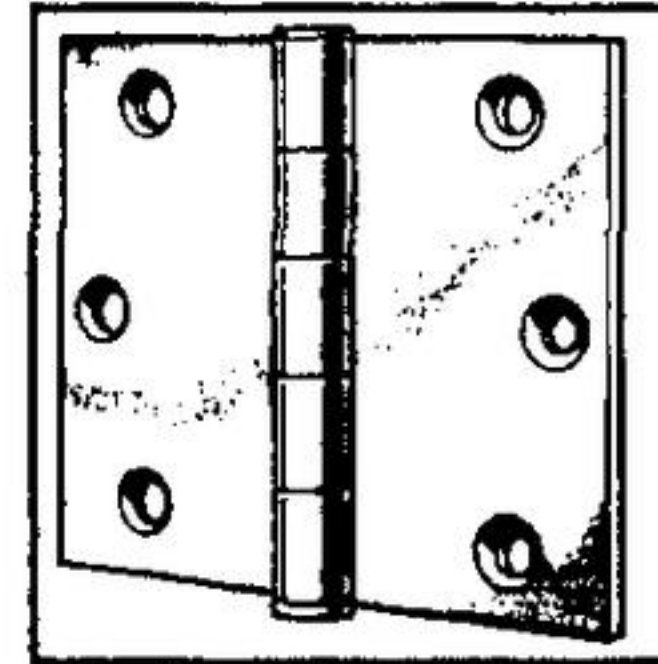
4⁷³



63¢ pr. 3"x3"

Door hinges

(M) Wrought steel with Bronze plated finish. Bottom hole for easy pin removal. Exterior hinges. 3 1/2" x 3 1/2". 73¢ pr.



Door shopping made easy at all Beaver stores

'Calypso' folding door

(P) Patented solid core construction and extra heavy vinyl covering. Beige. Complete with hardware. 32" x 80"

14⁹⁷

Mahogany slab bifolds

(R) Complete with track. Ideal for small spaces. 3' x 6' 8" - \$19.97
4' x 6' 8" - \$29.97

14⁹⁷

Louvered cafe doors
(U) In Pine. With hardware. 32" and 36" wide openings. \$17.77

For 30 opening **16⁷⁷**

Mahogany slab door

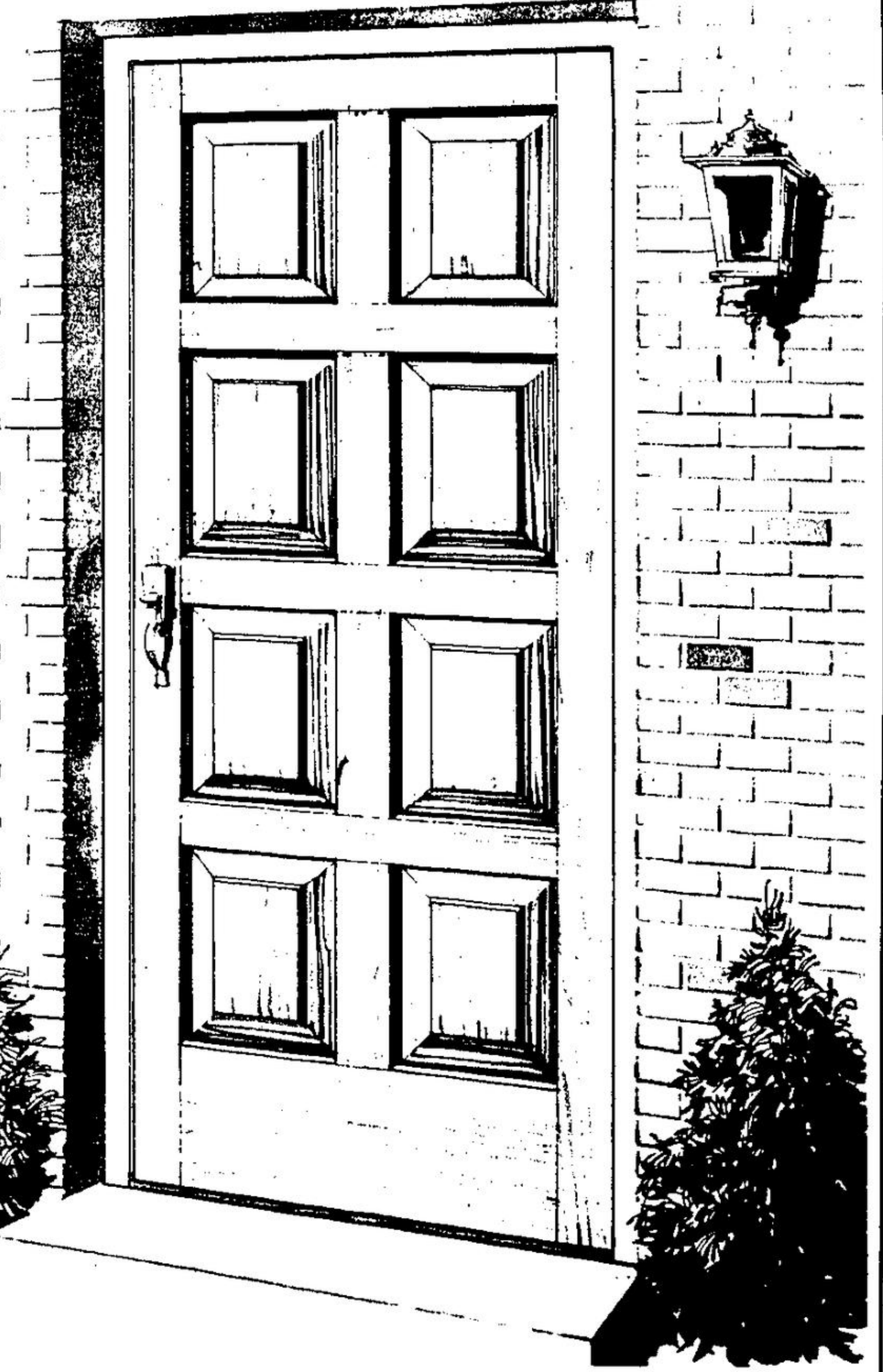
(V) Stain grade doors. 1 3/4" thick. All are 6' 8" high. 2' 6" wide. Only \$10.47
2' 8" wide. Just \$10.97

2' 4" wide **9⁷⁷**



Cedar Entrance Doors 54⁹⁵

(N) Now you can have the beauty of B.C. Cedar at an attractively economical price. This beautiful door is a full 1 3/4" thick. Truly outstanding value! 8-panel style and rail design in 32" x 80" or 34" x 82" sizes.



BEAVER handyman tips

No. **19** in a series

Hanging Your New Door

Measure your door for width and height. Now cut it to fit the door frame. Plane the edges. Position the door in the opening. Insert wedges to give the door the appropriate clearance. (Bottom: 1/4", unless the door opens over a rug, then it should be 1/2". Top & Side clearance: 1/4") Position the hinges about 6 to 7 inches from the top of the frame and

about 10 or 11 inches from the bottom. Mark the position of the hinges on both the door and the door frame at the same time. Remove the door from the frame and cut the mortises for the hinges with a wood chisel. Install the hinges, making sure that the hinge leaf is flush with the edge of the door. And there's your new door. You did it all with a little help from Beaver.

4019



OPEN

9 a.m. to 9 p.m. Monday to Friday

Saturday 8:30 a.m. to 6 p.m.

316 Guelph Street E., Georgetown — 877-2234