

**HIGH SCHOOL MONTH AWAY FOR GLEN SCHOOL GRADS**

TIME IS RUNNING OUT for Grade Eight grads taking a two months' recess before plunging into a whole new life at the high school level. In this picture of Glen Williams Public School grads are (front row from left) Shirley Hancock, Joanne McKeown, Shelley Williams, Darlene Cuthbert, Jackie Gray, principal Ralph McKeown, Teresa Colpitts, Gerd Nielsen, Clara Bishop, Carol Blakemore, Kay Ashley. Back row from left, Cor Adams, Kurt Nielsen, Greg Duncan, Bob Fendley, Brian Preston, Barbara Thompson, Sandy Lorrman, Norman McGowan, Ken Engleby, Sye Vandermeer, Dennis Pedwell, David Reynolds, and Brian Hills.

**Nursing Classmates Attendants At Grasby-Anderson Wedding**



MR. AND MRS. ROBERT GRASBY

Two classmates of the bride were her attendants when Susan Mary Anderson, daughter of Mr. and Mrs. Gordon Anderson of Victoria became the bride of Robert Leslie Grasby, son of Mr. and Mrs. Earl Grasby, Norval on June 28.

The ceremony was performed by the Rev. Johnson in Trinity Anglican Church, Campbell's Cross which was decorated with pink and white carnations. Robert Rix was organist and Mrs. Georges Grasby, sister in law of the groom, sang Ave Maria and O Perfect Love.

The bride who is a student nurse at Guelph General Hospital wore silk tulle with a sleeveless fitted bodice, draped cummerbund and a bell shaped skirt which flowed into a chapel train. She wore a jacket with tiny buttons down the back and elbow length sleeves. Jacket and bodice were trimmed with guipure lace. A pearl crown beaded dress held an elbow length silk illusion veil, with scalloped hand rolled edge. She carried a bouquet of pink and white carnations.

The maid of honour, Miss Jean Currie, Guelph, bridesmaid Miss Judith Craig, Palmerston and junior bridesmaid Wendy Keen of Don Mills, the bride's cousin, wore floor length sheaths of shrimp chiffon with empire waistlines edged with peau de soie and peau de soie back bows. The gowns had bateau necklines and elbow length sleeves. They wore wedding ring headbands of matching satin and tulle veiling and carried bouquets of white carnations and shrimp ribbons.

Mr. Anderson gave his daughter in marriage in the double ring ceremony. Douglas Moore, Georgetown, was the groomsmen and ushers were Keith Connell, Preston and the bride's brother David Anderson.

A reception was held in the LAW Hall, Brampton, where the bride's mother received, wearing a pale blue silk shantung sheath, matching jacket and a corsage of pale pink roses and carnations. The groom's mother also received, wearing a pale rose silk and tulle dress and a corsage of pale pink roses and white carnations.

**Five Young Athletes Seek Honours Farmer Field Day**

Five Halton Junior Farmers are doing this year. Orders for fire extinguishers can be made from any variety of Guelph, on August 14. In the Track and Field section we will be cheering for Charlie McFeters and Jeff Nurse. Charlie will be entering the 100 yard dash while Jeff will be trying for top honours in the 500 yard dash. Larry Campbell will be competing in the Men's Running Broad Jump, also.

Plans are taking place for the celebration of 50 years of the Junior Farmers in Halton. The date hasn't been set definitely, but the end of October has been mentioned by the committee. For the past week, Ray Belanger, the delegate on the Alberta exchange has been a guest at the home of the provincial director, Ed Segsworth of Burlington. Ray has been busy touring Halton County and surrounding districts with his host. Apparently he found farming methods somewhat different in Ontario from what he is used to in Alberta.

Arrangements are being made for a weekend bus tour to Detroit for the Halton Juniors in September. Plans include a tour of the Ford Museum, Greenfield Village, Cinerama and perhaps a Detroit Tiger baseball game. Since the bus is limited to 41 passengers, Juniors are reminded to submit their names immediately to their respective club presidents before September 1.

Reports from the sale of fire extinguishers from the local clubs are very good. The sale of these fire extinguishers along with Slow Moving Vehicle signs are the project which the Juniors are reminded that the C.N.E. Judging Competition will be held on September 3rd.

The date for the next county board is September 1st.

**ASHGROVE**

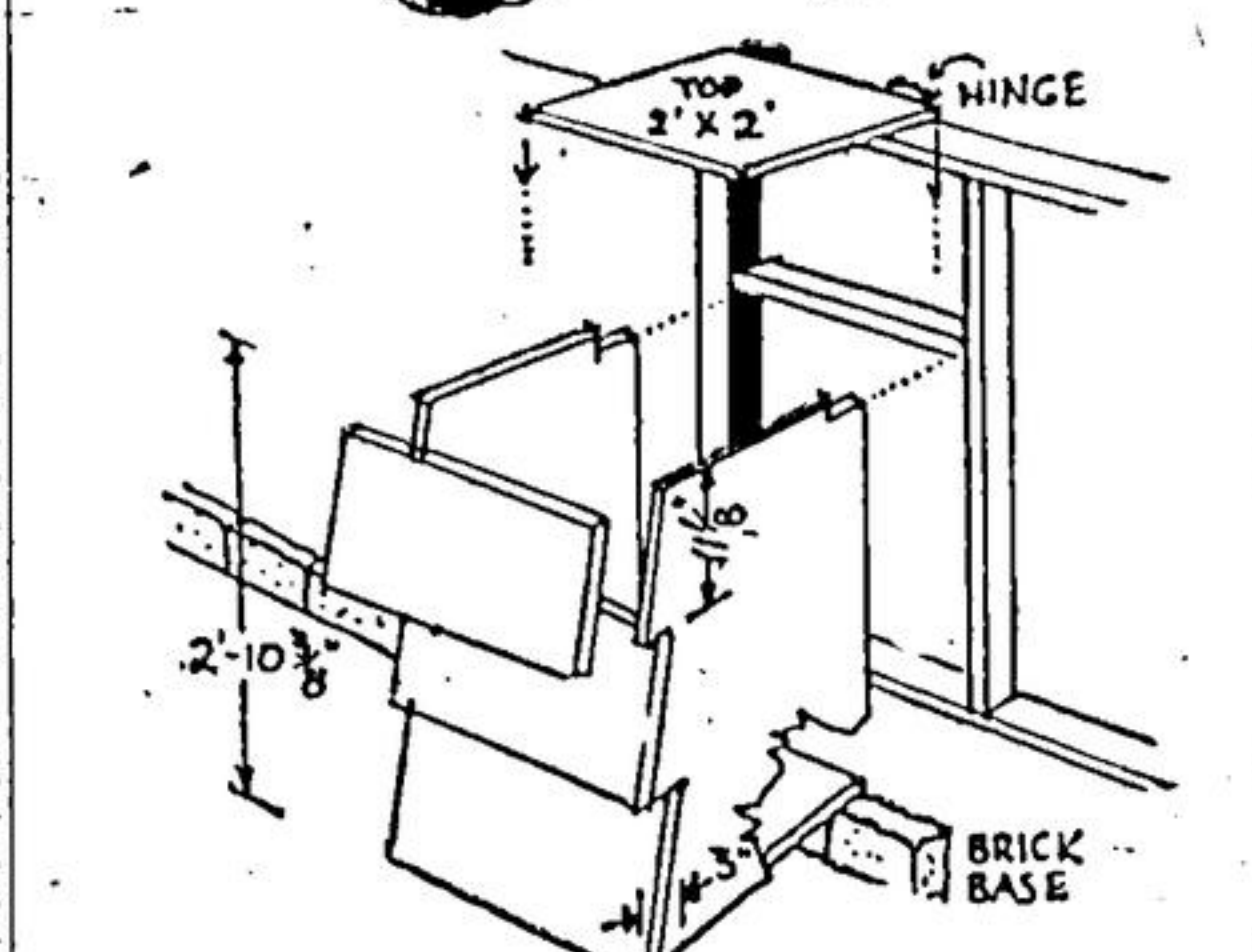
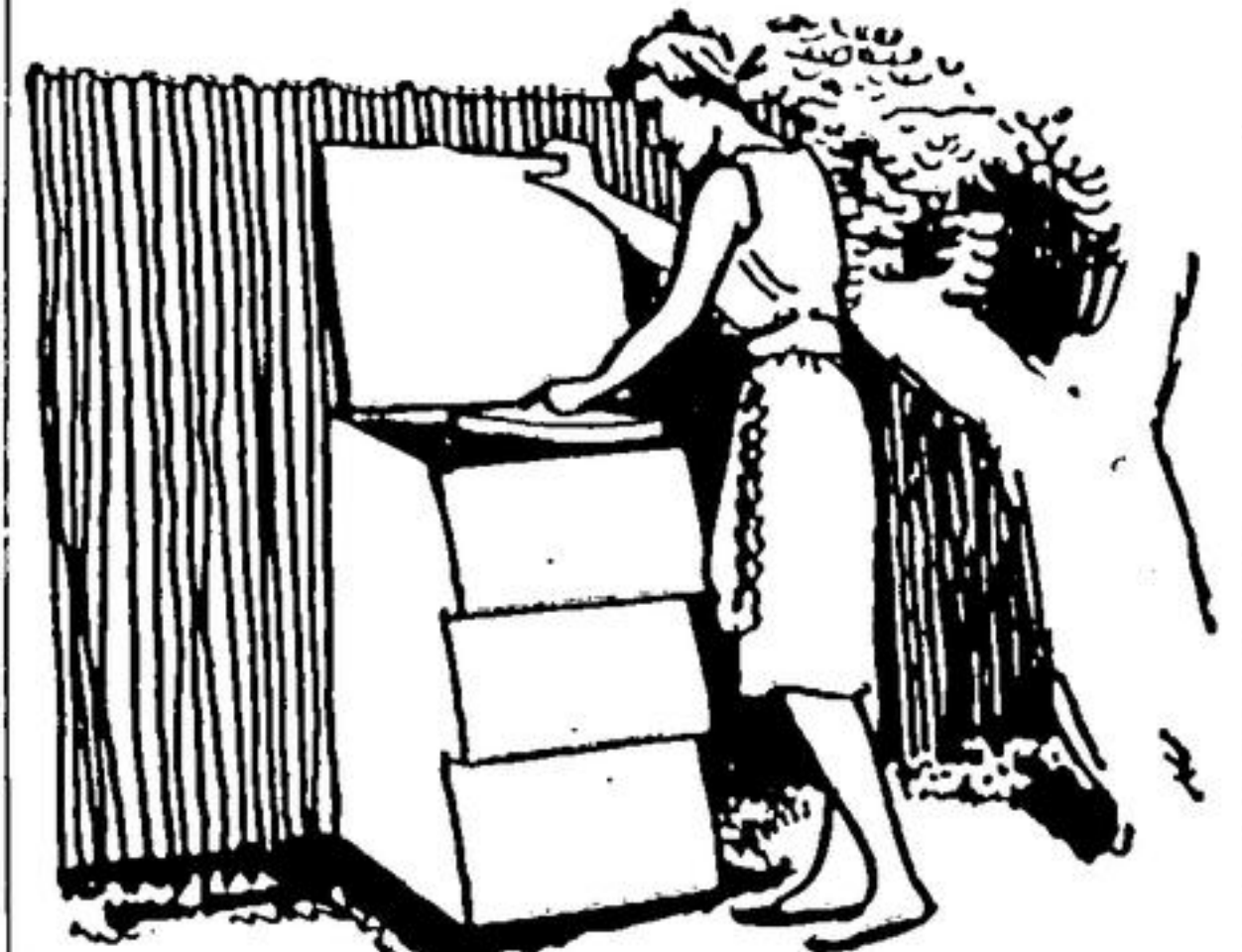
**Move to Georgetown Farm Neighbours Fete Couple**

On Thursday evening August 5th neighbours and friends gathered in Stewarttown Hall to honor Mr. and Mrs. Percy Leslie who are now living in Georgetown. Sixteen tables of euchre were played with Mrs. Tom Brownridge, winner for the ladies and Emery Thompson for the men. Following this Bob Cunningham read an address and John Bird and Bob Alexander presented a coffee table and a nice electric clock to the couple who both expressed their thanks for the gifts. Lunch concluded the evening.

The Women's Institute had their bus trip to Stratford on Wednesday, July 28th, and attended the Stratford Festival where they saw a Shakespearean play "Falstaff", afterwards having a chicken dinner at Kitchener.

Mr. and Mrs. Roy Critchell and their family enjoyed a weeks holiday at Haliburton and Bracebridge. Janie Critchell stayed with her grandmothers at Bracebridge for some holidays.

Mr. and Mrs. Fred Barnes and Mr. and Mrs. Bill Wilson and daughter Gail and Mr. and Mrs. Ross Austin and children Sandra and Jimmy holidayed last week up at Haliburton and other places.



**ONE 4' x 8' FIR PLYWOOD PANEL MAKES ATTRACTIVE VENTED GARBAGE TIN HOUSING**

Garbage tins are a necessary but sometimes an unattractive part of our outdoor 'furniture'. They have to be placed where they are convenient for use, they have to be well-ventilated and they should be placed so that the municipal garbage detail can get at them quickly.

Here is a solution that answers all conditions. Simply made out of only seven pieces of waterproof glue fir plywood, a few nails, two hinges and some stain, it attractively conceals the tin containers and yet permits easy access.

The dimensions may have to be adjusted to fit your tin, but the construction process is clearly shown in the exploded drawing. If the unit is attached to the fence by making a supplementary framing as shown and if a simple door is made to allow access to the tin from outside, your garbage disposal problem is solved, neatly and attractively.

**HARVEST BIG SAVINGS ON TENDER TASTY THRIFTY MEATS**

Here you will find the finest in fresh meats at the lowest possible prices, featuring Canada's finest RED AND BLUE BRAND BEEF, 100% satisfaction guaranteed...

TENDER, JUICY <b>BEEF STEAKS</b> <b>49¢ lb.</b>	CANADA PACKERS Sliced <b>RINDLESS BACON</b> <b>59¢ lb.</b>	BABY BEEF Sliced <b>LIVER PATTIES</b> <b>29¢ lb.</b>	BREADED <b>VEAL</b> <b>39¢ lb.</b>
FRESHLY GROUND MINCED <b>BEEF</b> 4 lbs. <b>\$1.00</b>	TASTY <b>WIENERS</b> 3 lbs. <b>\$1.00</b>	YASTY <b>BOLOGNA</b> 4 lbs. <b>\$1.00</b>	<b>BREAD</b> White or Brown 24 oz. 6 LOAVES <b>\$1.00</b>

**STOCK YOUR FREEZER FOR FALL - NOW AT BIG SAVINGS**

**HIND FRONT SIDE**

1/4 BEEF	1/4 BEEF	of BEEF
<b>55¢ lb</b>	<b>39¢ lb</b>	<b>43¢ lb</b>

No Extra Charge for Cutting and Wrapping

**BLUE VALLEY MEAT MARKET**

148 GUELPH ST. GEORGETOWN, ONT. 877-6331

IF YOU DO NOT SEE THE CUT OF MEAT YOU REQUIRE OUR FRIENDLY STAFF WILL BE PLEASED TO ASSIST YOU

**LIMEHOUSE**

**Tends Home, Garden Mrs. Robert Lane 91**

Birthday greetings to Mrs. Robert Lane, who was ninety one on August 9th. In spite of her years she is quite active, keeping her own home and garden in order all by herself. Her daughter, Mrs. Harvey Norton, entertained at dinner for the immediate family in her honour.

Mr. and Mrs. Bert Benton were guests at the Bateman-Kingsbury wedding at the Church of Christ Disciples at Everton on Saturday and the reception in the parish hall at Rockwood.

Mr. and Mrs. Verboon and children have returned from a trip to Leiden, Holland, by plane.

Miss Linda Linham and Carol Swackhamer spent a few days with relatives at Ottawa.

Mr. and Mrs. Herb Spitzer and children spent a few days at Woodland Beach.

Mrs. Mac Harrington and children spent the past week at her parents' home at Orangeville.

The Alvin Karns' of London visited the Karns' here a week ago enroute to visit relatives at Montreal. Miss Marie Karn stayed with cousins here a few days.

Mr. and Mrs. Jack Roughley, Robbie Roughley and Gary Heister spent last week at James Lake Lodge, Timagami.

Mr. and Mrs. William Ingles, Ronnie and Scott spent holidays at Ottawa and Lake of Bays.

Mr. and Mrs. John Veestra and daughter, Wendy of Cornwall have been visiting Mr. and Mrs. Verboon, 22 Sideroad.

Miss Jill Thomas, of Streetsville has been visiting Mr. and Mrs. Cohoon.

Miss Linda Peavoy of Hillsburgh has been with her sister, Mrs. C. DeForest.

Miss Eleanor Karn has been holidaying with cousins at London.

**IT'S A CRIME.... TO MISS OUT**

... on the downright driving pleasure and the dollar saving economy of a VOLKSWAGEN ...

You can remedy this situation any day. Just drop in at C & V Motors and take your pick from a big line-up of brand new ones - or good used models from 1956 to 1964.

**HOURS: Service Daily 7 a.m. to 7 p.m.**  
Saturday 7 a.m. to 1 p.m.  
Sales: Daily 9 a.m. to 9 p.m.  
Saturday 9 a.m. to 6 p.m.

**C & V MOTORS**

Your Authorized Volkswagen Dealer

189 GUELPH STREET 877-6531  
Ask for Jim Walsh or Don Brown

Anna Nelissen, Wildwood, visited with the Swinkles this week.

Mr. and Mrs. Donald McLean and family of Port Hope visited with her brother-in-law and sister, Mr. and Mrs. Conrad Patterson.

Carol and Margaret Longstreet of R R 1, Orton, are holidaying with the Linhams.

**AMBULANCE RUNS**

During the week of August 1st to 7th the Georgetown Volunteer Ambulance Service had 7 calls.

Monday, Aug. 2, 11:30 a.m.: A normal run from Georgetown to Georgetown Hospital, taken by W. Kinrade and E. Hall.

Monday, Aug. 2, 3:20 p.m.: A normal run from Glen Williams to Georgetown Hospital, taken by W. Kinrade and E. Hall.

Monday, Aug. 2nd, 9:20 p.m.: A normal run from Georgetown to Georgetown Hospital, taken by D. Laird and D. Holmington.

Tuesday, Aug. 3rd, 11:30 p.m.: A normal run from R. R. 1, Georgetown to Georgetown Hospital, taken by W. Service and A. Prouse.

Wednesday, Aug. 4th, 7 p.m.: A highway accident and emergency run from Glen Williams to Georgetown Hospital, taken by D. Peck and C. Davidson.

Thursday, Aug. 5th, 12:45 p.m.: An emergency run from Norval to Georgetown Hospital taken by D. Livingstone and D. Townsend.

Saturday, Aug. 7th, 11:30 p.m.: A highway accident and emergency run from 7th Line, Stewarttown, to Georgetown Hospital, taken by L. Ward and T. Niven.

**CORRECTION**

A net report of a motor vehicle accident in the August 5th issue was in error when it reported a car driven by William Bullivant, 15 Charles St., collided with the right side of a stopped car driven by James F. Graham at the Main - Ewing corner. The story should have stated the Bullivant car was stopped waiting to make a left turn when the eastbound Graham car collided with it.

**BALLINAFAD**

**Aussie Tobacco Farmer Visitor At Ballinafad**

Mr. and Mrs. Bert Adams of Australia visited with the Lawrs on Monday. Mr. Adams is a tobacco farmer and has been visiting with his brother Sam, whom he has not see for forty years. From here they intend to cross the United States on their way home from a world tour.

Mr. and Mrs. A. Kier and family have just returned from a holiday trip down through the states.

Mr. and Mrs. Archie Lawr visited at Victoria Harbour and Huntsville last week and travelled through Algonquin Park and to Ottawa and Upper Canada Village.

Bill Black entertained members of his Sunday School class and 34. Sales their teacher at a barbecue at Lake Belwood on Thursday night. The boys all enjoyed a turn at water skiing and a boat ride. Later in the evening around a fire the group enjoyed instrumental music and singing.