



Peter Jones Photo

**THANKS FOR THE HARMONY (AND THE PODIUM)**

**CHORAL DIRECTORS** of the Georgetown Chapter of the S.P.E.B.S.Q.S.A. Barber Shop quartet singers Duncan Thompson (2nd from left) returns the Etoibcoke Podium to Johnny Cairns, Chief Area Counsellor and a member of the Etoibcoke Chapter. Georgetown songsters were allowed to keep the loaned podium until they had one of their own. On the left is Don Southern, the Assistant Choral Director of the Etoibcoke Chapter, and on the right is Claude Bolling, Area Counsellor of the Metro Chapter. Etoibcoke sponsored Georgetown, and dropped in over two weeks ago to prepare local groups for an impending visit from the District Governor.

**HALTON MANOR**

**Bazaar Proceeds Provide New Comforts for Manor**

Mr. Stan Wright, a prominent Gideon of the Oakville-Milton camp, was the leader of the church service on Sunday afternoon, August 11th, and Mr. John Reimer was the speaker. The church service on Sunday afternoon, August 18th was in the capable hands of Mr. A. Dalby, who is a member of the Pentecostal Church at Oakville. Mr. Dalby's sermon was, as always, of great comfort to the congregation. Mr. Dalby's sermon was based on vs. 1 of the Psalm, a verse which he paraphrased as "I shall have no need because my Shepherd is the Lord".

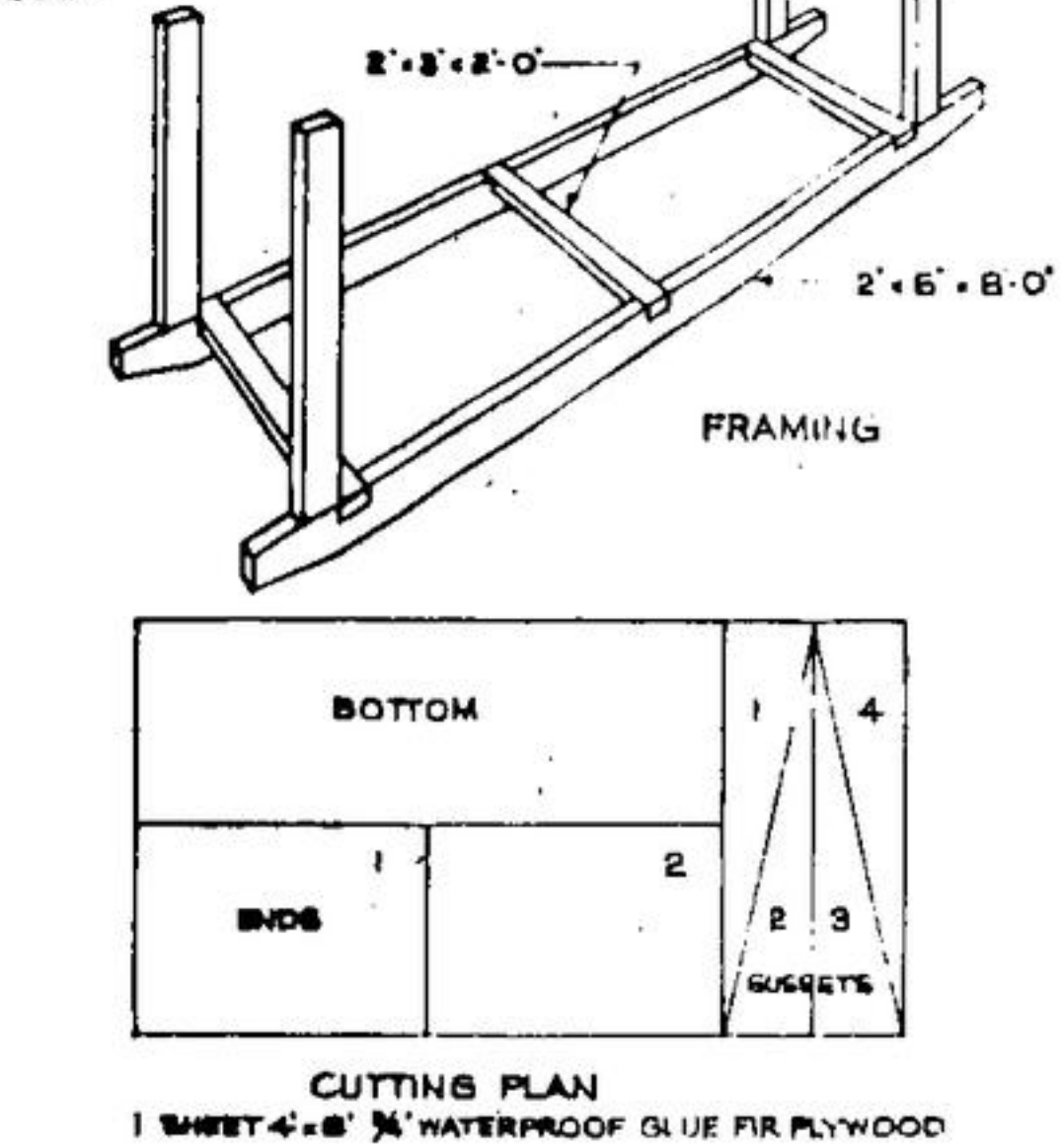
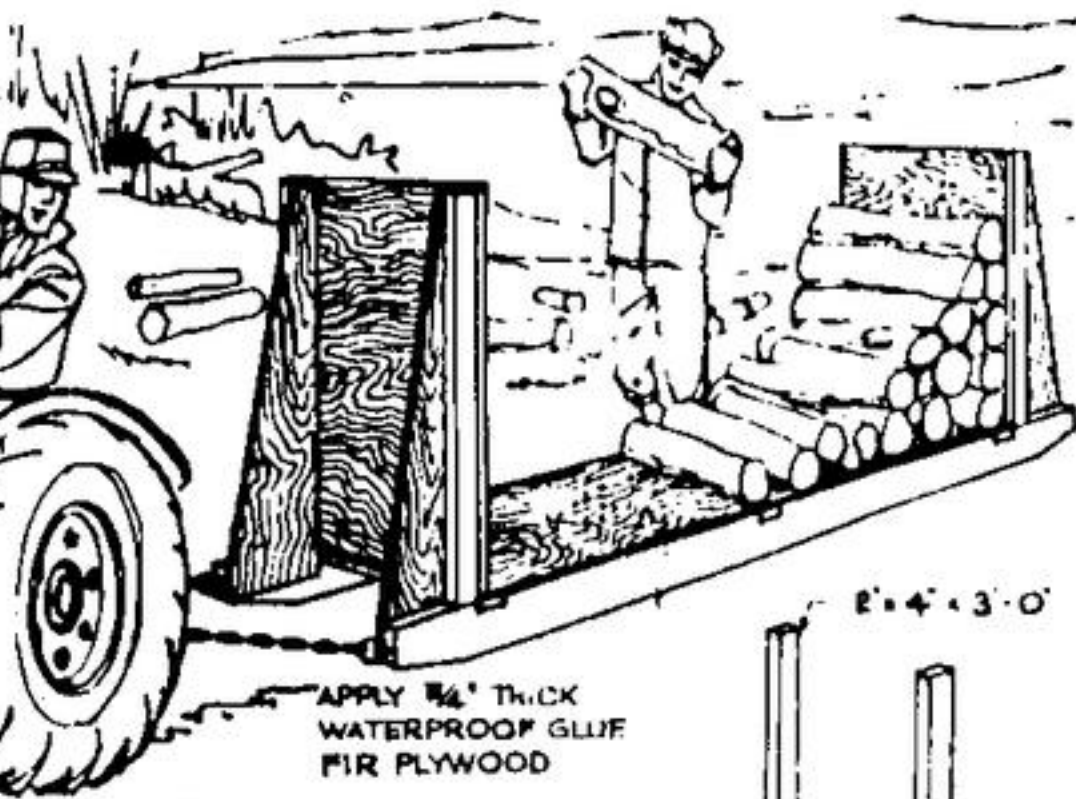
The Christian Business Men's Committee of Oakville was again in charge of the church service on Sunday afternoon, August 25th. Mr. Charles Hanenck was the speaker at the service and he chose verse 16 of Chapter 4 of St. John's Gospel as his text.

Some of the most attractive coloured picture slides ever to be seen at the Manor were shown by Mr. George Michie of Quebec City on Tuesday night, August 27th. Mr. Michie is a cousin of Mr. and Mrs. Joseph Hoare, who are residents of the Manor and Mrs. Hoare introduced her cousin to the residents before the showing of the pictures began. The slides were a series that had been taken in England, Scotland, Ireland and Wales during trips made by Mr. and Mrs. Michie and their small daughter in recent years.

The many friends of the Manor will be interested in knowing that several articles of very practical use have already been purchased with funds raised at the second annual bazaar last May. These articles are an electric clock for the sewing room, an electric clock for the auditorium, an electric teakettle for the auditorium kitchen, a damask linen tablecloth for the auditorium parties and fifty new hymn books for the Chapel.

In the auditorium on Wednesday afternoon, August 28th, the members of the Mountain Union Women's Institute entertained seven guests of honour and a large number of the other residents at the August birthday party. After the program, seven guests were escorted to the head table. They were Mrs. H. Baverslock, Mrs. E. Yates, Mrs. E. Moore, Mrs. W. McMillan and Messrs. J. McKinney, J. Kemp and H. Chamberlain. Each guest of honour was presented with a birthday card and a gift of money. An attractive coloured paper cap was placed to anchor the uprights, the same as that employed in many buildings. The sleigh shown requires the only some lumber and a single heating coat or two of good substitute, and tea and coffee were served. A pleasant item on the program occurred at the end of the afternoon's activities when Mrs. Ada Hill, acting on behalf of her invalid sister Mrs. Rose to Christine and herself present

**One of a Series ... BUILD IT YOURSELF**



**This Farm Sled is Easy to Make and Long-Lasting**

There are still a dozen and a half uses on any farm for a good old fashioned sled. Here is a sled you can build yourself quickly, easily and inexpensively. And when completed you will have a vehicle that is built to stand a lot of punishment. The designer of the sled used the usual shear strength of fir gussets supports the strength of the plywood. The plywood is completely waterproof glue on the head of each guest, and the same as that employed in many buildings. The sleigh shown requires the only some lumber and a single heating coat or two of good substitute, and tea and coffee were served. A pleasant item on the program occurred at the end of the afternoon's activities when Mrs. Ada Hill, acting on behalf of her invalid sister Mrs. Rose to Christine and herself present

**ALL MATERIALS FOR ABOVE AVAILABLE FROM**  
**BEAVER LUMBER**  
 11 Water St. TR. 7-2234  
 Open Friday till 9 Saturday until noon

**John Wilson Tours With Soil Crop Group**

John Wilson, Norval R.R. 1, was Halton's delegate to the annual Junior Farmers Soil and Land Use Tour. John Wilson, in Esqueping Township and is active in 4-H and Junior Farmer programmes. The Soils Tour was held on September 10th to 13th inclusive. The program is under the direction of the Extension Branch of the Ontario Department of Agriculture and the Soils Department of the Ontario Agricultural College. Each County in Ontario has an opportunity to send one representative. The tour includes visits to the Ontario Agricultural College and visits to view land use programs on farms in Ontario. In addition to the Soil and Crop projects being carried on by the Ontario Agricultural College, this year's delegates visited farms in Lincoln, Welland, Perth, Huron and Halton counties. On Friday, September 13th, the tour concluded with a visit to four Halton farms. Halton farmers who were hosts for the tour were: Brook Harris, Milton R.R. 6; Sam Hartop, Milton R.R. 5; Jim Snow, Georgetown R.R. 2; and Fred Nurse, Georgetown R.R. 2. The program provides an opportunity for young farmers to see recent farm management practices in actual operation.

**Achievement Day at Milton for 4-Hers**

The Halton 4-H Beef Club, Halton East Holstein Club, Halton West (Calif. Jersey - Guernsey - Ayrshire - Calif. Grain and Corn Clubs held their final meetings in Milton on Wednesday, September 11th. Each of the 4-H Club members answered questions, based on livestock and crop management. The questions were answered orally, and scored by 4-H Club Leaders. The meetings marked the conclusion of a series of meetings held by each of the 4-H Clubs. The 4-H Club program in Halton is under the direction of J. A. Francis, Agricultural Representative, and J. Douglas Burnside, Assistant Agricultural Representative, assisted by the volunteer leaders of the Halton 4-H Club Leaders' Council. Completion of the entire project will take place at the Junior Day program of Milton Fair, sponsored by the Halton Agricultural Society. The 4-H Achievement Day shows will take place on Friday afternoon, September 27th, at the Milton Fair Grounds. Included in the show will be classes of senior heifer calves, junior heifer calves, and a class for steers. Each 4-H Club Member will compete in Showmanship, and will be finally placed on their overall participation during the Club year.

**\$3750 Ontario Grant For Terra Cotta Park**

The Honourable A. Kelso Roberts, Minister of Lands and Forests, announces the approval of a Provincial grant of \$3,750.00 to the Credit Valley Conservation Authority for further development of the Terra Cotta Conservation Area. This Area was acquired by the Authority in 1958 and comprises 310 acres of land in parts of Esqueping and Chinguacousy Townships and is located 1 1/2 miles west of the Village of Terra Cotta and some 7 miles from Georgetown. The Niagara Escarpment. The Authority proposes to carry out further development work on the Area which would include road improvement and also improve bird lines and parking lot, fencing, sodding planting and installation of signs.

The conclusion of the Show will be the selection of a Champion beef, dairy and overall Livestock Showman. The Junior Day will feature exhibits from each 4-H Agricultural, 4-H Homemaking, Junior Farmer, and Junior Institute Club. The entire show will represent the work of over four hundred young men and women from Halton's farms. The Humboldt will never determine who is right - only town it lies on the edge of who is left the Niagara Escarpment. Doing it is wonderful training for girls, it's the first way you learn to guess what a man is going to do before he does it. All member municipalities share of the cost.

**BRITISH MORTGAGE GUARANTEED CERTIFICATES** are now paying **5 1/4%** on \$100 or more from 1 to 5 years.

- Approved for trust funds
- Interest deposited to your British Mortgage account or paid by cheque.

**BRITISH MORTGAGE & TRUST**  
 Since 1877  
 Telephone 451 7330  
 A. J. RUSSELL, Manager  
 11 Main St. S.  
 Brampton

**Flower Arranging is Shown Hospital Ladies**

Plans for the coming fashion show on Sept. 24 were the main business at the general meeting of the Georgetown & District Memorial Hospital Women's Auxiliary. The meeting was held Sept. 10 in the hospital cafeteria. Mrs. Robert Thompson reported that the Fashion Show preparations are coming along well and the committee is looking forward to a very successful evening. The members were urged to co-operate in selling their tickets for this event. The meeting was chaired by Mrs. Walter Pope, the president; Mrs. E. Bodnar, recording secretary; and Mrs. A. Maugest, read the minutes of the June meeting and Mrs. A. Maugest read the treasurer's report. Volunteer Services - Conventer Mrs. George Jewson reported that volunteer work in the hospital has carried on well during the summer months. Volunteers are still needed to help in the shop with the cart but visitor control is well staffed for the present. Mrs. Robert Thompson, who is Ways and Means Conventer, hoped that all members will continue to collect labels, box-tops, etc. for "The Golden Book of Charity" which is a current money-making project. Guest speaker for the evening was Mrs. E. Pearce of Rosedale Floral Shop, who was introduced by Mrs. W. Pope. She gave a very interesting illustration on flower arranging. Most of the flowers she used were popular home grown varieties such as gladioli, marigolds and geraniums. These old favourites in her capable hands became very glamorous and beautiful arrangements. Mrs. Pearce closed by donating her flowers to the Auxiliary members who had a draw for them. Some were left for hospital patients to enjoy.

**Officers Installed By Percy Merry Home & School**

The first meeting of the Home and School was held at the Percy Merry School on Thursday night, Sept. 12th. A good crowd was in attendance to see the new officers installed by Mrs. Margaret Mason, president of Oakville Home and School Council. She also explained the responsibilities of the Home and School. The staff was introduced by the principal, W. S. Robinson. The 1963-64 staff is as follows: Mrs. Donna Hancock, president; Bert King, vice-president; second vice,

Dick Course; Mrs. Edna Ball, recording secretary; Mrs. Ruth Bousfield, corresponding secretary; Norman Clark, treasurer; Mrs. Bertha Greaton, public relations; Mrs. Ella Patterson, program convener; Mrs. Joan Williamson, membership; Mrs. Ron Featherstone, member-ship; Mrs. Joan McChesney, children's reading; Henry Peacock, Jack Lynch and Howard Gowland as directors. Mrs. Betty Robinson will also be a helper with children's reading.

While Adam may have had his troubles one thing we're sure of he never had to listen to Eve talk about all the other men she could have married.

**Watch Crystals REPLACED WHILE YOU WAIT**  
 McNamara Jewellers  
 26 Main St. S.

**FUTURITY SHOW & SALE**  
 ONTARIO ABERDEEN ANGUS ASSOCIATION  
 Western Fair Grounds  
 LONDON - ONTARIO  
**SEPT. 26-27**  
 THURSDAY AFTERNOON • SHOW - BULLS & HEIFERS  
 THURSDAY EVENING • RECEPTION & BANQUET  
 FRIDAY 11.00 A.M. • SALE - 20 BULLS - 65 HEIFERS  
 FOR INFORMATION AND CATALOGUE  
 Write: Mrs. Dorothy Bowden, Port Elgin, Ont.  
 While in London Plan to Attend the Canadian Royal Sale - Saturday, September 28th

**11 OF THE MANY REASONS WHY Good Government deserves YOUR support**

- 1 Improvement in your living standard - more and better goods and services for you because your Government guarantees aid to enterprises contributing to Ontario's growth.
- 2 300,000 new jobs by 1967 - your Conservative Government's Trade Crusade (buy Canadian) aims to create new manufacturing and job opportunities in the Province.
- 3 Improved agricultural research - co-ordination of all research by the Ontario Agricultural Research Institute makes new techniques and opportunities available.
- 4 Advance road subsidy payments - Ontario's counties, townships, cities and villages receive advance payment to assist roadbuilding, provide employment.
- 5 Fair wages for Government works - your Government set widespread minimum wage standards by including a wage clause in all public works contracts.
- 6 Farm management assistance - for farmers, a program that helps improve your business and marketing procedures will be expanded.
- 7 Aid for export manufacturers - trading groups are formed and a co-ordinated effort promotes business. Means more prosperity for Ontario.
- 8 Brighter future for your children - partnership of your Government and industry in the Ontario Research Foundation is ensuring a solid future.
- 9 Expansion of vocational schools - in 1962, 217 vocational school projects were completed or under construction.
- 10 Medical and Dental Student Aid - your Government gives bursaries of \$1,000 a year to students who agree to serve in areas in the Province where they're needed most.
- 11 Vigorous leadership - good government leadership gets things done for the people. John Roberts' administration is for you.

Prime Minister John Roberts  
**Vote Progressive Conservative in Ontario**

**VOTE George Kerr IN HALTON**

- Married, 3 children. Served on Board of Management of his Church.
- Member Burlington Town Council - 4 years.
- Member Finance Committee and Business Development Committee.
- Promoted Agricultural Rehabilitation Development Association Legislation.
- Member Burlington Retarded Children's Association.

**YOUR PROGRESSIVE-CONSERVATIVE HEADQUARTERS IN GEORGETOWN**  
 16 MAIN STREET NORTH - PHONE TR. 7-6361

**Arnold Rathbun**  
 Representative  
 Sun Life of Canada  
 GEORGETOWN  
 12 Gower Court