

Y Sign Signifies . . .



Peter Jones Photo

G.H.Q. FOR A WAY OF LIFE

THE YMCA-YWCA OFFICE will be more easily identified now. Council recently gave the local branch of the Y permission to erect this attractive sign on the office lawn at 39 Main Street South. Admiring the new sign above are directors (l to r) Al Brewer, Alex McLaren, Eric Eamon, Don Parker, Mrs. Helen Van Sicker, Mrs. Mary Ann Martin, Isabel Engleby and Rev. Lloyd Whan.

Three For C . . .



Peter Jones Photo

NEW CUBS GET 'NECKTIE PARTY'

CUB SCOUTS Ian Long, Douglas Waites, and Peter Young give their first gift of a salute as Cubs after being invested in C Pack of 1st Georgetown at a special ceremony at St. John's United Church recently. Part of the ceremony was the receiving of their Pak neckerchiefs which they are proudly wearing above. At right is Cub Instructor Dave Shrubsole who helped the boys become Cubs. Cubmaster is Jean Layman.

GLEN WILLIAMS

Surprise Party Honours Glen Couple's Anniversary

We extend congratulations to Nancy Hunter who was successful in her surprise party given by Mr. and Mrs. Lorne Garvin Saturday evening. Relatives, friends and neighbours were gathered to celebrate Bob and Irene's silver wedding anniversary. As a special surprise Irene uncle and aunt Mr. and Mrs. W. Firth and daughter Audrey of Peterboro were already there to welcome them. There were presented with a lovely Lazybus chair. At the close of the evening a delicious buffet lunch of cold cuts, salads and relishes and the wedding cake was served. We add our best wishes to Bob and Irene. May they have many happy years together.

NORVAL

Trip, Graduation Party For Norval Grade Eights

Norval Grade 8 pupils enjoyed a trip to the Museum in Toronto along with the other Grade 8 pupils in their class at Stewarttown Public School on Monday, June 17th. They also had a very enjoyable evening at their Graduation Party held in the Stewarttown School on Thursday evening, May 20th. The girls were presented with a little wrist of the water before supper. Res B. Stuffles on behalf of the congregation presented the Warden with a package nice. Those attending Stewarttown School from Norval are: Bonnie Fendley, Wendy Hunter, Marilyn McDonald, Carol Clements, Irene McLean, Susan Britz, Elizabeth Clark, Fishburn, David Carter, Bryan Reynolds. Mrs. Bill Hunter represented the Norval parents on the committee that was in charge of the graduation party sponsored by the Home & School organization. Congratulations to Cheryl and informative conference.

Accident Victim Was 46 Years Papermill Worker

The funeral service was held last Wednesday (June 26) afternoon for Leonard G. Marchment who died in Peel Memorial Hospital, June 23, an hour after a car accident in Chinguacousy Township.

Rev. Lloyd Fred officiated and pallbearers were Harold Wheeler, Bob McMaster, Thom Niven, Douglas Latimer, Rupert Beaumont and Bob Laason. A Masonic service was held the previous evening at the Harold C. McClure Funeral Home.

Chinguacousy township police said the fatal collision occurred at about 1:30 in the afternoon at the intersection of No. 22 sideroad and the 4th line west. Their report said Mr. Marchment, 46, was driving east on the sideroad when his car was struck broadside by a car driven by Francis Edwin Peters of Toronto which was travelling north on the line. A 3rd car driven by David M. Adams of Brimley, following the Peters car, was also involved.

Mr. Marchment was rushed to Peel Memorial by Chinguacousy Township ambulance. His car was a total wreck. The drivers of the other cars suffered no serious injuries.

Born February 11, 1892, Leonard Glenarley Marchment was a member of Glen United Church and a Past Master of Loyal Orange Lodge No. 346. He founded the Glen Williams Pipe and Drum Band which he directed for a number of years, and was a past master of Credit Lodge No. 219, AF&AM. He was also Past Principal of Halton Chapter, RAM No. 234, from which he received his 25 Year Jewel.

Halton Soil Survey Beneficial for Data

Soils in Halton are now being classified and mapped. This is part of the Federal Provincial soils program. The mapping program will give specific soil classes and an accurate soil description. The survey is being made by J. Gillespie and A. MacLean of the Dept. of Soils of the Ontario Dept. of Agriculture. In taking the survey the soils specialists will be examining soils on farms in Halton. By using a soil profile the soil profile this information will be the basis of a soils map and report. The survey when completed will provide useful information for farm management programs in soil use. The soils mapping program in Halton will take most of this year to complete. Mapping is now underway in the southern part of the county.

NORVAL

Memorial Service Draws 350 to Hillcrest Cemetery

The first Memorial Service for Norval Hillcrest Cemetery was held on Sunday afternoon, June 22nd, with approximately 350 attending. Master of Ceremonies was Mayor Donald Russell of New Toronto. Grade 2 piano, honours: Karen Swerdforger; Grade 1 piano, honours: Darlene Outhbert; Grade 1 singing, honours: David Sharpe; Grade 1 singing, first class honours: The Congratulators. Miss Crystal Louth held a linen shower at her home on Wednesday evening, June 18th. The Call to Worship, led in prayer, and gave a thoughtful address and pronounced the benediction at the close of the service.

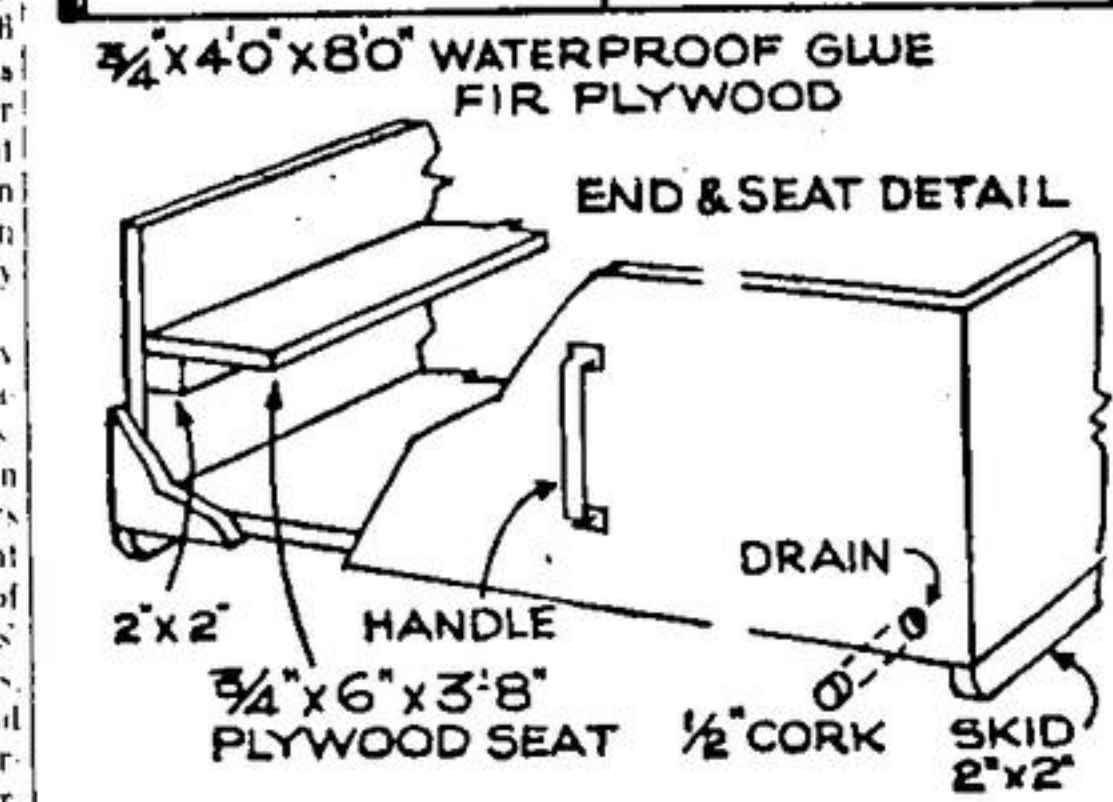
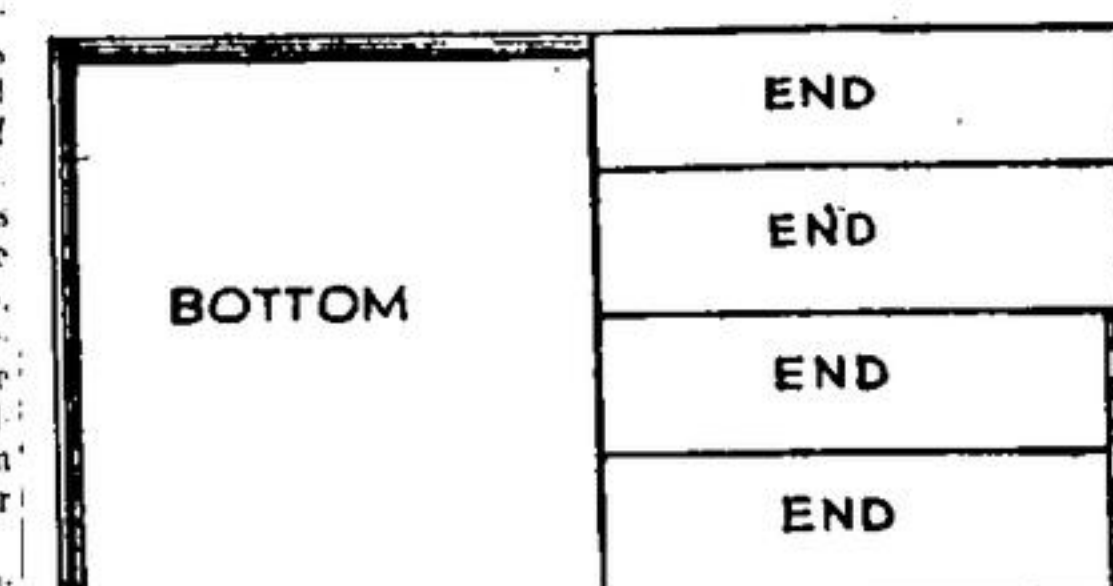
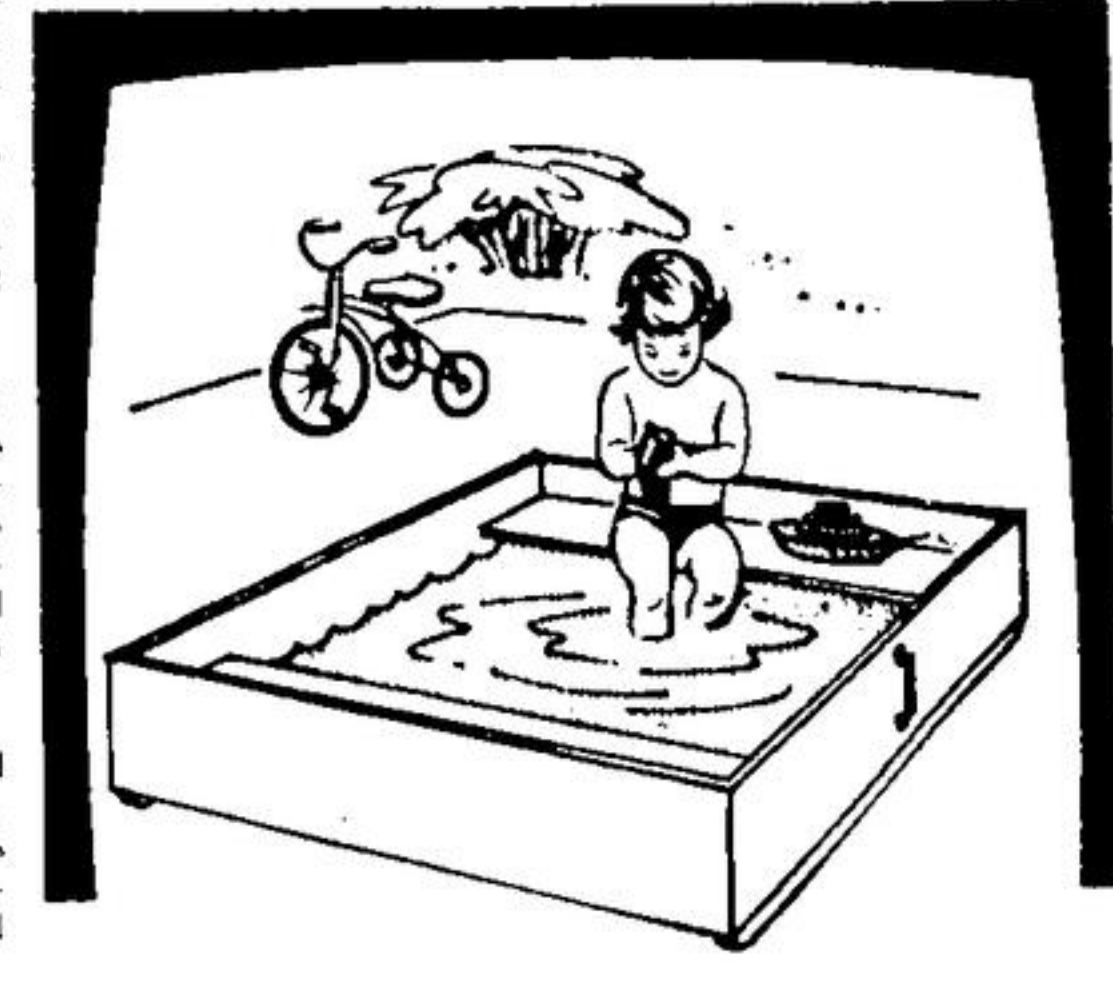
Mr. R. Mackenzie's mother, Mrs. Grace Mackenzie of Campbellton, New Brunswick and his aunt, Miss Enid Mackenzie, for the district held family picnics and dinners following the service.

The Cemetery Board was very pleased at the number of floral tributes placed on the graves and flowers planted for this occasion. Making the beautiful spot a beautiful spot. The number of people who attended the service. Those who attended appreciated the effort of the board in putting on the service and the work of the caretaker. Many remarked that they had never seen the cemetery looking as good and hoped that this would be a yearly affair. Members of the Cemetery Board are: chairman Oliver Hunter, secretary Robert Cunningham, treasurer Hyatt McClure, Tom McGee, Craig McClure, Hugh Clark, John M. McClure and Elmer Carney.

Music pupils of Joyce McLean who were successful in their recent examinations at the Royal Conservatory of Music in Toronto were Paul SSO attending Master of Ceremonies was Mayor Donald Russell of New Toronto. Grade 2 piano, honours: Karen Swerdforger; Grade 1 piano, honours: Darlene Outhbert; Grade 1 singing, honours: David Sharpe; Grade 1 singing, first class honours: The Congratulators. Miss Crystal Louth held a linen shower at her home on Wednesday evening, June 18th. The Call to Worship, led in prayer, and gave a thoughtful address and pronounced the benediction at the close of the service.

ONE OF A SERIES . . .

Build it Yourself



Build this sea-box and your children will just love it!

Here is a backyard addition your youngsters will love. We call it a Seabox. It's a wading pool constructed of sturdy fireproof plywood. Building it is simple. Lay out and cut the parts according to the cutting diagram. When measuring make allowances for the width of the saw cuts. Secure bottom to skids. Use galvanized screws use made with waterproof glue. This is identified by the level the bottom skids on both edge mark PMMC EXTERIOR on every panel.

ALL MATERIALS FOR ABOVE AVAILABLE FROM

**BEAVER LUMBER**

11 Water St. TR. 7-2234  
Open Friday till 9 Saturday until noon

THE GEORGETOWN HERALD Thursday, July 4, 1963 PAGE 5

the truck for the tenting equipment. Mrs. J. Norman, Mr. J. McDonald, Mr. H. Powell, Mr. G. Douglas and Mr. L. Francis. This camping week end wound up the Cub activities for the season and there will be no more meetings till the fall.

Social & Personal

Mrs. Kenneth Gorin of 87 Duncan Drive, with her two children, Stephanie and Christine, left on Tuesday, June 25 for a month's stay in London, England, where she will visit with her parents and her husband's parents. On Sunday evening Mr. and Mrs. Leo Mill

Notice to Creditors IN THE SUPREME COURT OF ONTARIO

NOTICE to Thor Day Developments Limited and Alexander MacKendrick, of the Township of Esequing, in the County of Halton.

TAKE NOTICE that an Action has been commenced against you in this Court by Halton & Peel Trust & Savings Company, in which the Plaintiff's claim is for foreclosure of a mortgage made in favour of the said Halton & Peel Trust & Savings Company, on which there is now due by you for principal, interest and insurance premiums the sum of \$21,187.36, upon the lands known as part of the west half of Lot 29, Concession 11 of the Township of Esequing, in the County of Halton.

AND THAT it has been ordered that service of the Writ on you be effected by this advertisement. If you desire to defend the Action you must enter an Appearance at the office of the Local Registrar at the Court House, Milton, Ontario, on or before the 26th day of July, 1963 at 4:15 and serve on the Plaintiff a Subpoena for an Affidavit showing the nature of your Defence. Or you may within the time limited request a sale or the opportunity to redeem.

Angus McMillan Q.C.  
261 Colborne St. East  
Oakville, Ontario  
Solicitor for the Plaintiff  
Dated this 20th day of June, 1963. 7-11

**BUS CHARTER SERVICE**

AVAILABLE AT REASONABLE RATES for

- GROUPS
- CLASSES
- CLUBS, ETC.

By the Hour . . .  
By the day . . .  
By the trip . . .

GO by HI-WAY

CALL . . .  
**GEORGETOWN TRANSPORTATION**  
877-2251 - Georgetown

**PINK COWS GIVE MORE MILK USE COWFLY POWDER**

FOR FARMS FLORBAIT . . . for a fast, complete kill

MASTERS FEEDS STEWARTTOWN R.R. 2, Georgetown Phone 877-3512

**ATTENTION!**

- FARMERS
- HOME BUILDERS
- CONTRACTORS

BEFORE YOU BUILD THAT NEW FARM BUILDING - OR HOME - OR ANY NEW BUILDING

**GET AN ESTIMATE FROM US!**

We are specializing in trussed rafters, metal plate or ring connectors. Approved spans of up to 60 feet. We will quote on finished structure or modular components for residential and commercial buildings.

**COMFAB COMPONENT FABRICATORS LTD.**

Fabricators of modular components for residential and commercial buildings.

Phone 843-2501 (no toll charge) Snelgrove, Ont.