

NEWS and VIEWS

Of Halton Farm Interest

W. E. Brecken Tops Halton Fifty Bushel Winter Wheat Competition
The Field Husbandry Department of Ontario Agricultural College recently released the yields for winter wheat fields in Halton entered in the Fifty Bushel Club sponsored by the Halton Crop Improvement Association. These yields are based on small plots cut in mid July in the sixteen Halton competitor's fields. It is worthy of note that W. E. Brecken of Freeman, whose field was declared the best field on field score by Ray Abrogast of Perth County, was again high on yield with 49.5 bus. per acre. The variety was Cornell 595 which is the variety in strong demand in most sections of central and western Ontario. Wm. Booth of Milton, with another field in the Cornell variety, was in second place. Other high scoring fields follow in order: J. M. T. Watson, of Freeman and Gordon Leslie, Acton, tied with a yield of 45.1 bus.; 5th, Ken Watson, Milton; 6th, J. H. Willmott, Milton; 7th, a tie between Wm. Lucas and A. M. Sherwood both of Freeman.

The three high competitors, namely W. E. Brecken, Wm. G. Booth and M. T. Watson who had the highest combined score for yield and field scores will represent Halton in the inter-county competition at the Royal Winter Fair. Entries are now being received at the Agricultural Office, Milton, for a similar competition for 1949. The rules and regulations call for a minimum of five acres in one block and must be grown from one of the following: Reg. No. 1 Dawson's Golden Chaff; seed grown from Reg. No. 1 Dawson's or Commercial No. 1 Cornell 595. Further details can be secured at the Agricultural Office, Milton, upon request.

"Wonder of Wonders" Egyptian Amber Wheat

We wonder how many of our readers received a copy of the circular distributed by the Egyptian Amber Wheat Association. As it is well worth reading. As a statement of fact, it combines so many innuendoes, misleading statements and suppositions, that it is to be hoped no Halton farmer fell for such a line of unadulterated "bunk". According to the circular in question, this variety is the best the Egyptians could produce after four thousand years of experimentation. Actually Egyptian Amber is an old variety originating in the United States and

classified under the general name of "Fulcaster".

From the standpoint of yield the average of eleven year tests at the Harrow Experimental Station in the South-western Ontario gives the Egyptian Amber a yield of 30.9 bus. in contrast to 34.9 bus. for Dawson's.

Here is an extract taken from a letter written by A. G. O. Whiteside, Senior Corvallis, Central Experimental Farm, Ottawa:

"Our yield data for Egyptian Amber shows it is lower in yield at Ottawa than our recommended varieties. Furthermore, inoculation tests with rust spores indicated that it is not resistant to rust, although not quite as susceptible as Dawson's or Cornell. The wheat itself is far from being pure as the crop from the seed produces many off-type plants and is quite a mixture in the field."

The writer was privileged to attend an evening field crop meeting at Leitchcroft Farm in York, early in July. There we saw this so called "Wonder of Wonders" growing alongside of Dawson's Cornell, and a number of other varieties. We recall very distinctly that the Egyptian Amber was badly lodged, while both Dawson's and Cornell were standing straight—furthermore, in an area of four or five square feet one could count six or seven different types of head in the Egyptian Amber.

"Wonder of Wonders"—all we can say is we wish the writer of the circular in question would give it back to the Egyptians if that is what he thinks it came from—we certainly don't want any of it in Halton.

Recent Shower Late But Still Very Welcome

The rainfall of approximately 1 inch which fell in most sections of Halton, while too late to be of much value in bringing back the pastures, helping the root crops, or in sizing the apples, was nevertheless of real value to the mixed farmers who were anxiously waiting for moisture in order to sow their wheat.

This past week the tractors have been going steadily and a fair acreage of wheat is being sown. True it is pretty late for this section of Ontario, but if we get favorable weather conditions for another month we may still reap a fair crop of wheat in 1949.

KITCHEN SOOOP

Tapered end of plastic kitchen scoop permits easy funneling of flour and sugar from a large container into small bowls or other receptacles, according to manufacturer's report in The Financial Post.

ERIN

On Sunday, September 19, harvest home services were held in All Saints' Church and were well attended. The Church was decorated beautifully for the thankful services.

The Erin Fire Dept. have had a trailer built to accommodate their ladders, hose, and the water pump. This apparatus can be drawn behind any car and is a very essential piece of equipment.

Mr. John Root, Orton will leave for Ottawa next Monday, September 27, having been appointed a member of the Policy and Resolutions Committee of the Progressive Conservative convention which meets in the national capital later in the week. One of the most important committees of the convention, it will meet two days prior to the main session at which a successor to the Hon. John Brecken, federal leader, will be chosen.—Advocate.

GEORGETOWN

Winners in under 6 months class at Georgetown fair—1st, Linda Jeanne Braida, daughter of Mr. and Mrs. Norman Braida, Acton. A new business change will take place in Main Street on October 4th, when R. J. "Bob" Caldwell takes over as proprietor of Long's Confectionery and the local Gray Coach terminal.

One of the most startling announcements in the industrial history of Georgetown came last Wednesday when employees of the Provincial Paper Mill were notified that the company had decided to close this branch of the firm's business in Georgetown. The shutdown, affecting some eighty employees, will be completed by November 15.

Two local premises were broken into over the week-end. On Friday night entry was made into the Georgetown Shoe Company by removing a bar on a rear window. The office door was opened by smashing the glass and there were signs of tampering with the safe.

Sunday evening the canteen at the Legion Hall was entered by thieves who smashed a front partition. A quantity of beer and cigarettes valued at \$70 were stolen. The break-ins are being investigated by Provincial Police under the direction of Constable J. W. Sheffield.—Herald.

The half million London children evacuated to the country two days before war broke out, and now returned, adolescent, have brought to the English metropolis an out-of-doors experience that is refreshing.

CLEARING AUCTION SALE,

In the Paisley Block, Guelph Twp.

REGISTERED, ACCREDITED & BLOOD TESTED HOLSTEINS IMPLEMENTS ETC.

The undersigned have received instructions from

REVINE HENDERSON to sell by public auction at his farm situated on Willow Rd. 3/4 mile west of the city limits on

SATURDAY, OCTOBER 27th Commencing at 1:00 o'clock the following:

HORSES: Brown Percheron Mare, 7 yrs. old a very choice wagon mare; Aged Clyde Gelding.
REG. HOLSTEIN COWS: Governor Mabel (635195), Born Mar. 27, 1934. Sire Carnation Governor, Bred Sept. 1st to Iron Duke which is a club bull; Frances May Posh (523982), Born March 21st, 1941. Sire Dixie Posh Hartog 10th, due Nov. 10th; Pauline Governor Frances (675072), born Dec. 17th, 1944. Sire Sir Paul Carnation, a son of Carnation Governor, due Dec. 22nd to Miranda Sir Rue; Maud Frances Keyes (416525) born July 10th, 1938. Pauline Posh Hartog Dixie (511236) born May 5th, 1941. Sire Dixie Posh Hartog 10th. Bred Aug. 20th to Pabst Burk Dandy, a club bull; Mabel Posh Hartog Abbie (516199) born Dec. 27, 1941. Sire Dixie Posh Hartog 10th. Bred April Aug. 25th to Colony Miranda Sir Rue.

YOUNG CATTLE: Pabst Burke Pauline (782519), Born on Mar. 18th, 1943. Sire Pabst Burke Dandy; Mabel Egg Apple Posh Abbie (786671) born April 15th, 1943. Sire Bond Haven Egg Apple Pat; Miranda Frances Keyes (797823) born June 23rd, 1943. Sire Sir Colony Miranda Sir Rue.

POULTRY: 100 N. H. Pullets, 1200 Hens.

IMPLEMENTS: Fordson Tractor equipped with battery and distributor with new piston rods and Tappets; Two-furrow HIC Tractor Plow; Gas Barrels, Funnels, etc.; Wide Cultivator; Four-section harrows; 12 Blade Disc; Top-soil Seed Drill; Tolton Walking Plow; Turpin Sower; Fanning Mill; Grandstone; Scuffer; Milk Cart; Bench Sleigh; Cutter; Buggy; Light Sleigh; Democrat; 2 rubber-tired Waggon; Flat Rack; MH Manure Spreader; MH Hay Loader; MH Horse Rake; F & W Mower; MH 6 ft. Binder; with tractor hitch; Heavy Vise; Set of Dies; Pipe Cutter; 80 ft. of inch pipe; 60 ft. of three-eighths rod; A large quantity of balls; Barbed Wire; Harness, Collars, Etc.; Parks, Hoes, Shovels, Chains and other articles too numerous to mention.

FEED and TIMBER: 15 Tons of Mixed Hay; 60 Fence Posts; 500 Bus. Mixed Grain; Quantity of Potatoes; Rock Elm suitable for doubletrees; Odd Lumber.

FURNITURE: Cook Stove; Dining Room Table; Sideboard; 3 Burner Coal Oil Stove; Chairs; Bedstead; Cream Separator; Milk Pails, Cans, etc.

TERMS: CASH No Reserve as the farm is sold. Follow the arrows off No. 7 highway. The Edinburgh Rd. or Hespeler Rd.

HINDLEY & ELLIOTT, Auctioneers Ph. 195 Rockwood or 177J Milton

MILTON

Two people were fatally injured in a head on collision between a truck and an automobile on the Queen Elizabeth Way, Bronte Bridge Saturday. The dead included Charles Adamson, 46, of Hempstead, New York and John Hymerskl, 34, a Polish DP, of Palermo, who died in St. Joseph's Hospital at Toronto, Sunday.

Milton ran into a snag yesterday in the first game of the fourth round O.B.A. series with Caledonia. The locals dropped the initial contest by a 7 to 4 count. The second game will be played in Caledonia Saturday.—Canadian Champion.

Listen to the **ONTARIO STOCK YARDS BULLETIN** featuring **WALLY FORD** every Tuesday morning **HAMILTON 906—CHIML 718 a.m.**

CATERING BANQUETS—WEDDINGS—PICNICS, ETC. No Catering Too Small or Too Large All Inquiries Receive Prompt Attention

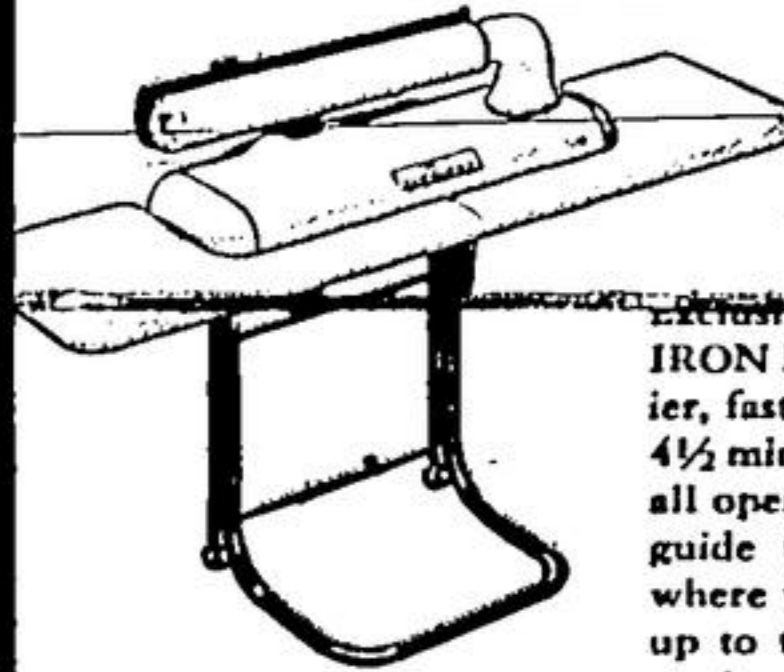
E. COLES Church St. Acton

Finest Quality Tea

"SALADA" ORANGE PEKOE

IRON IN 1/2 THE TIME WITH 1/2 THE WORK...

WITH A **Thor** AUTOMAGIC GLADIRON



- ★ NO STANDING
- ★ NO LIFTING
- ★ NO BACKACHE

IRON ROLL handles fussy things easier, faster. Irons a shirt beautifully in 4 1/2 minutes. Single knee lever controls all operations... leaves hands free to guide the work. You can wheel it where you want to use it and it folds up to the size of a kitchen stool for storing.

Come in and See It... Try It for Yourself **Manning Electric - Acton**



Your banker works

For You

AS a depositor or borrower, you value privacy in money matters. Your banker protects that privacy. Your banking transactions are not open to the eyes and ears of your competitor, your neighbor, your community.

In other words, the manager of your branch bank and his whole staff are working for you.

Contrast this Canadian way with conditions in lands where freedom is denied—where every bank is a political tool, every banker a public official working for the State! State monopoly of banking, proposed by Socialists here, would open your banking transactions to political intrusion.

SPONSORED BY YOUR BANK

Acton Fair

FRIDAY & SATURDAY **OCT. 1-2**

First Night Show

WESTERN RIDERS ROPE TRICKS
COMEDY ACROBATS HALL EXHIBITS
HIGH JUMPING HORSES

CASEY SHOWS AND RIDES ON THE MIDWAY

Admission 35c — No charge for cars First Night

Races \$300. in Purses

Livestock Exhibit and Parades
Bands --- Big Poultry Show
CASEY SHOWS -- FOUR RIDES

DANCE ON SATURDAY NIGHT IN THE TOWN HALL

E. JOHNSTON, President
C. B. SWACKHAMER, Sec.-Treas.

