

### Sunday Morning At St. Andrew's

Bible Sunday. Rev. Francis P. Chisholm in Charge

"For the word of God is quick and powerful, and sharper than any two-edged sword, piercing even to the dividing asunder of soul and spirit, and of the joints and marrow, and is a discerner of the thoughts and intents of the heart."—Hebrews 4:12.

For the children he told the story of Mary Jones, the little Welsh girl who wanted so badly to have a Bible of her own, in a day when Bibles were scarce and costly.

For 12 years she earned pennies, or half-pennies, doing errands or chores, in order to save up enough money to pay for a Bible. So far, so good; but the nearest town where any Bibles were for sale, was 25 miles away, and the only way she could get there was on her own two feet. Nothing daunted, she made the journey, only to find that all the Bibles in stock were already promised to other people. However, when the man in charge saw that her disappointment caused her to really cry, he did risk selling her a Bible, trusting that he might get another one for the previous would-be purchaser.

When the public heard her story a group of influential men organized a society for the printing of the Bible, and so the British and Foreign Bible Society came into being in 1804, which now produces and sells Bibles at the rate of 1 million copies a year, in thousands of languages. To get back to our text—

1st. "For the Word of God is quick" it is not a dead word, but a Living Word with a message for every day and every age.

2nd. It is powerful. In Genesis, Chapter 1, we read "And God said Let there be light, etc, and the world was created.

In times of crisis, like war-time, we remember how powerful was the word of Winston Churchill, and his V for victory sign.

3rd. The word of God is sharper than any two-edged sword. It cuts deeply. See Acts 9:4-6.

4th. The Word of God is a discernor of the thoughts and intents of the heart. Hebrews 4:13, "All things are naked, and opened unto the eyes of Him with whom we have to do". Isaiah 55:11. "My Word shall not return unto me void, but it shall accomplish that which I please, and it shall prosper in the thing whereto I sent it".

May this promise be fulfilled on behalf of the Bible Society campaign, this week. ELH

#### AUCTION SALE

An auction sale of Real Estate consisting of a 9 room brick veneer house with Hydro and bath. Garage and stable combined; and approximately 3 acres of land, the former Mina Morton home on Tupper Street, will be offered for sale by auction on Saturday, Nov. 16th, at 2 p.m. Terms 10% on date of sale. Mortgage terms can be arranged for balance. Immediate possession. R. J. Payne, Pontypool, Ont., auctioneer.

#### AUCTION SALE

An auction sale of Livestock, Farm Machinery, Feed, Grain, Household Furniture, etc., the property of Mrs. Wes Wright, will be held on Saturday, Nov. 9th at West Half of Lot 3, Concession 8, Manvers, (3 miles West of Highway 35, near Yalverton) at 1 p.m. sharp. No reserve. Terms cash. R. J. Payne, Pontypool, Ont., auctioneer; Ted Spenceley, clerk.

### Wins Again

At the annual banquet at Bethany of the Durham County 500 Bushel Potato Club in the Town Hall on Tuesday night, October 29th, Delbert Olan of Millbrook received the first prize for his 1957 crop, scoring 394 points with a yield of 822 bushels of potatoes to the acre, growing the Sebago variety.

For some years the first prize was a gold watch, but as Mr. Olan had previously won this award, this year he was given forty 80-pound bags of fertilizer donated by Agricultural Chemicals of Port Hope.

Norman Irwin of Bowmanville, their representative, read the citation accompanying the prize, saying Mr. Olan's successful efforts in potato growing had been outstanding in holding top place in the club for the past 3 years, and wishing him continued success in his farming efforts.

In his reply Mr. Olan stated the club had originally been formed in 1944 to promote better potato crops, their aim being to grow 500 bushels to the acre, which at first was almost beyond expectation.

"This year I averaged 822 bushels, and next year I will still be trying, and hope to reach 1,000," he said.

Second prize, a tractor umbrella, went to Albert Olan, who grew the same variety as his father,

with a yield of 545. The award was presented by Ernest Cavano, with the compliments of the John Deere Co. Mrs. Albert Olan also received a metal-mounted silver bake dish, which was presented by R. E. Goodin on behalf of The T. Eaton Co.

Third prize went to Melville Strong, one-half ton of potato fertilizer from Canadian Industries Ltd. Mr. Strong's crop of Chippewas yielded 498 bushels per acre.

Fourth prize went to Ernest Cavano, one-half ton of fertilizer from United Co-operatives of Ontario. Mr. Cavano grew Sebago with his crop averaging 438 bushels per acre.

Fifth and sixth prizes were received by brothers, Charles and Earl Weatherill, who on adjoining farms both specialized in the Sebago variety, and had a yield of 462 and 440 bushels respectively.

#### Entered Into Rest

Brown, John Wesley.—Suddenly, on Tuesday, November 5th, 1957, at his home, Ida, Ontario, John Wesley Brown, in his 14th year. Dearly beloved son of Mr. and Mrs. Stanford Brown, and sisters Alice and Ruth, both at home. Resting at the Funeral Home of J. W. Haw, King Street East, Millbrook. Service this afternoon (Thursday) at 2 o'clock, The Rev. Francis P. Chisholm officiating. Interment in Gardner's Cemetery.

### Bowling

#### League Standing Nov. 1st.

1. West Enders ..... 29
2. Bankers ..... 23
3. Bucks Bombers ..... 27
4. Coulter ..... 25
5. Crew Cuts ..... 25
6. Bee Aze ..... 25
7. Bob Cats ..... 21
8. Zion Liners ..... 21
9. Mad Kaps ..... 19
10. Rink E Dinks ..... 19
11. Rustlers ..... 18
12. Pep R Uppers ..... 17
13. Racketeers ..... 16
14. Industrials ..... 15
15. Baillieboro ..... 15
16. Murphys ..... 13
17. Ball Twisters ..... 12
18. Three Dots ..... 12

#### Ladies' High Single

E. Powell..... 310

#### Ladies' High Triple

M. McDowell ..... 764

#### Men's High Single

A. Wright ..... 303

#### Men's High Triple

A. Wright..... 698

#### W. I. MEETING

The Women's Institute will hold its regular meeting on Saturday, November 9th, at 2 p.m., at the home of Mrs. Harry Armstrong. The roll call—"My favourite apple recipe".



DON'T MISS THE ROYAL AGRICULTURAL WINTER FAIR! SEE THE HORSE SHOW STARRING SEVEN INTERNATIONAL JUMPING TEAMS... SEE MODERN FARM EQUIPMENT... THE SHEEP AND SWINE SHOW... "FASHIONS IN WOOL" PAGEANT... FRUIT AND VEGETABLE DISPLAYS... LIVESTOCK AUCTIONS. THERE'S FUN FOR EVERYONE DURING INTERNATIONAL YEAR AT THE ROYAL! THE COLISEUM - TORONTO

GENERAL ADMISSION - ADULTS-75¢ - CHILDREN-25¢

NOV. 15-23

"INTERNATIONAL YEAR"

#### NOTICE

The regular monthly meeting of St. Andrew's United Church W.M.S. will be held on Wednesday, November 13th, in the Sunday School room.

A good attendance is requested and visitors are welcome.

### The Churches

SUNDAY, NOVEMBER 10th.

#### Pentecostal Assemblies of Canada

Zion Pentecostal Church MILLBROOK Sunday Services

10 a.m.—Sunday School  
11.00 a.m.—Worship Service.  
7.30 p.m.—Great Evangelistic Service.

Starting Oct. 6 through Oct. 27 Sunday School Enlargement Campaign

Special Services three times on Sunday. Special programs for young and old. If you do not attend Sunday School you are welcome to come to ours. Come and you will really enjoy yourself at these great October Sunday School Services. For transportation call 276 Millbrook. Pastor, M. Case. Minister.

#### THE UNITED CHURCH

Millbrook Pastoral Charge Rev. Francis Chisholm, M.A., B.D., Minister.

Mr. Henry Hayek, Organist and Choir Director. "O Come, Let Us Worship".

Remembrance Sunday St. Andrew's

10.00 a.m.—Sunday School.  
11.15 a.m.—Service of Remembrance "The Unknown Soldier".

#### Cavan

9.45 a.m.—Service of Remembrance. Sunday School.

#### PREBYTERIAN

Centreville and Millbrook Rev. W. H. Heustin, B.A., Minister.

Rev. Walter Patterson, M.A., Minister Emeritus.

#### Grace Church, Millbrook

10.45 a.m.—Church School.  
3.00 p.m.—Divine Worship.

#### Centreville Church

South Monaghan Mrs. G. Muspratt, Organist.  
10.00 a.m.—Church School  
11.00 a.m.—Divine Worship.

Anglican Church of Canada PARISH OF CAVAN Rev. H. C. Quinn, B.A., Lth. Rector.

St. John's, Ida 9.45 a.m.—Morning Prayer.  
Christ Church, Baillieboro

11.15 a.m.—Holy Communion St. Thomas' Church, Millbrook

7.00 p.m.—Evening Prayer

one grease for all applications hot or cold...wet or dry...



FARM-TESTED

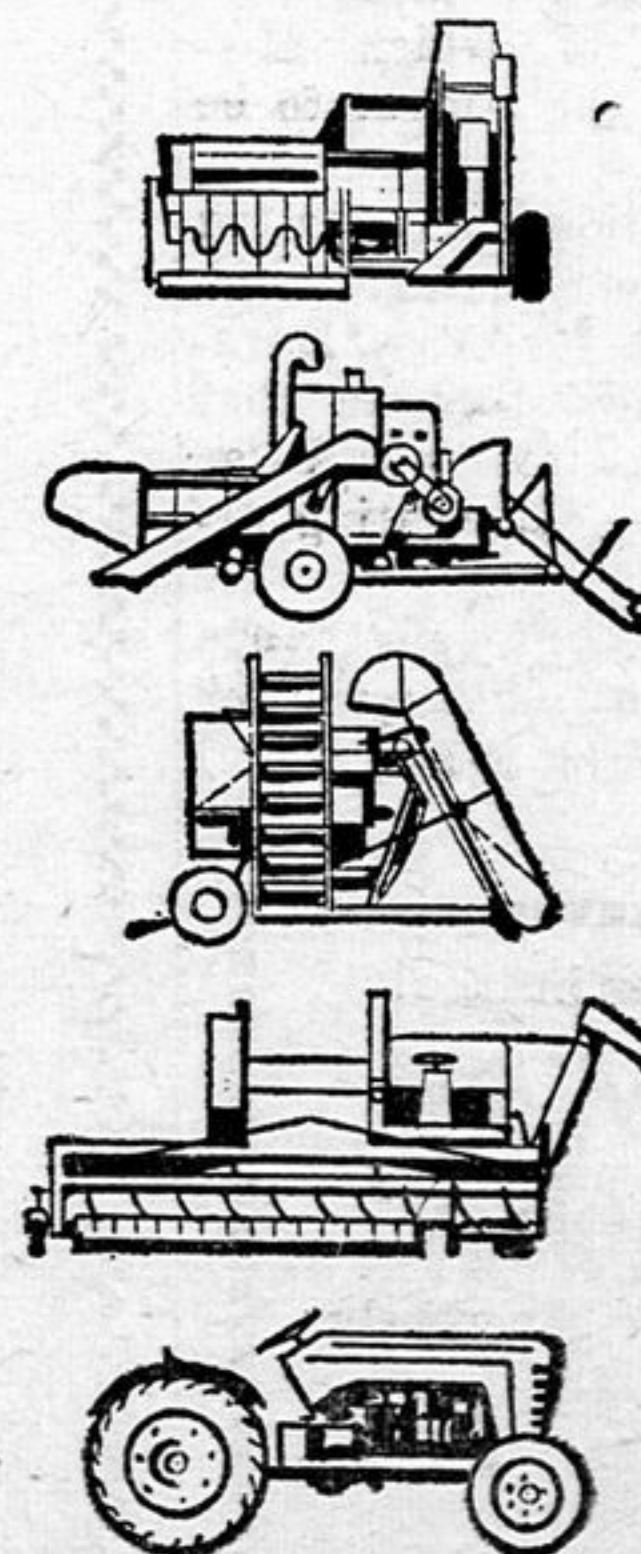
## ALL PURPOSE B-A FARM GREASE

All Purpose B-A Farm Grease gives long-lasting protection to all points listed in the Service Section of Tractor Manufacturers' Handbooks. These points include Chassis, Axle Pivot Pin, King Pins, Tie Rods, Drag Links, Starting Crank, Fan, Fan Bracket, Clutch Release, Clutch Bearing, Clutch Shaft. B-A Farm Grease is highly recommended as a wheel bearing grease that's right for tractors, cars and trucks. B-A Farm Grease has been fully tested to give farm machines the kind of rugged protection they need for all-weather, all-season service. Get in touch now with your neighbourhood B-A Distributor for your supply of farm-tested All Purpose B-A Farm Grease.



Order from your neighbourhood B-A distributor.

THE BRITISH AMERICAN OIL COMPANY LIMITED



65106

### CLERK'S NOTICE OF POSTING OF VOTE

Voters List 1957 Town of Cavan

Notice is hereby given that I have transmitted or delivered to the persons mentioned in Section 7 of the Ontario List Act, the copies required of the List pursuant to said Act, of persons appearing by revised Assessment of the Municipality of the Town of Cavan to be entitled at elections for members of the Legislative Assembly at Municipal Elections; the said list was first posted up at my office in Millbrook, Ontario, on October 26 and remains there for inspection.

Zella M. Bentley

### CLERK'S NOTICE OF POSTING OF VOTE

Voters List 1957 Town of South Monaghan

Notice is hereby given that I have transmitted or delivered to the persons mentioned in Section 7 of the Ontario List Act, the copies required of the List pursuant to said Act, of persons appearing by revised Assessment of the Municipality of the Town of South Monaghan to be entitled to vote at elections for members of the Legislative Assembly at Municipal Elections; and that the said list was first posted up at my office at South Monaghan, Ontario, on October 31 and remains there for inspection.

J. E. Robinson

### CLERK'S NOTICE OF POSTING OF VOTERS

Voters List 1957 Village of Millbrook, County of Durham

Notice is hereby given that I have transmitted or delivered to the persons mentioned in Section 7 of the Ontario List Act, the copies required of the List pursuant to said Act, of persons appearing by revised Assessment of the Municipality of Village of Millbrook to be entitled at elections for members of the Legislative Assembly at Municipal Elections; and that the said list was first posted up at my office at Millbrook, Ontario, on Saturday, November 2, 1957, and remains there for inspection.

T. W. Belcher

### CARLEY, STANDISH, CHISHOLM & LECH

Barristers and Solicitors 425 Water Street PETERBOROUGH, ONT. T. J. Carley Q.C. (1896) R. O. Standish Q.C. T. E. Clarke B.A. R. H. Carley B. Com. W. C. Lech B.A.

### Dead Stock Removal

HIGHEST PRICES PAID

24-Hour Service

PHONE COLLECT Peterborough 2-2080 Cobourg 1787

### Nick Peco

PROPRIETOR

### JOHN PAYNE

Pontypool — Ontario Licensed Auctioneer. District of York County, is now available to conduct sales anywhere in Ontario. Your patronage respectfully solicited.