

Notice

day, Sept. 25, representative Britain every further notice

To Rent

15, Con. 4, barns, good ber, 3 miles from Man-

FOR SALE

Good barn, some foundation; feet for hay and hog pen, etc.

NORTH HALF

handers, contain cleared. Con-

LOT 10, CON. 1

black mulley cow, suitable re-

QUANTITY OF DRY

edar. Suitable James Bird,

PETERBOROUGH

lake. Reward. A. The Fort. Vic-

LOTS 29, CON.

balance in ranch Fenelon Falls, and pool and post-off-

100 ACRES

12, con. 4, Mariposa and pass-

in Sale

ERTY IN TOWN-ARIPOSA.

for Sale

of Dalton offers dentures: \$600-

istrict of West

toria

MUSIC. MISS NELL M. BROWN, A.T.C.M., teacher of Piano and Theory.

Physicians. DR. J. McALPINE—Corner William and Colborne sts., Lindsay.

DR. F. BLANCHARD BRADUATE TORONTO UNIVERSITY, CORONER FOR COUNTY OF VICTORIA.

Dentistry. DR. H. A. NESBITT, L.D.S., D.D.S., Dentist, graduate of the Royal College of Dental Surgeons of Ontario.

DR. GROSS, Dentist, Lindsay. Member Royal College of Dental Surgeons, Ont.

DR. POGUE, Dentist, Office nearby opposite the post office.

DR. F. A. WALTERS, Dentist, Lindsay. Honor graduate of Toronto University and Royal College of Dentistry.

DRS. NEELANDS & IRVINE, Dentists, members of the Royal College of Dental Surgeons.

Barristers, etc. LEIGH R. KNIGHT, BARRISTER, Solicitor and Notary Public.

G. H. HOPKINS, K.C., Barrister, Solicitor, Notary Public, &c.

STEWART & O'CONNOR, Barristers, Notaries, etc.

MOORE & JACKSON, Barristers, etc., solicitors for the Canada Bank of Commerce.

LEIGH R. KNIGHT, Barrister, Solicitor, Notary Public, representing Waterloo Mutual Fire Insurance Co.

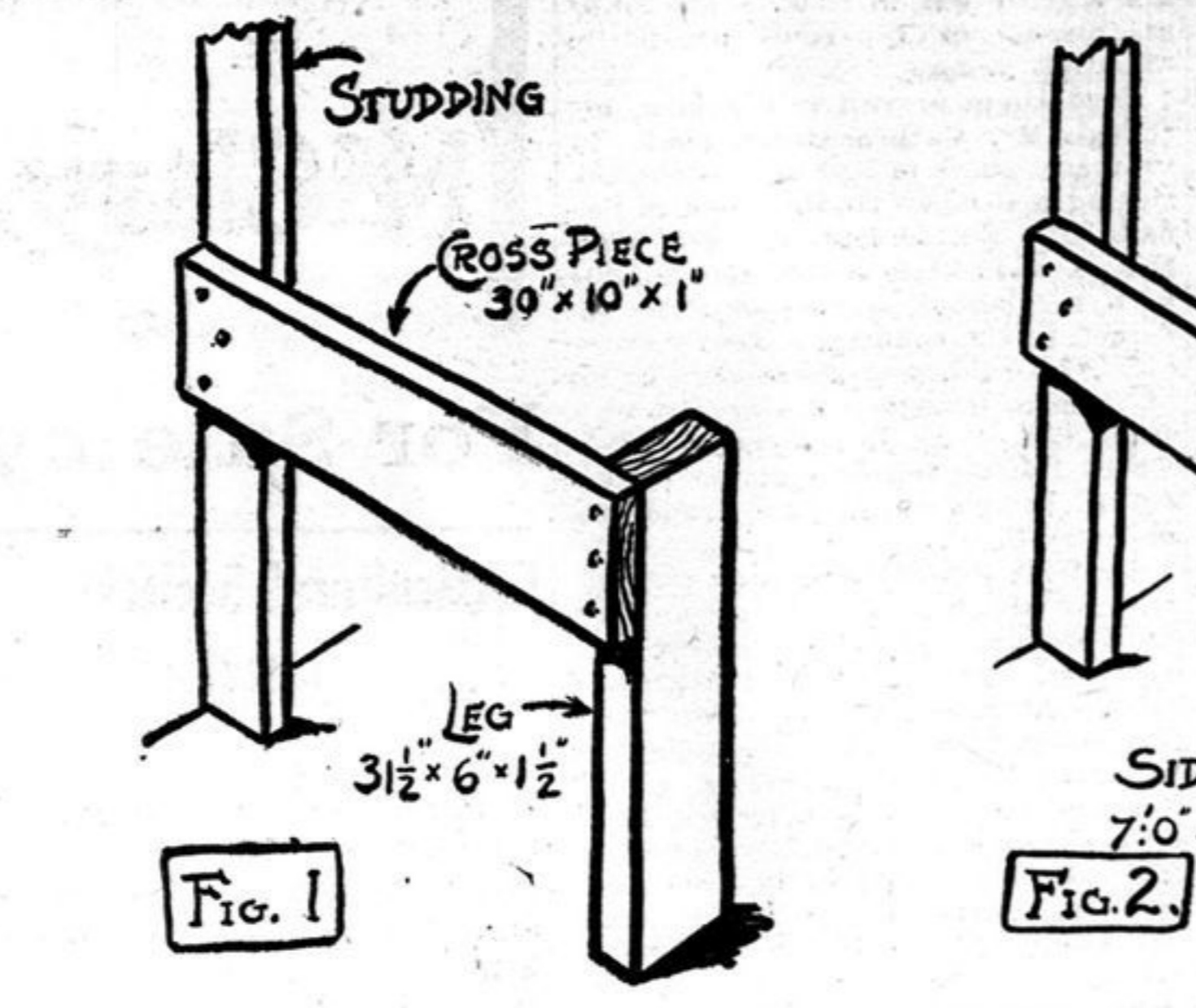
McLAUGHLIN, PEEL & FULTON, Barristers, Solicitors, Notaries.

Money to Loan. J. B. WELDON, Mariposa township Clerk, Oakwood, Fire Insurance Agent.

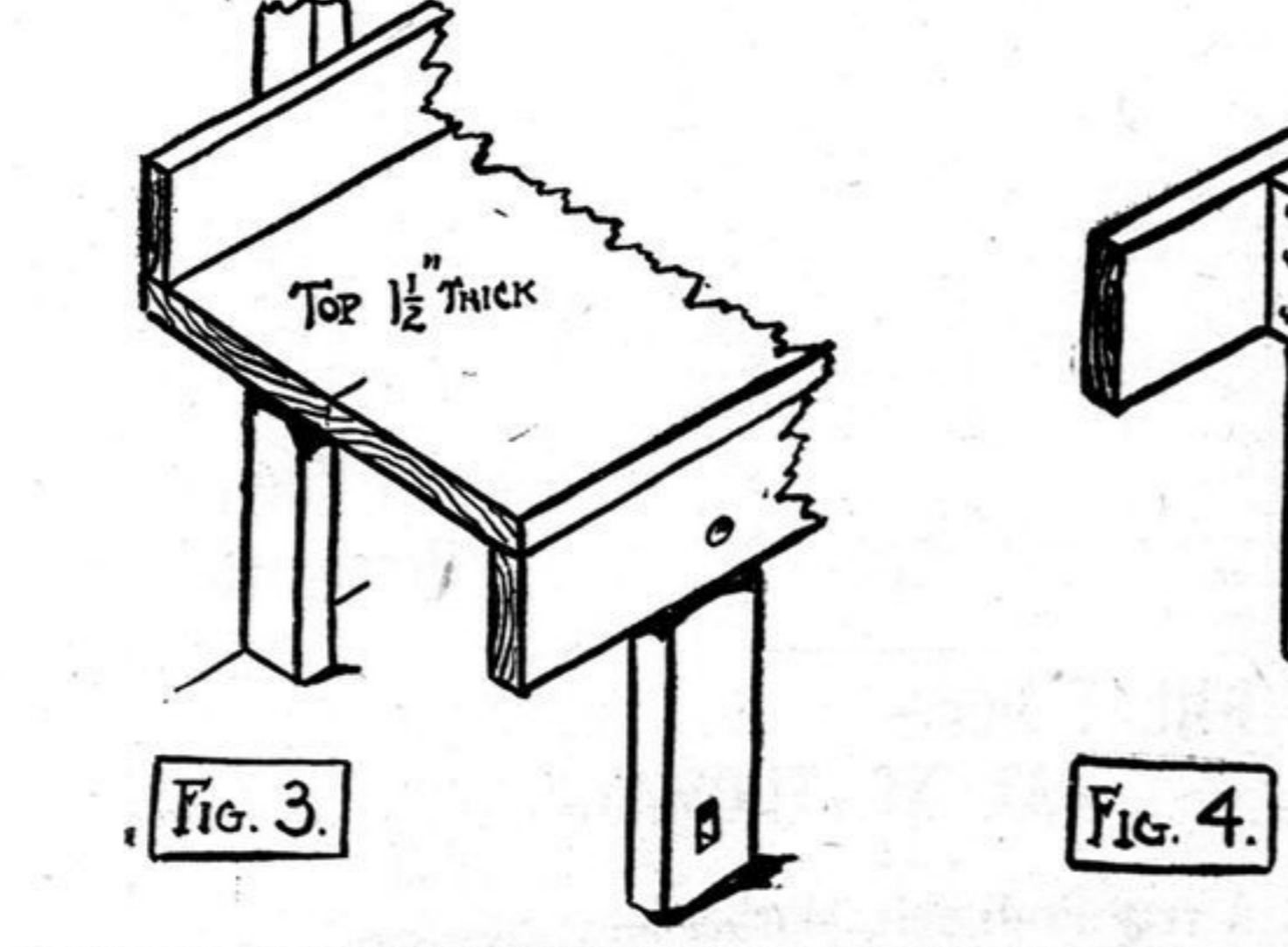
THE UNDERSIGNED is prepared to loan money on Farm, Town and Village Property at very lowest rates of interest.

AGRICULTURAL DEPARTMENT (By Student of Agriculture)

THE FARM WORKSHOP. Carlyle says, "Man is a tool-using animal—without tools he is nothing, with tools he is all."



his very life depends on those crude tools, and he spends much time trying to improve them. Centuries roll by, we find a great change has taken place.



Go into the small town and look for the old style carpenter or blacksmith. In most cases you will look in vain.

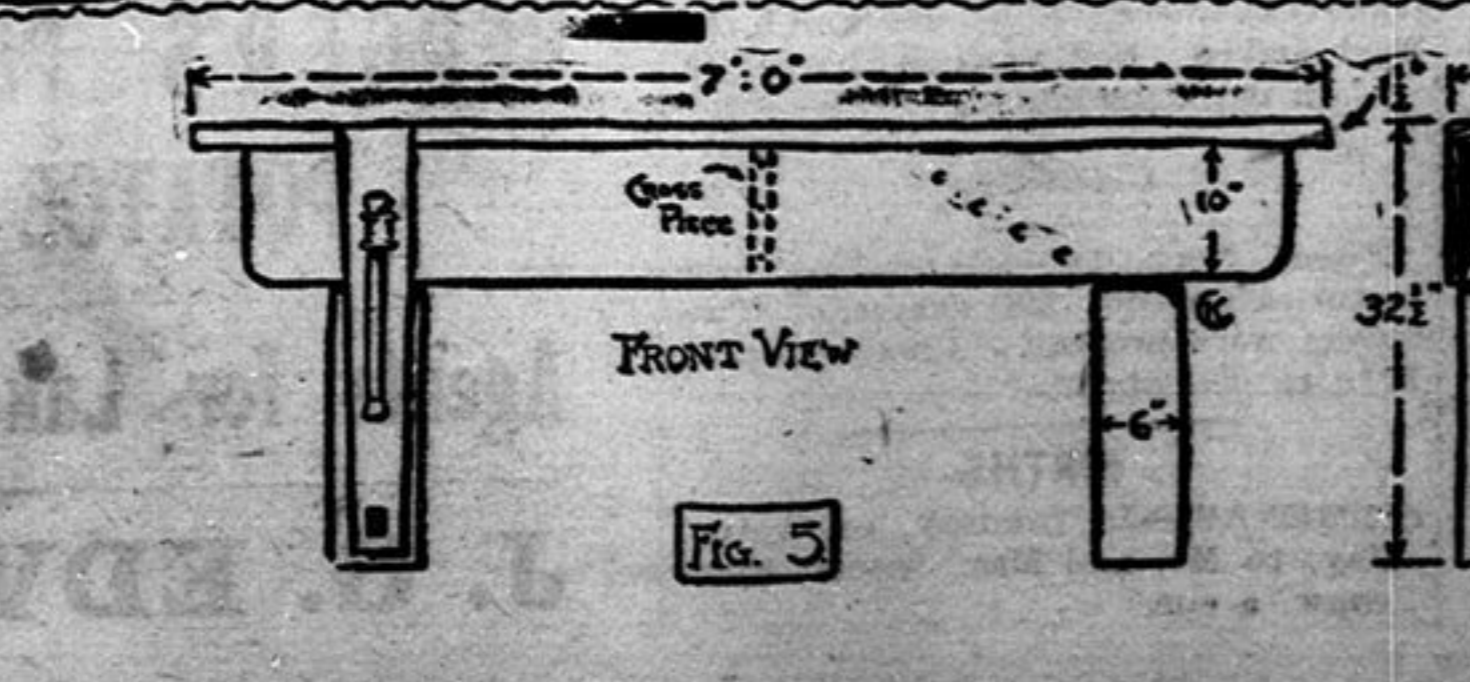


Table listing tools and prices: Bench or breast drill 3 50, Cold chisels—1-inch 15, 1 1/2-inch 15, 2-inch 15.

To many people the question of a forge on the farm is a new one, but with the introduction of the small fan-blower, an efficient but cheap forge can now be bought.

FORGING EQUIPMENT. Forge \$10 00, Anvil, 50-lb. 6 50, Hammer, Ballpens, 1 1/2 lb. 50.

TOOLS FOR WOOD WORK. 1 rule two-foot, four fold 15, 1 knife, fixed blade 35, 1 hand saw, 5 point 1 50.

LALL FAIRS. Cobden, Sept. 24, 25, Colborne, Oct. 5 and 6, Toronto Industrial, Aug. 29, Sept. 14.

Zam-Buk Cures a Case Which for Two Years Had Defied Every Remedy Tried. A FARMER'S GRATEFUL TESTIMONY.

It is local news they want in a local paper and they will have "all the news fit to print."

ELDON T.P. FATHERS TURNED DOWN Mr. J.J. Sloan New Collector For Mariposa

Mariposa council proceeded Monday, Sept. 14, 1908. The members were all present with the exception of the Reeve, who was detained for a short time.

Mr. Washington reported that in his estimation the drain was large enough to take all the water. He advised the council to place a guard rail on the side of the road.

Below are the market prices as they rule in Lindsay market. The prices have been carefully revised and corrected, and will appear weekly.

THE CAUSE OF SORE FEET. Examine them carefully and you'll probably find corns. Whether hard, soft or bleeding, apply Putnam's Corn Extractor.

THE PICKLE SEASON. According to reports, not only is this summer one of the most successful in its garden produce, but these passing two weeks mark the heyday of market prosperity known as the pickle season.

It Will Pay You. WHEN IN TOWN TO CALL at Anderson, Nugent & Co's and inspect their new stock of HIGH-CLASS FURNITURE.

TEACH YOURSELF HOW FOR YOUR OWN—YOUR CHILDREN AND YOUR FRIENDS.

Disseas'd parts of the air passages can best be reached by dry air. The bronchial tubes and lungs can only be reached by dry air.

WEEKLY MARKETS. (From Saturday's Daily). There was a good market this morning. There was all kinds of stuff for sale and buyers galore.

RESOLUTIONS PASSED. Motion by Messrs. Michael and Swain that the report of Mr. Varcoe regarding the settlement between Mr. Davidson and Mr. North be adopted.

THE SHEFFIELD CHOR. TWO HUNDRED IN NUMBER COMING TO LINDSAY. What the Mendelssohn Choir, of Toronto is to America, the Sheffield Choir, of England, is to Europe.

THE BAKER LUMBER CO., LIMITED. Coal and Wood Lumber, Shingles, Etc. Cement and Sash Factory Goods.

THE LINDSAY LUMBER CO. (Sadler & Fee). We have secured the agency for "Ruberoid Roofing".

THE SHEFFIELD CHOR. TWO HUNDRED IN NUMBER COMING TO LINDSAY.

What the Mendelssohn Choir, of Toronto is to America, the Sheffield Choir, of England, is to Europe. One can readily imagine how delighted the people on Lindsay would be if the announcement were made that the choir were to visit Lindsay.

Below are the market prices as they rule in Lindsay market. The prices have been carefully revised and corrected, and will appear weekly.

RESOLUTIONS PASSED. Motion by Messrs. Michael and Swain that the report of Mr. Varcoe regarding the settlement between Mr. Davidson and Mr. North be adopted.

THE SHEFFIELD CHOR. TWO HUNDRED IN NUMBER COMING TO LINDSAY. What the Mendelssohn Choir, of Toronto is to America, the Sheffield Choir, of England, is to Europe.

THE BAKER LUMBER CO., LIMITED. Coal and Wood Lumber, Shingles, Etc. Cement and Sash Factory Goods.

THE LINDSAY LUMBER CO. (Sadler & Fee). We have secured the agency for "Ruberoid Roofing".

Absolutely 'First-Class' in all Departments. ELLIOTT Business College. TORONTO, ONT.

It Will Pay You. WHEN IN TOWN TO CALL at Anderson, Nugent & Co's and inspect their new stock of HIGH-CLASS FURNITURE.